



Figure 2: Temperature sensor

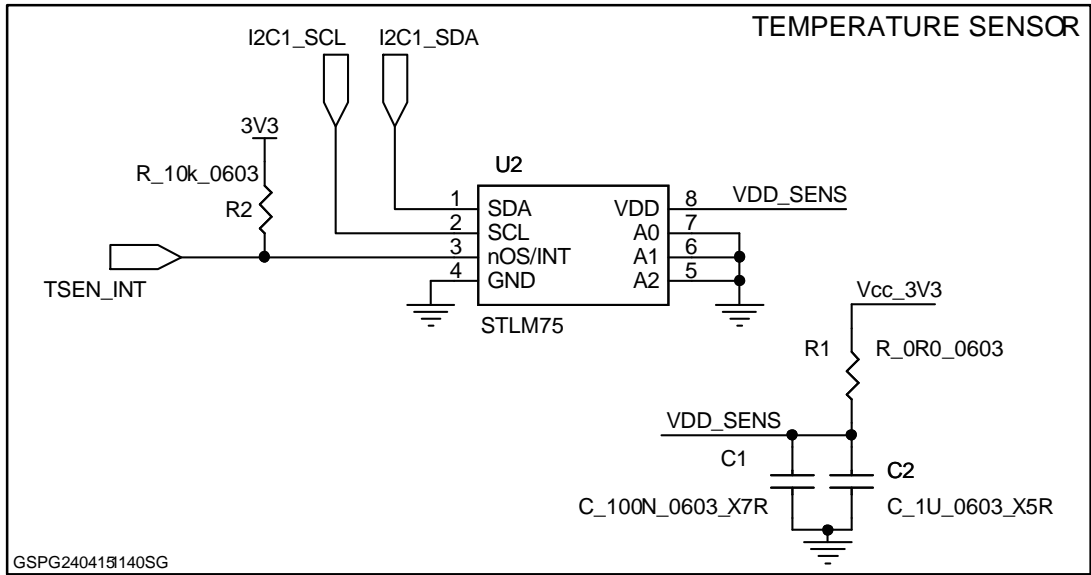


Figure 3: Accelerometer

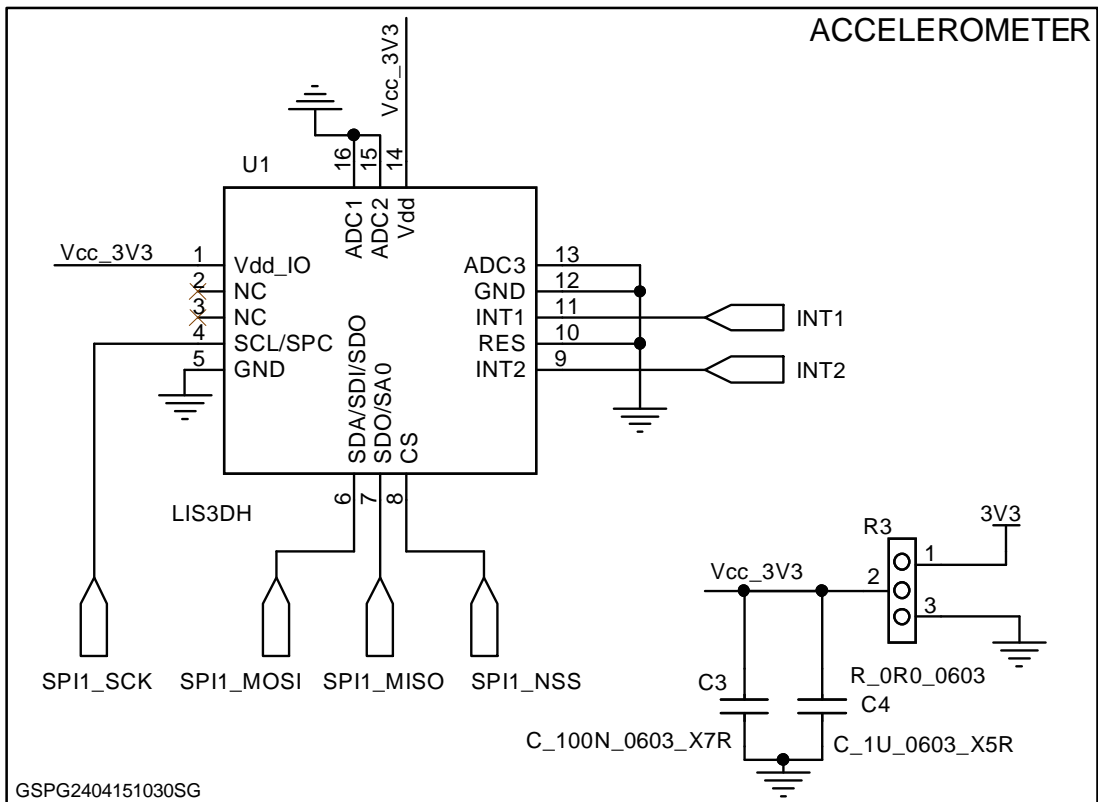
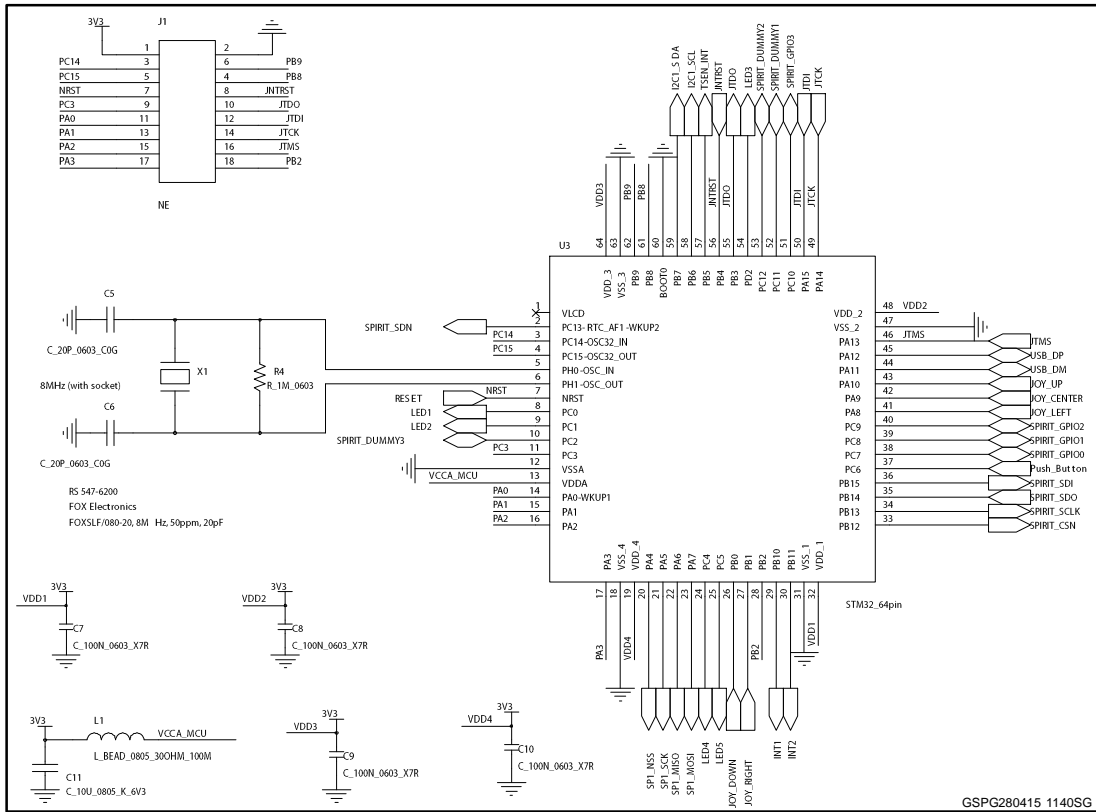


Figure 4: MCU



GSPG280415 1140SG

Figure 5: JTAG / SWD

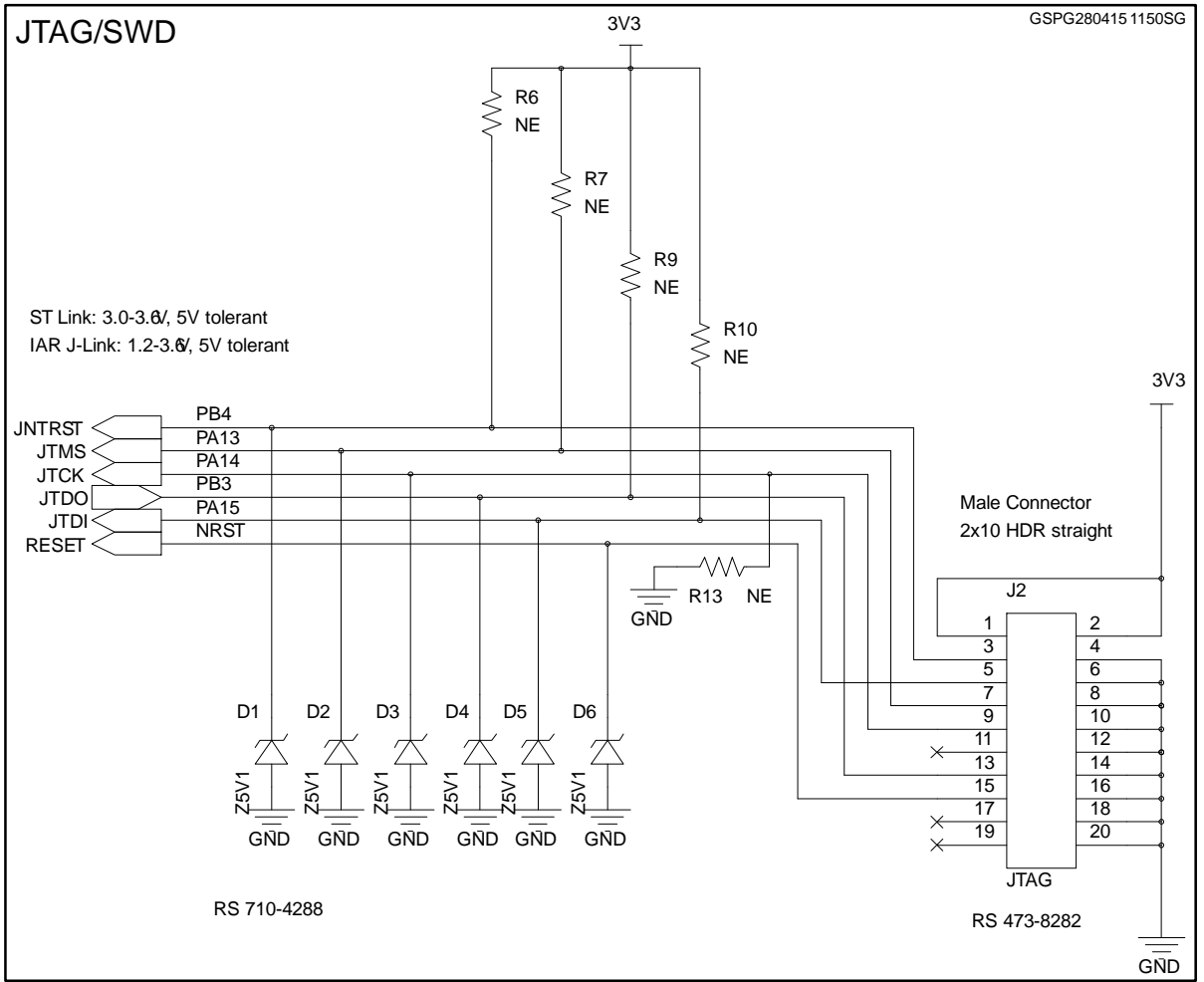
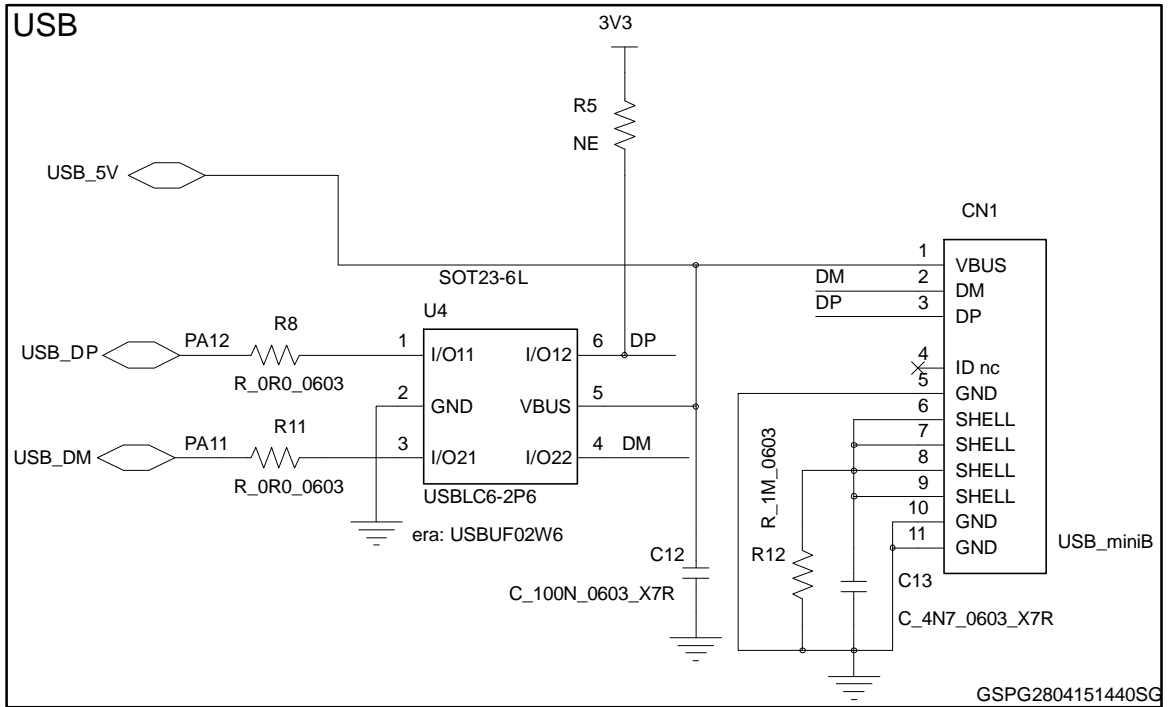
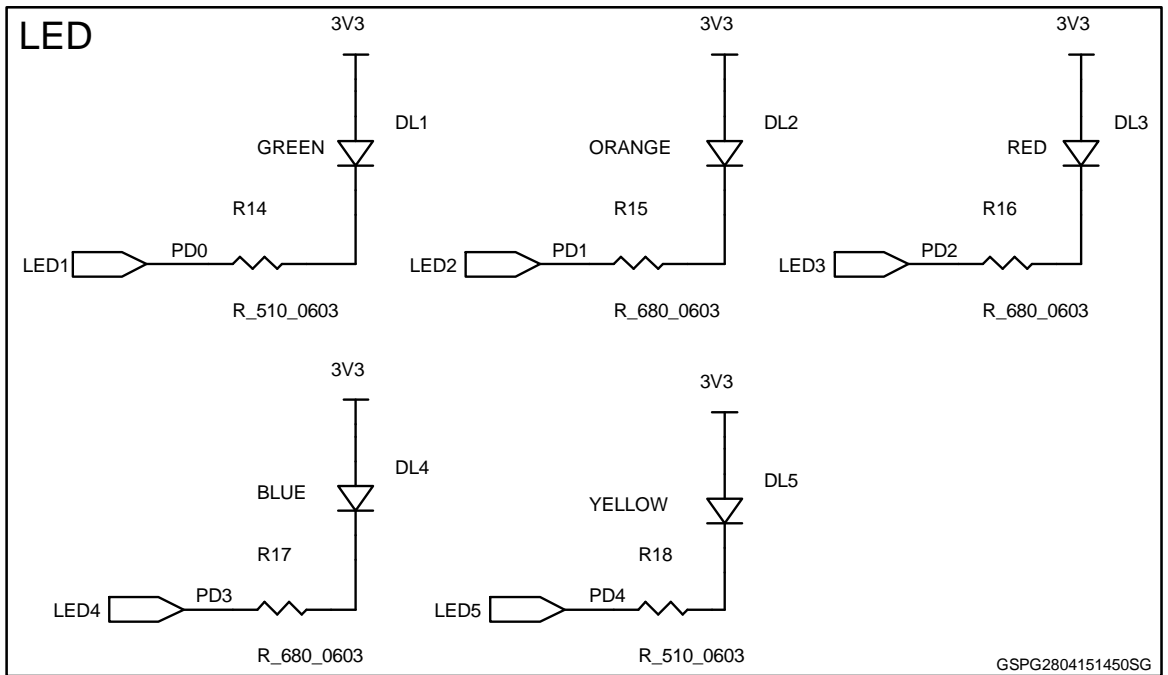


Figure 6: USB



GSPG2804151440SG

Figure 7: LED



GSPG2804151450SG

Figure 8: Power supply

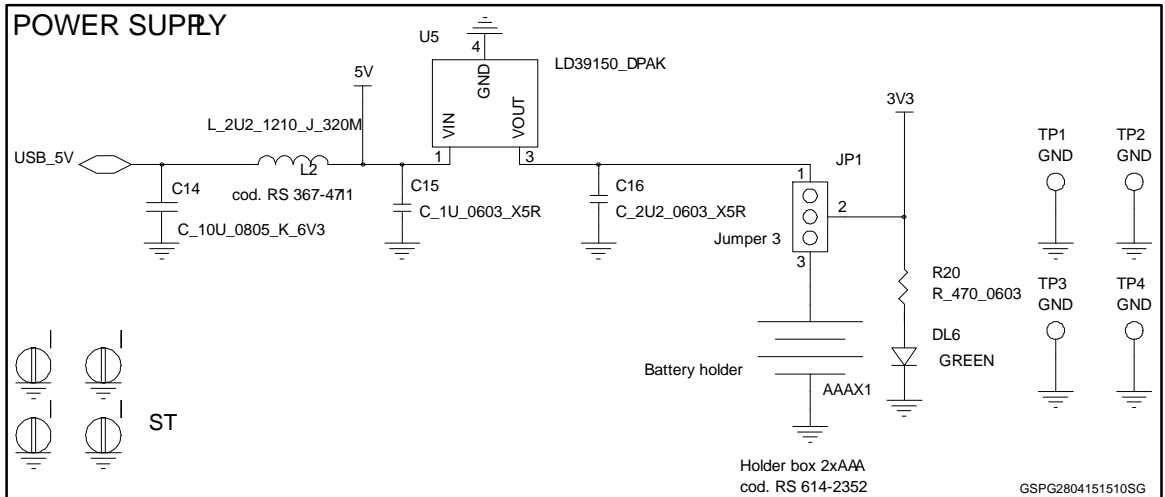


Figure 9: Button and joystick

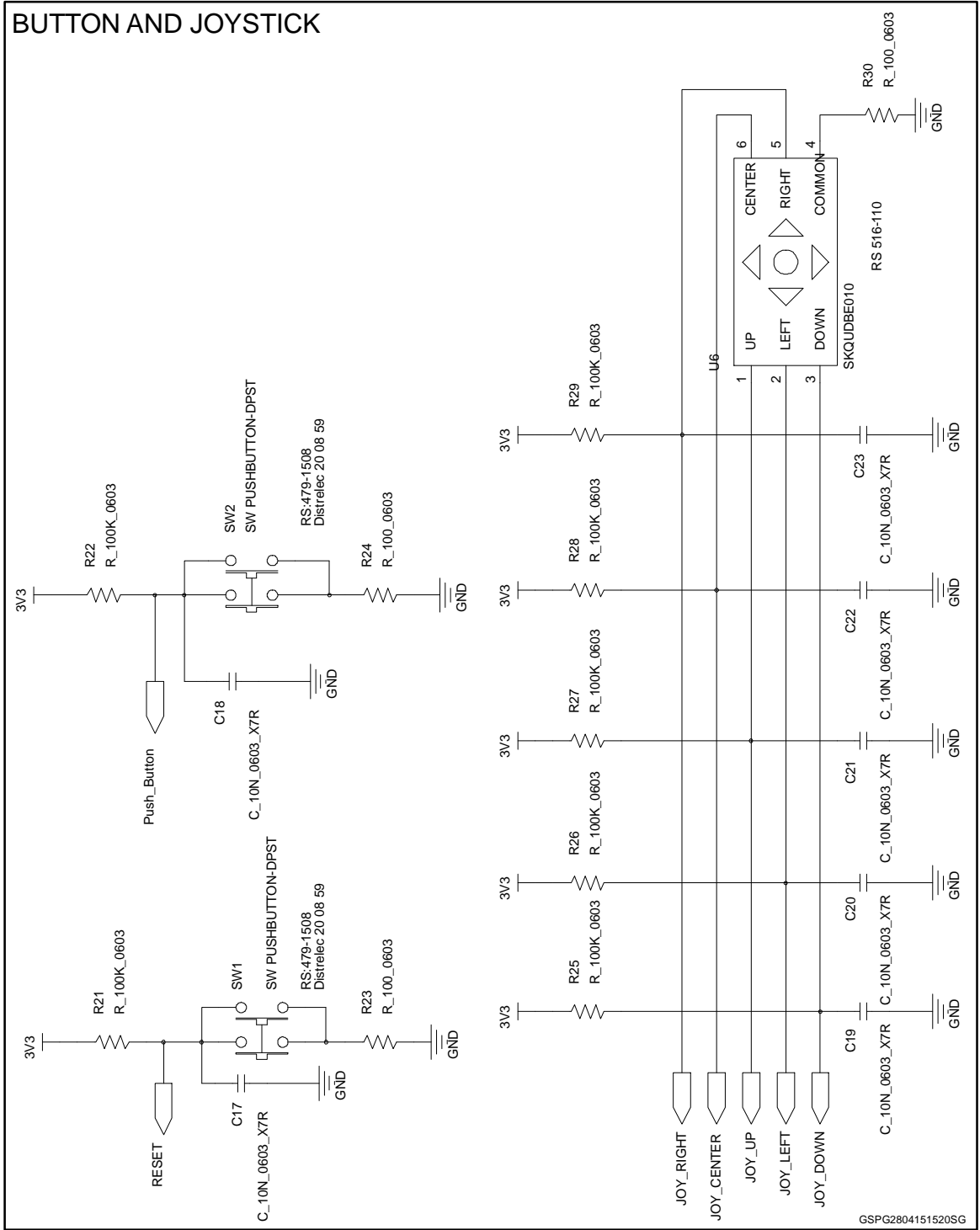


Figure 10: Daughterboard connectors

