

Figure 3. Jumpers to simulate open circuit

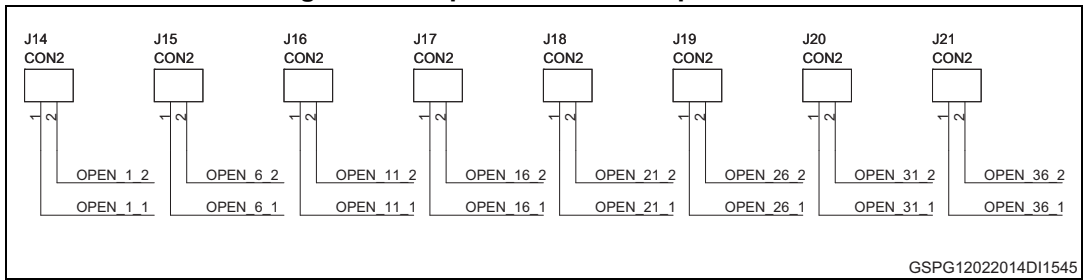


Figure 4. Jumpers to simulate short circuit

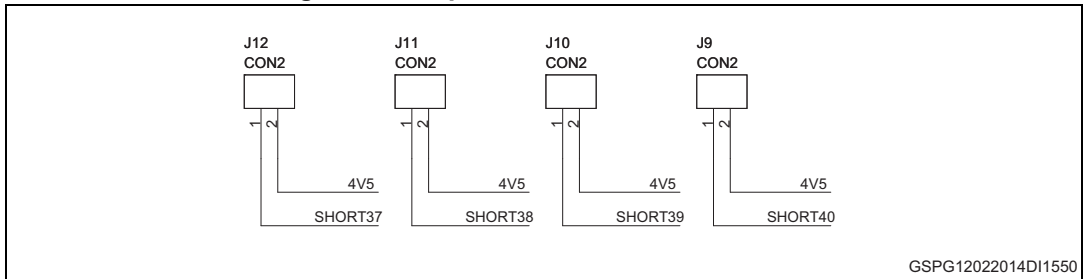


Figure 5. Connector

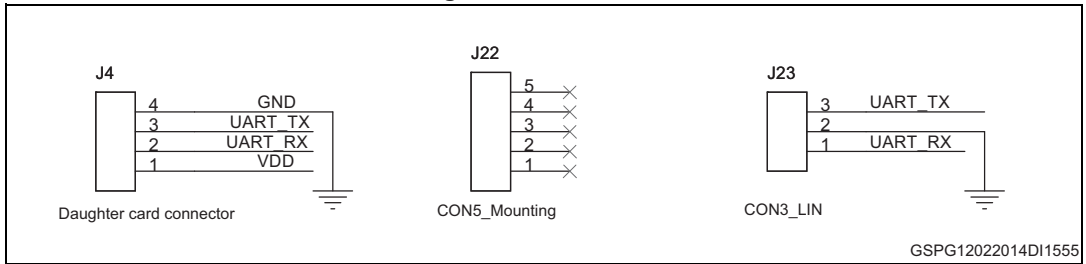


Figure 6. LED driver section

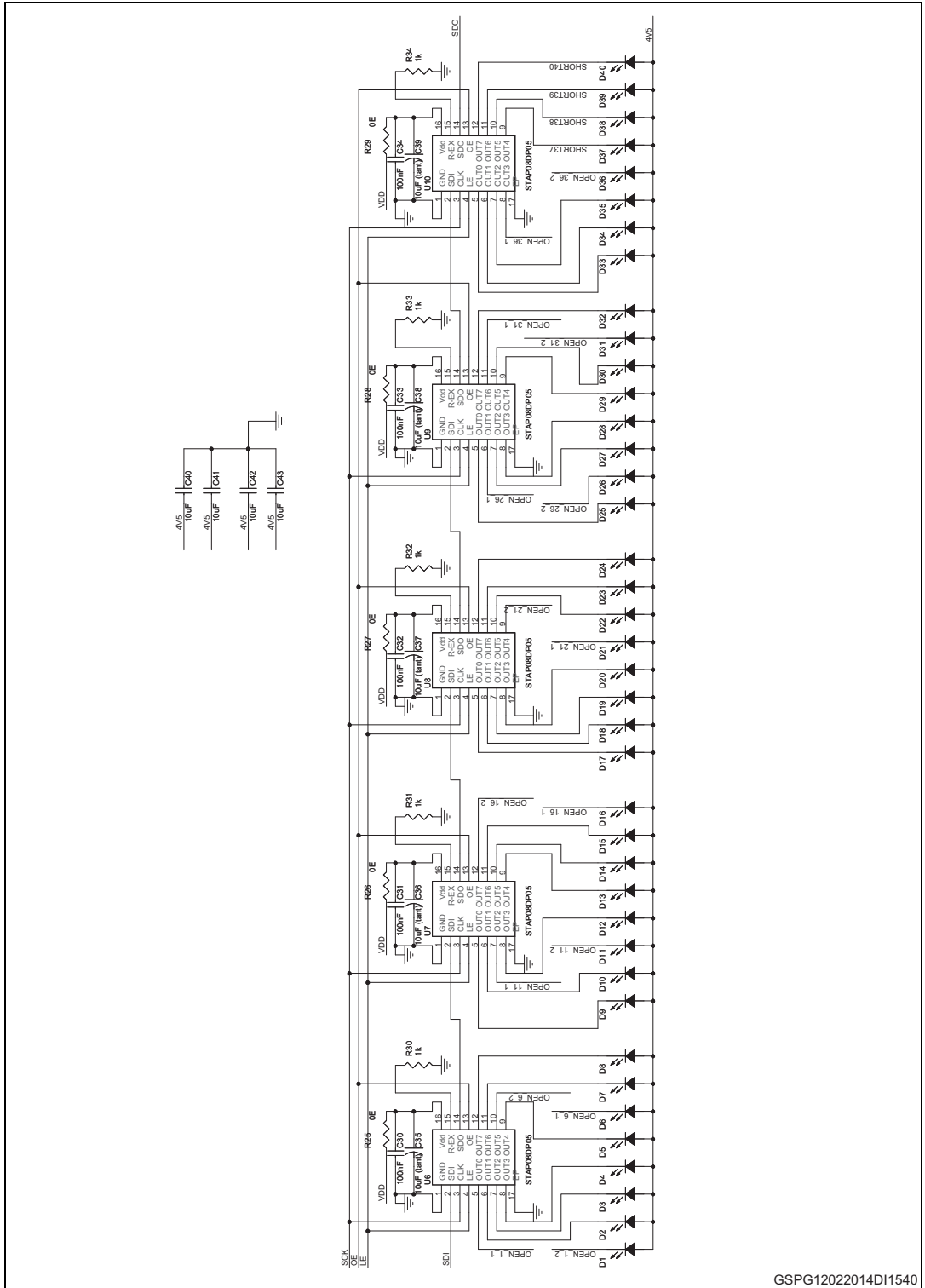


Figure 7. USB section

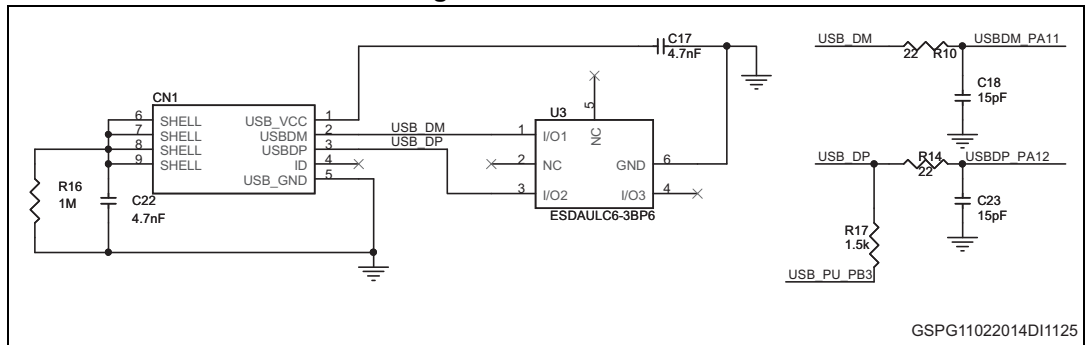


Figure 8. STM32 section

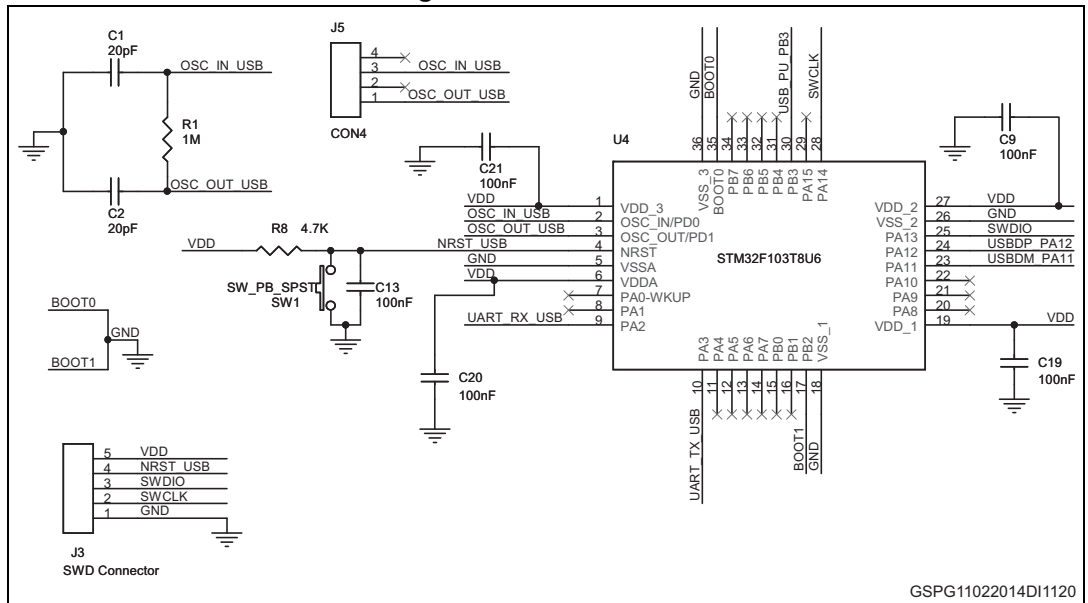


Figure 9. USB_UART connector

