

1. If CT is 2500:1, the value of R11,R13 and R25 is 6.8.
1. If CT is 3000:1, the value of R11,R13 and R25 is 8.2.
3. L_SYN is high when power on.

Metrology Part

LED Part

3.3V Power Supply

Metrolog MCU

6

5

4

3

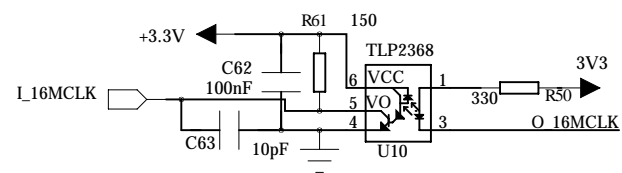
2

1

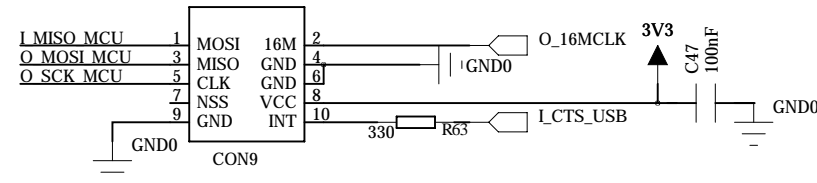
D

D

Isolation 16M clock



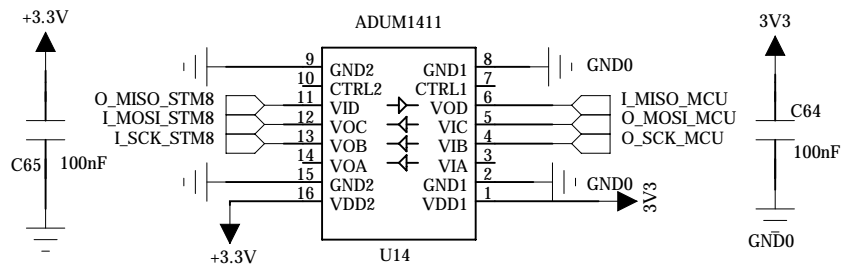
Main MCU port



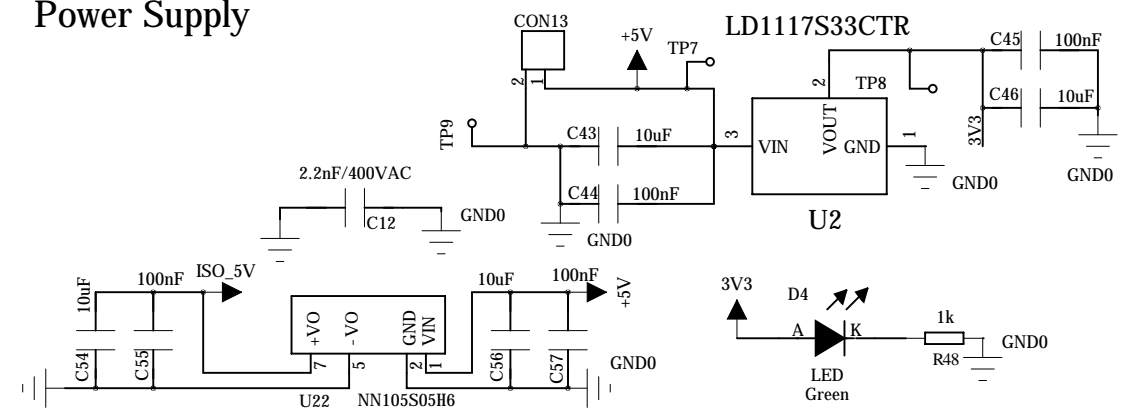
C

C

Isolation SPI



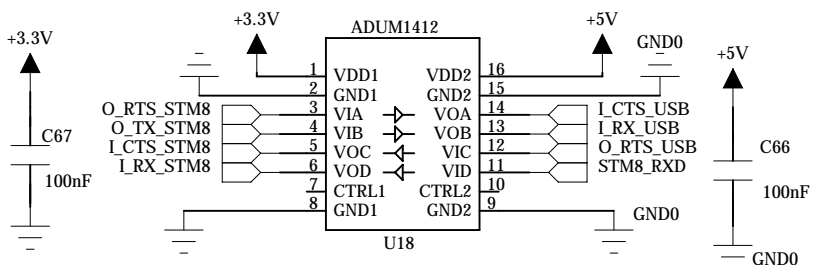
Power Supply



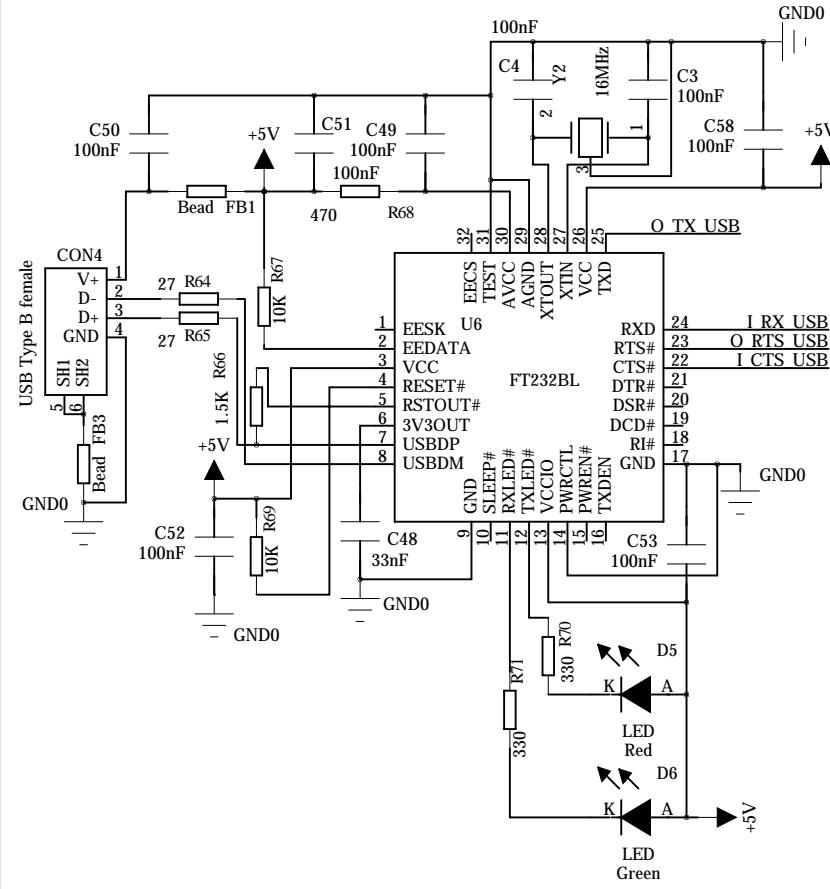
B

B

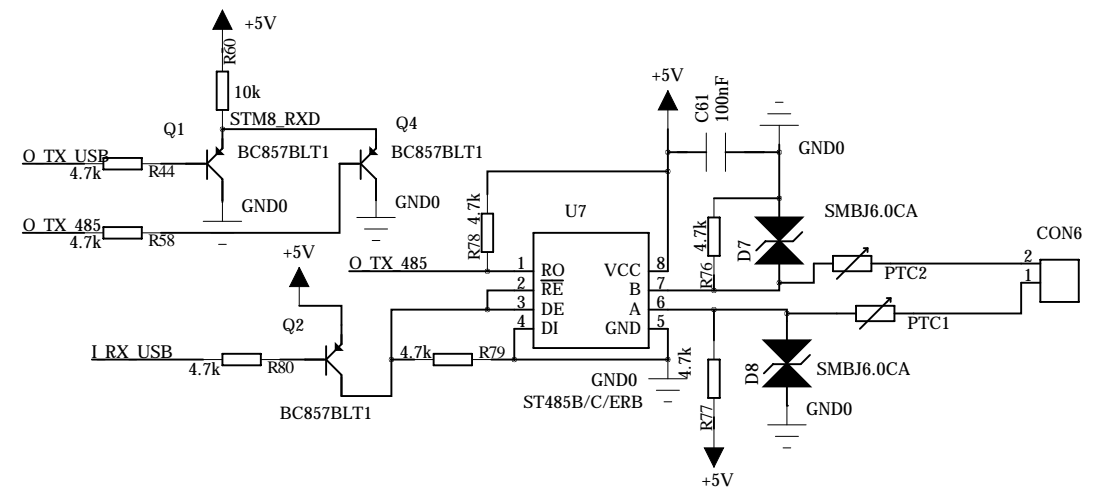
Isolation USB and RS485



USB Part



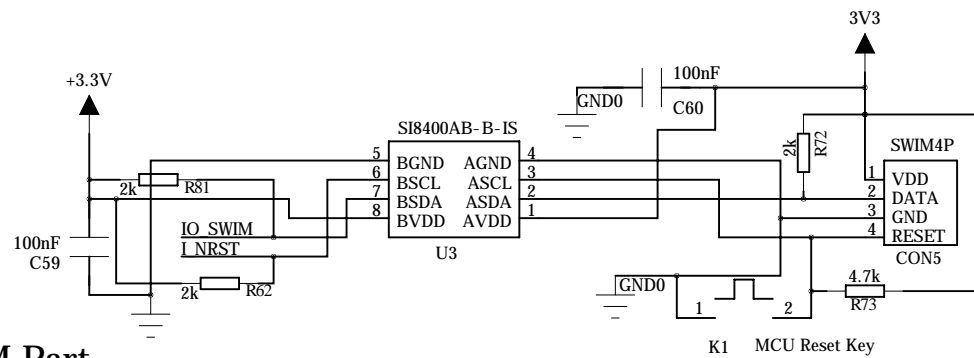
RS485 Part



A

A

Isolation SWIM Part



LED pulses output

