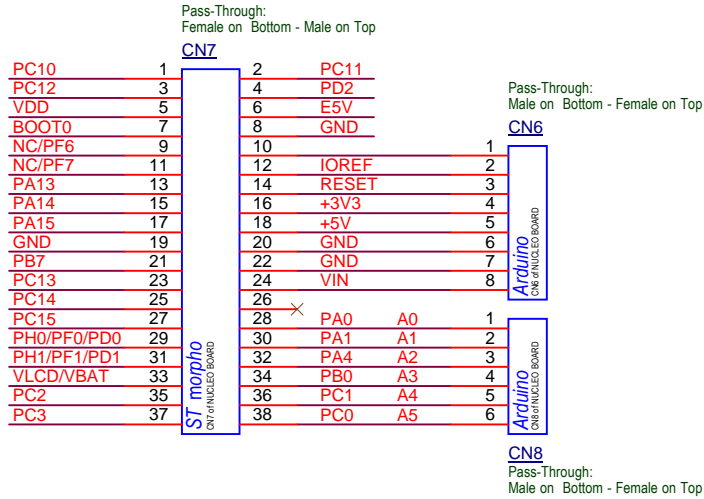
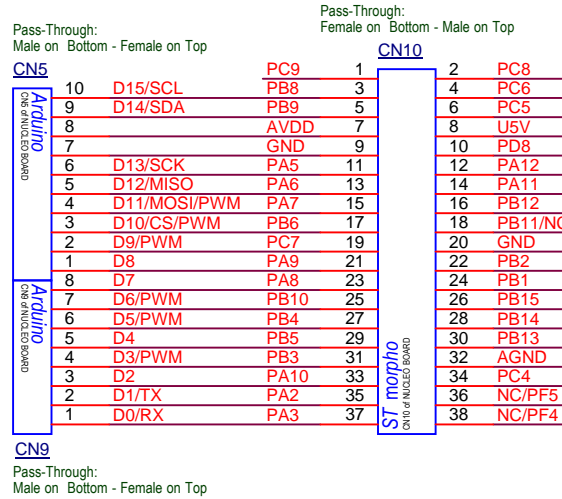


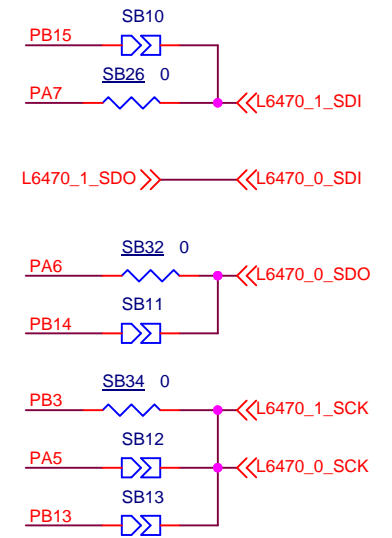
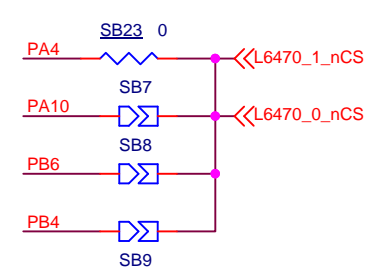
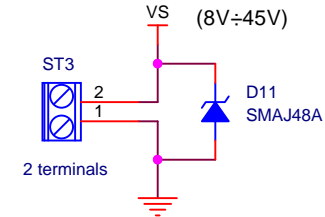
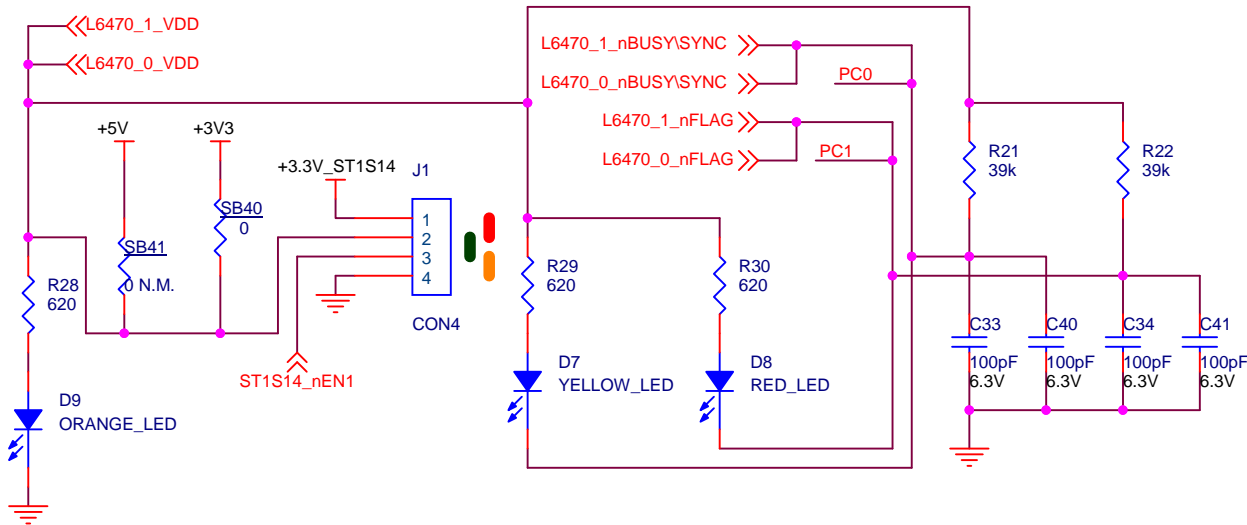
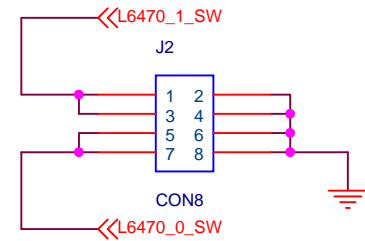
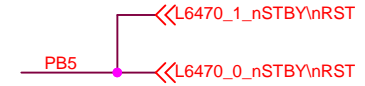
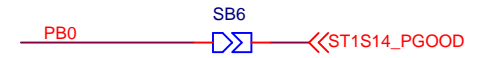
STM32 NUCLEO CONNECTORS



SX side



DX side



- 2-3:
- ST1S14 is inhibited
 - VDD is provided by +3V3 of the main board
- 1-2 and 3-4
- Take care! Refer to the UM of the main board about external power supply
 - ST1S14 is enabled
 - VDD is provided by +3V3 of the ST1S14 of the expansion board
 - The main board is supplied by ST1S14 of the expansion board

