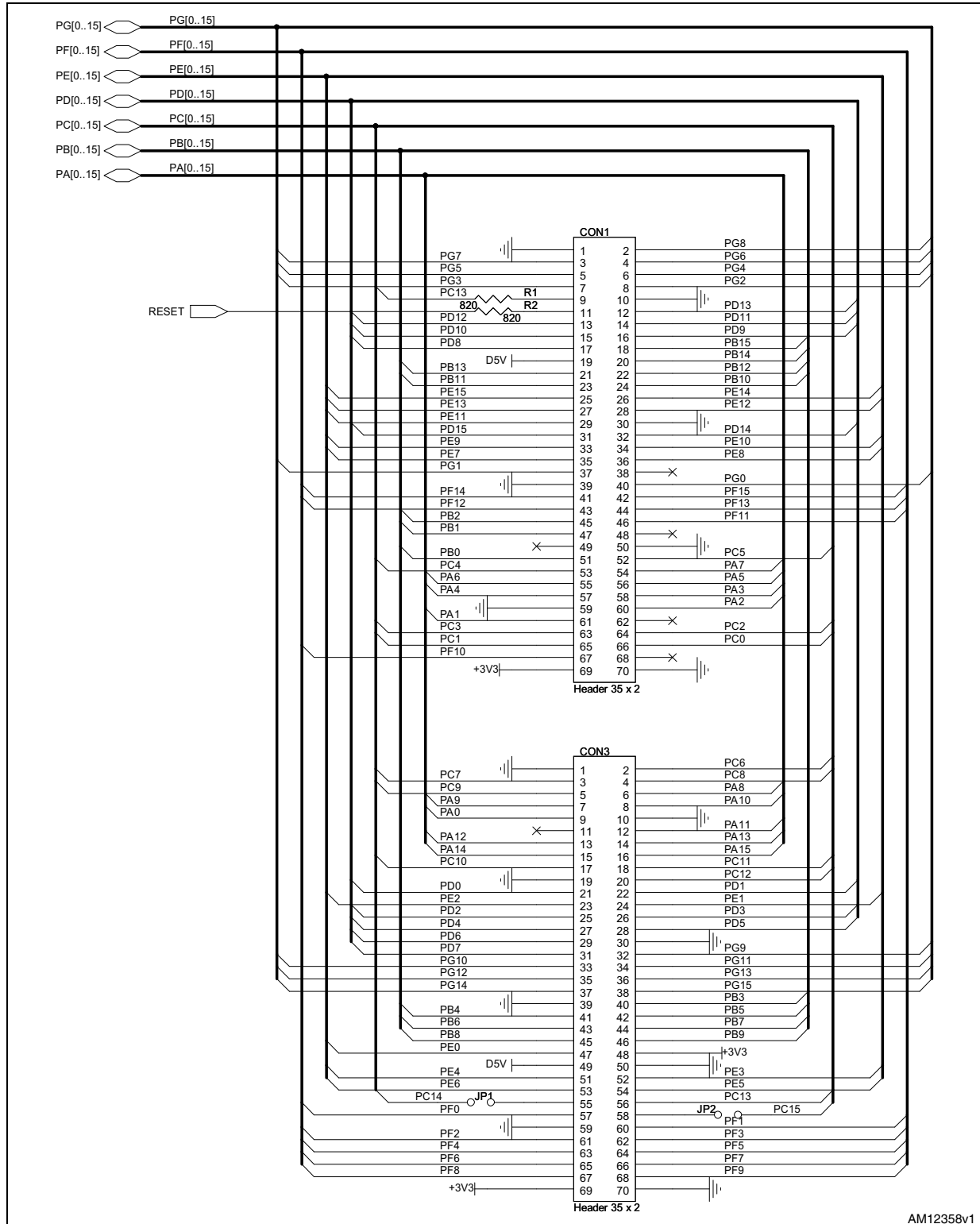
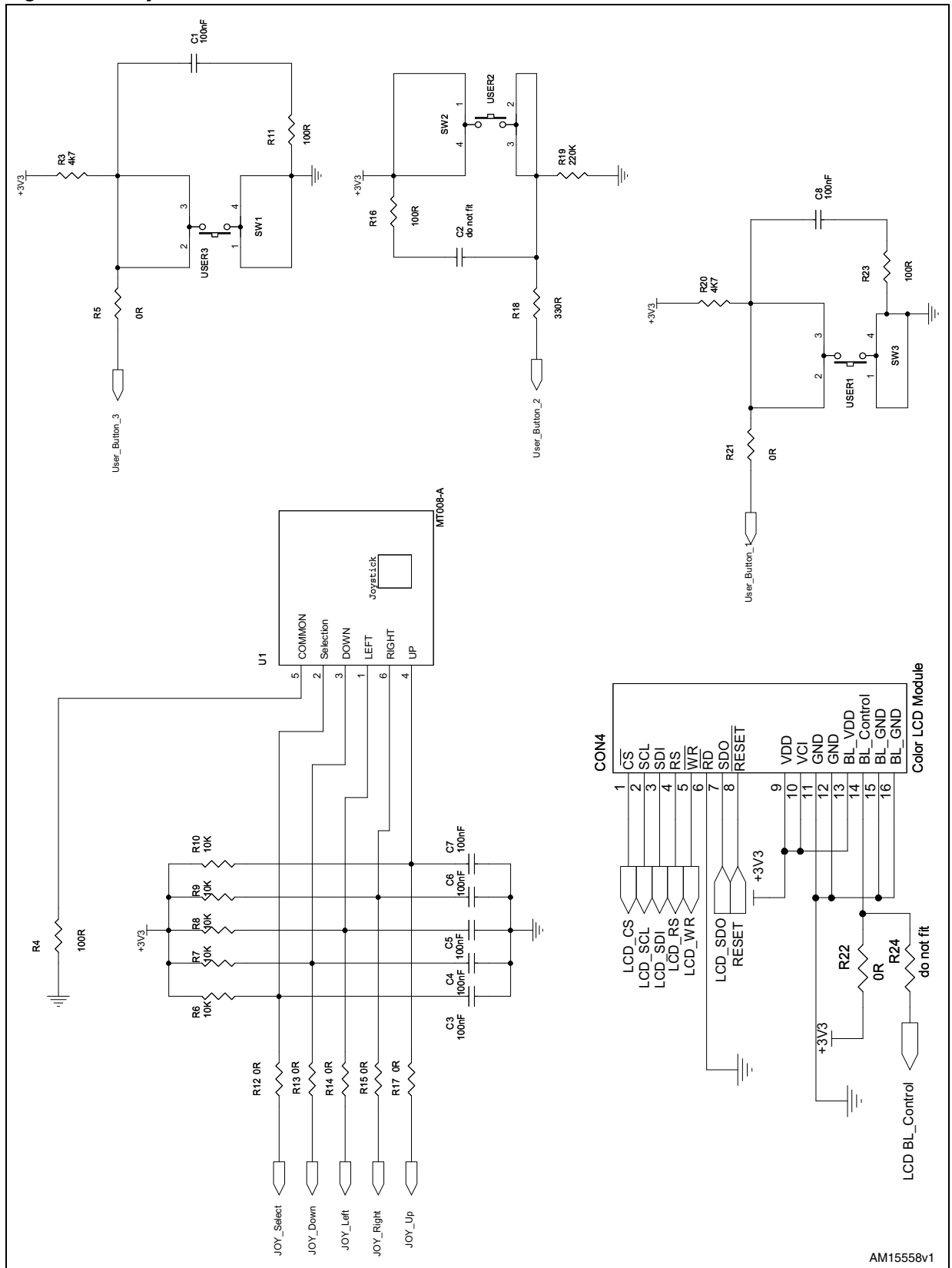


# 1 Schematic diagram

Figure 1. Extension & I2C\_IOS Connectors



**Figure 2. Joystick button and LCD**



**Figure 3. JTAG SWD and trace**

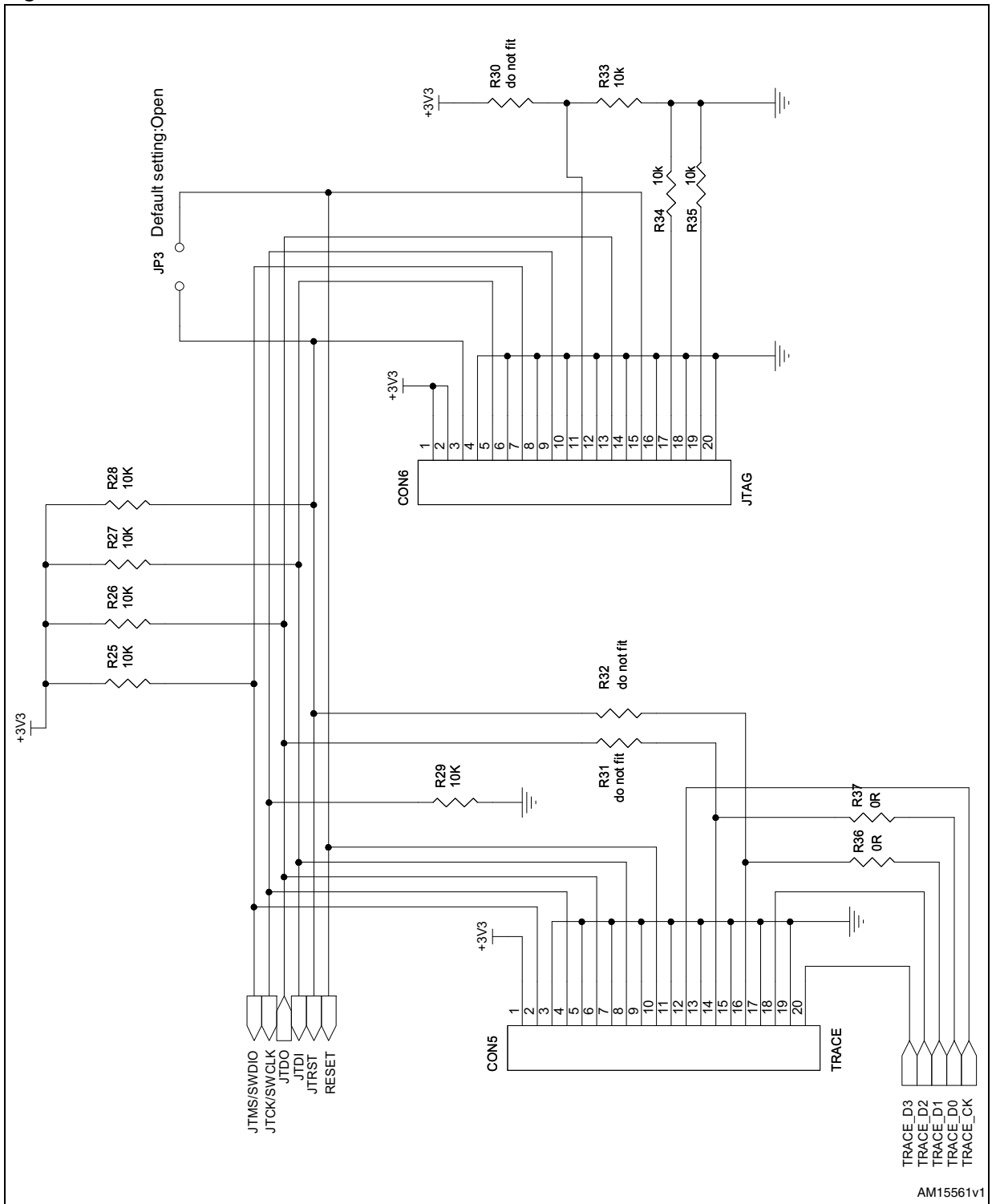


Figure 4. MC connector MAI

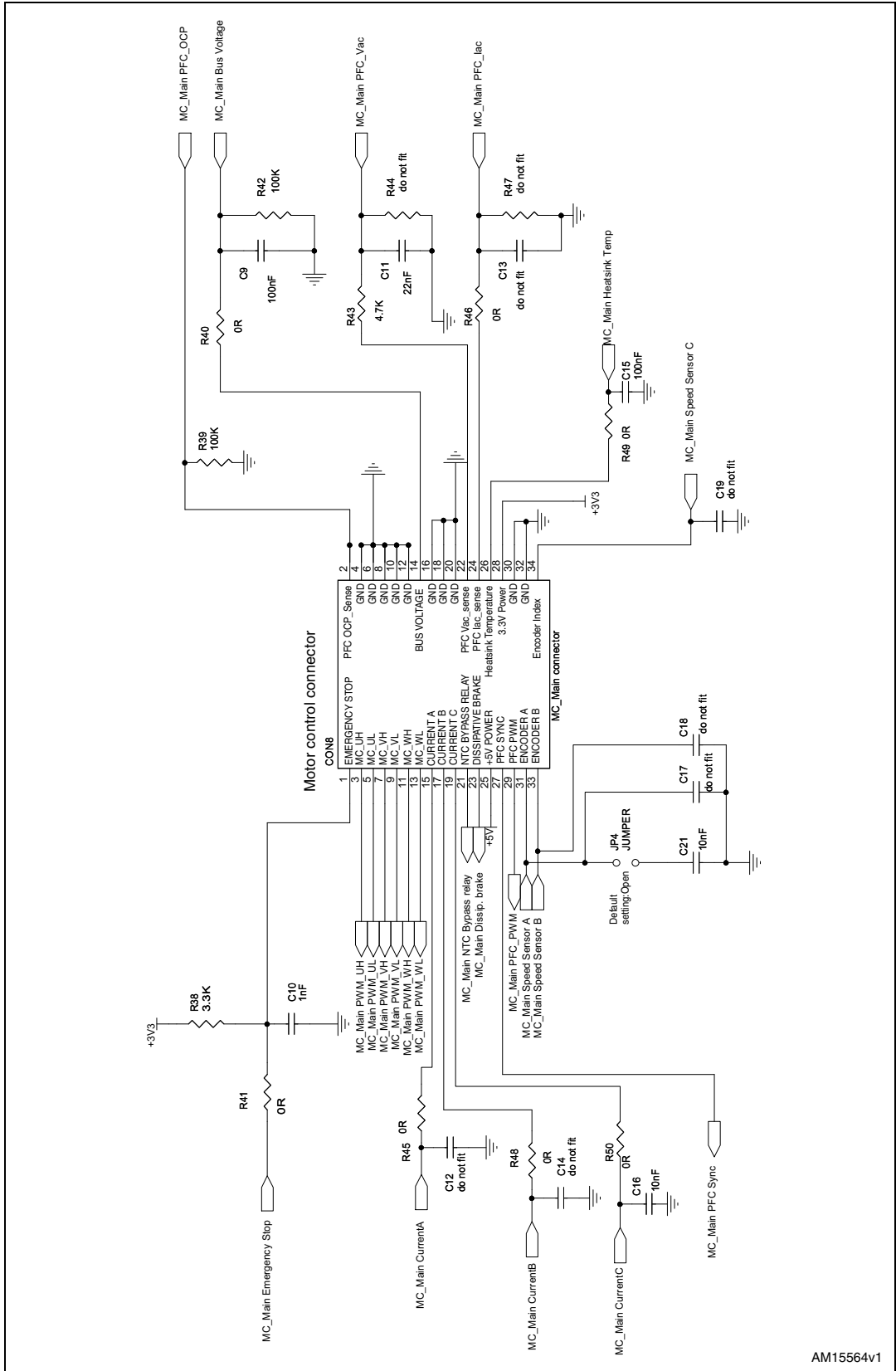


Figure 5. MC connector SUB1

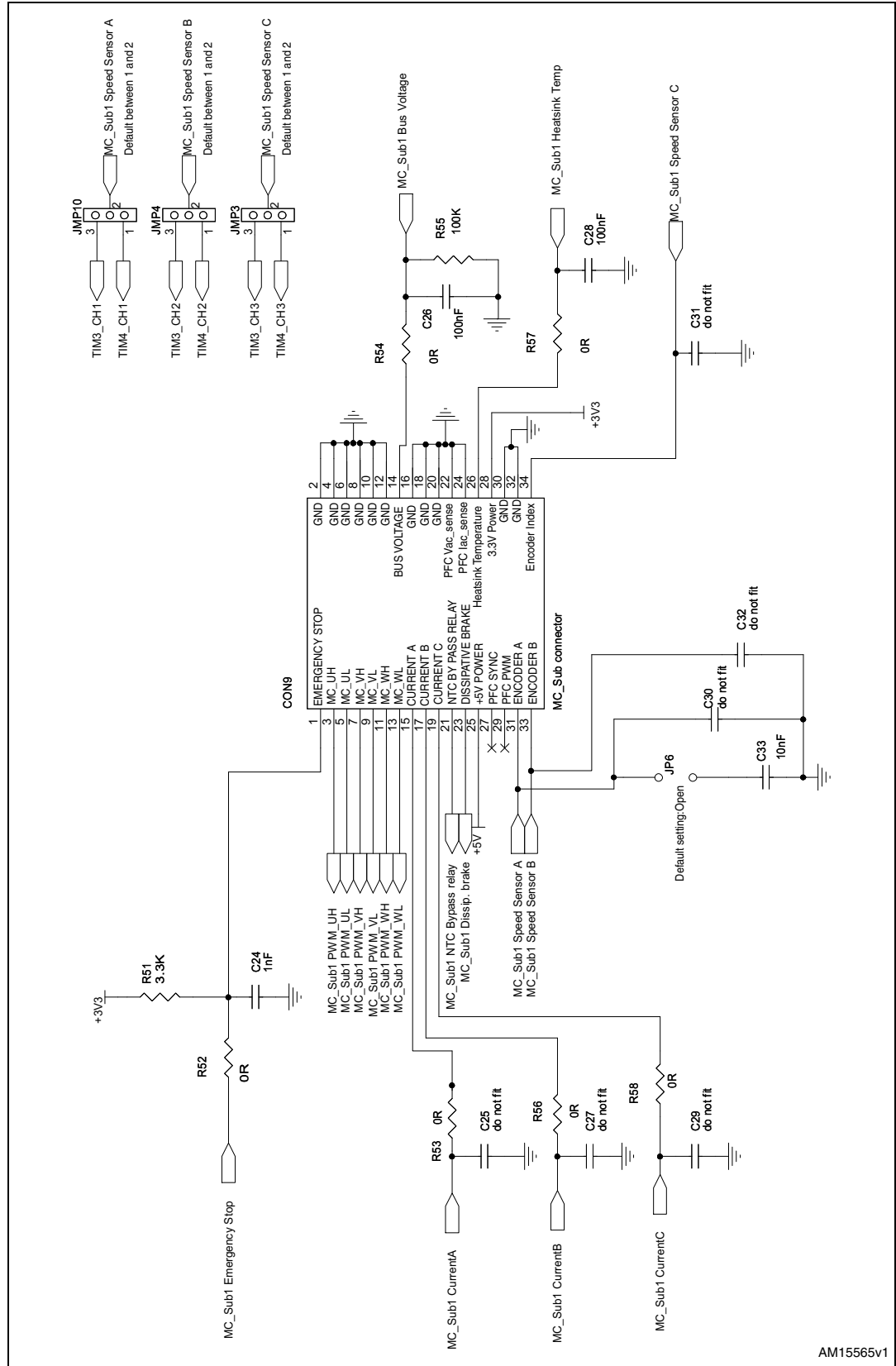


Figure 6. Peripheral (1 of 2)

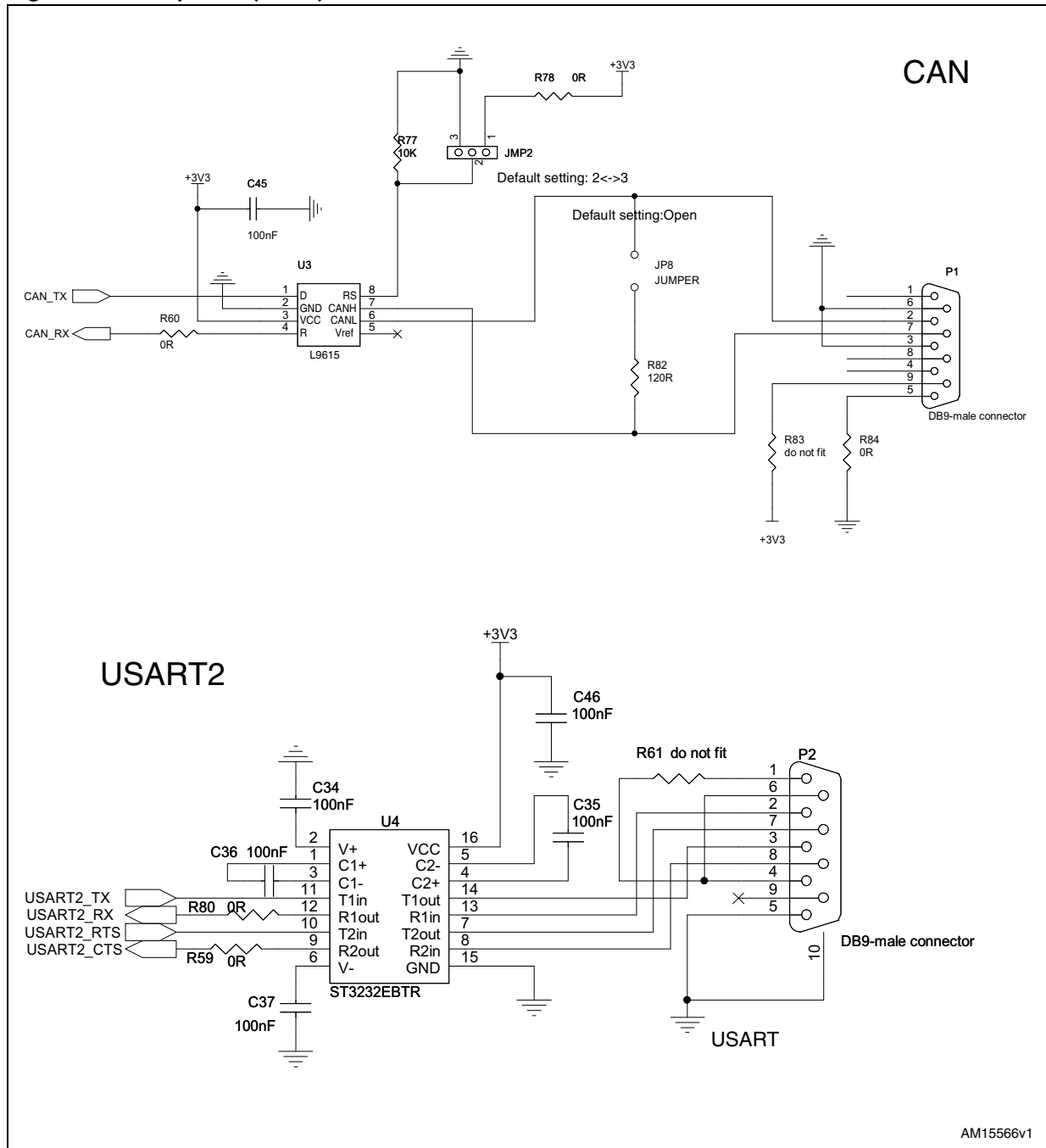
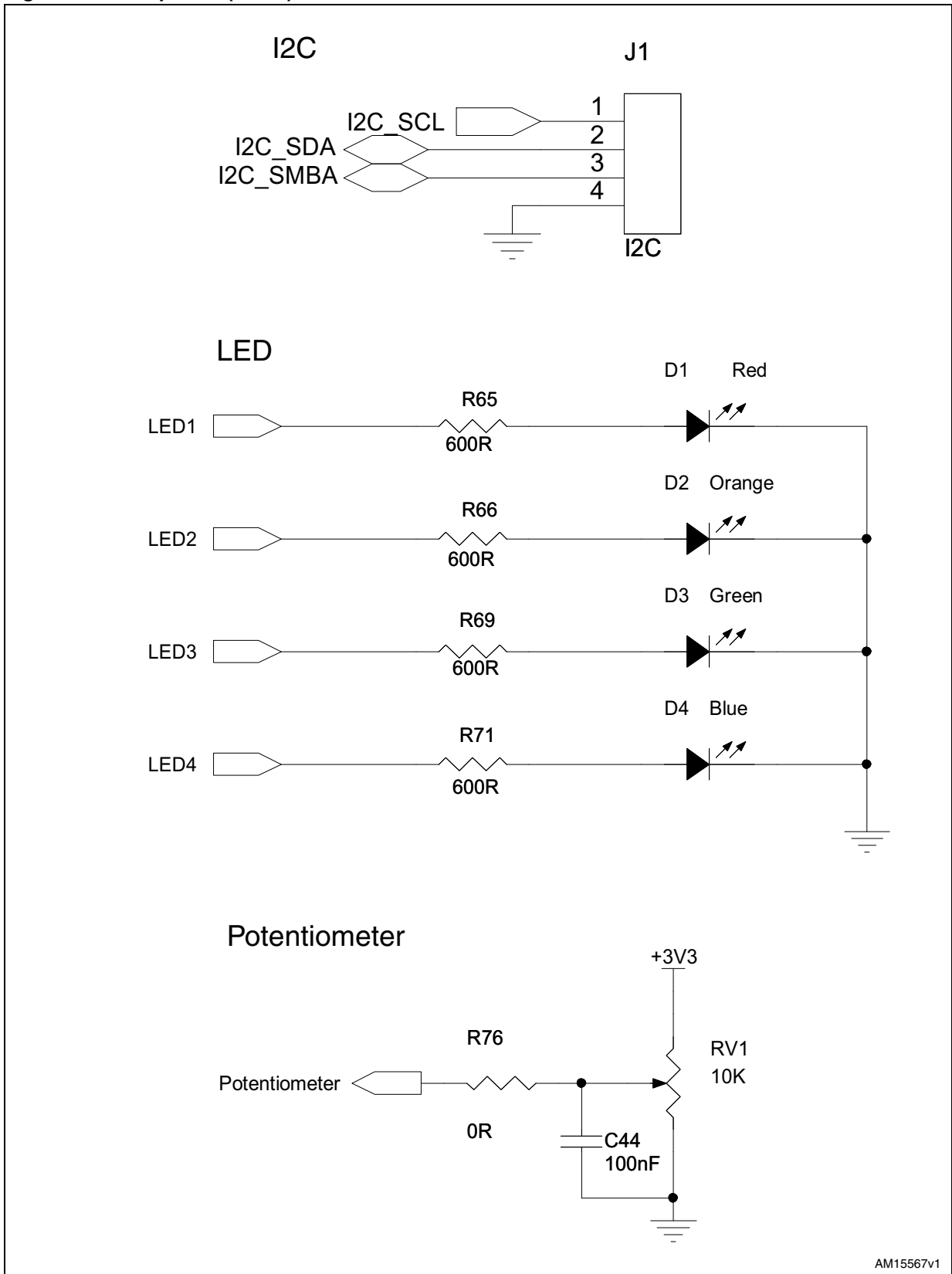
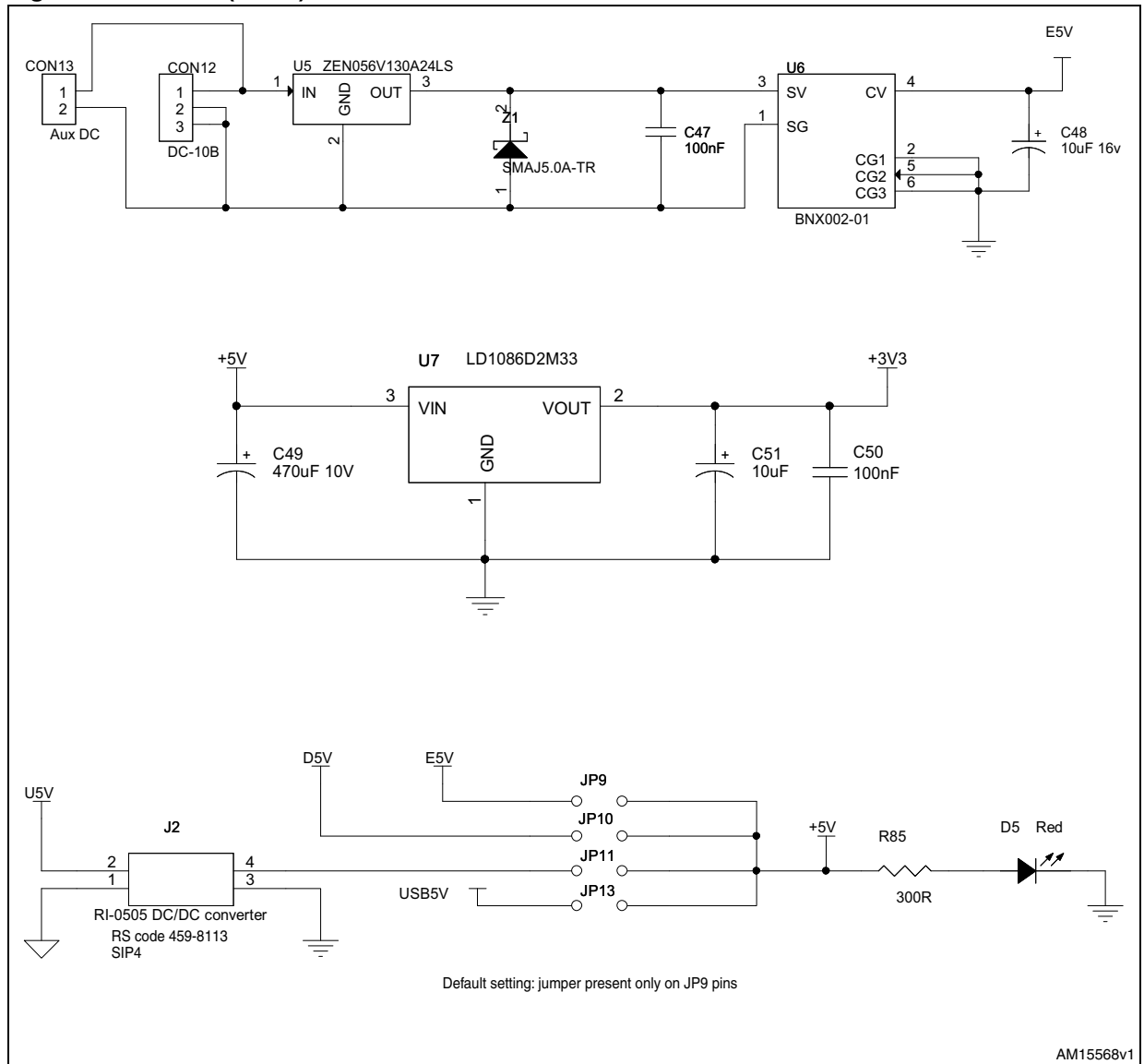


Figure 7. Peripheral (2 of 2)



**Figure 8. Power (1 of 2)**





**Figure 9. Power (2 of 2)**

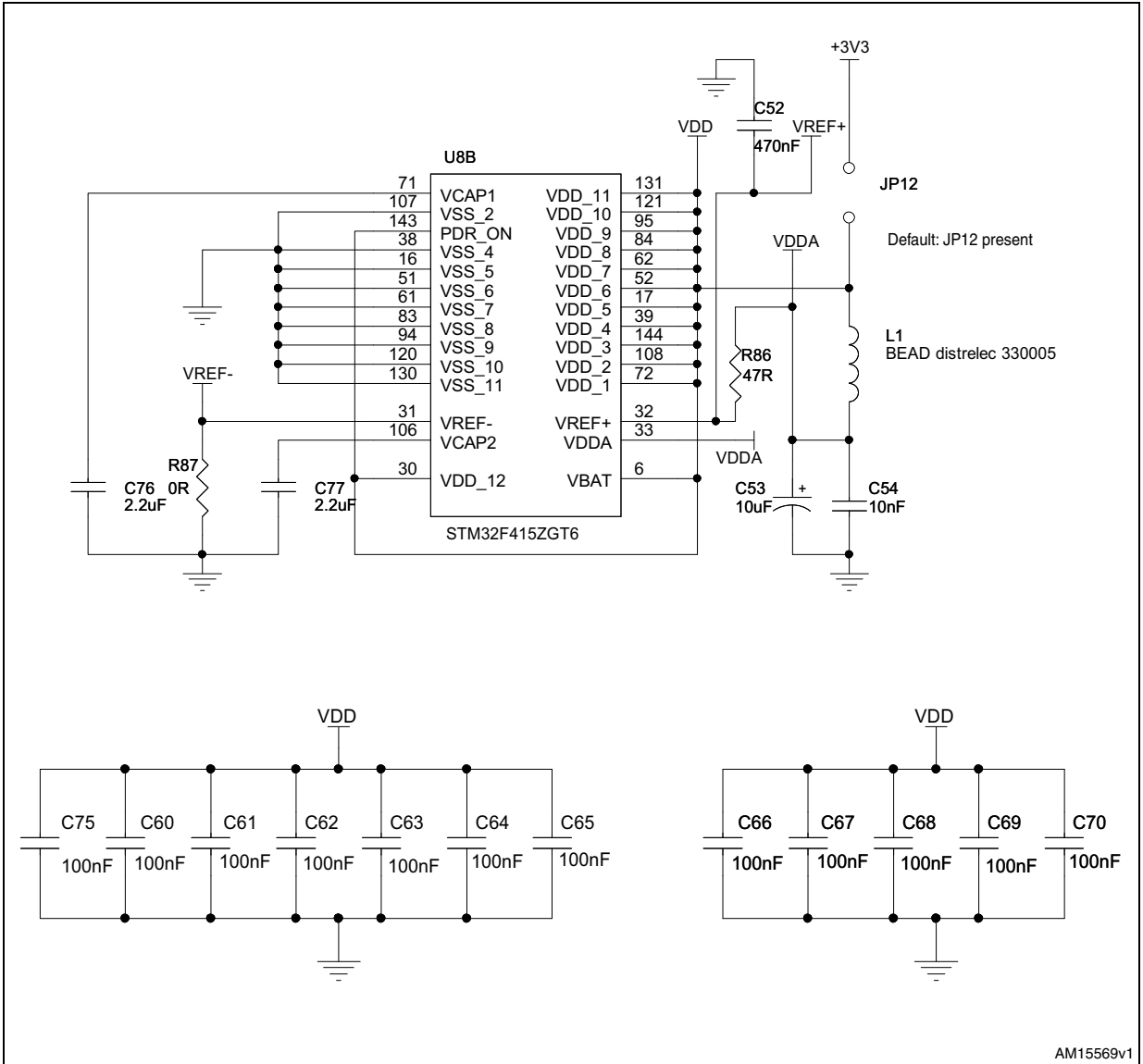


Figure 10. STM32 MC

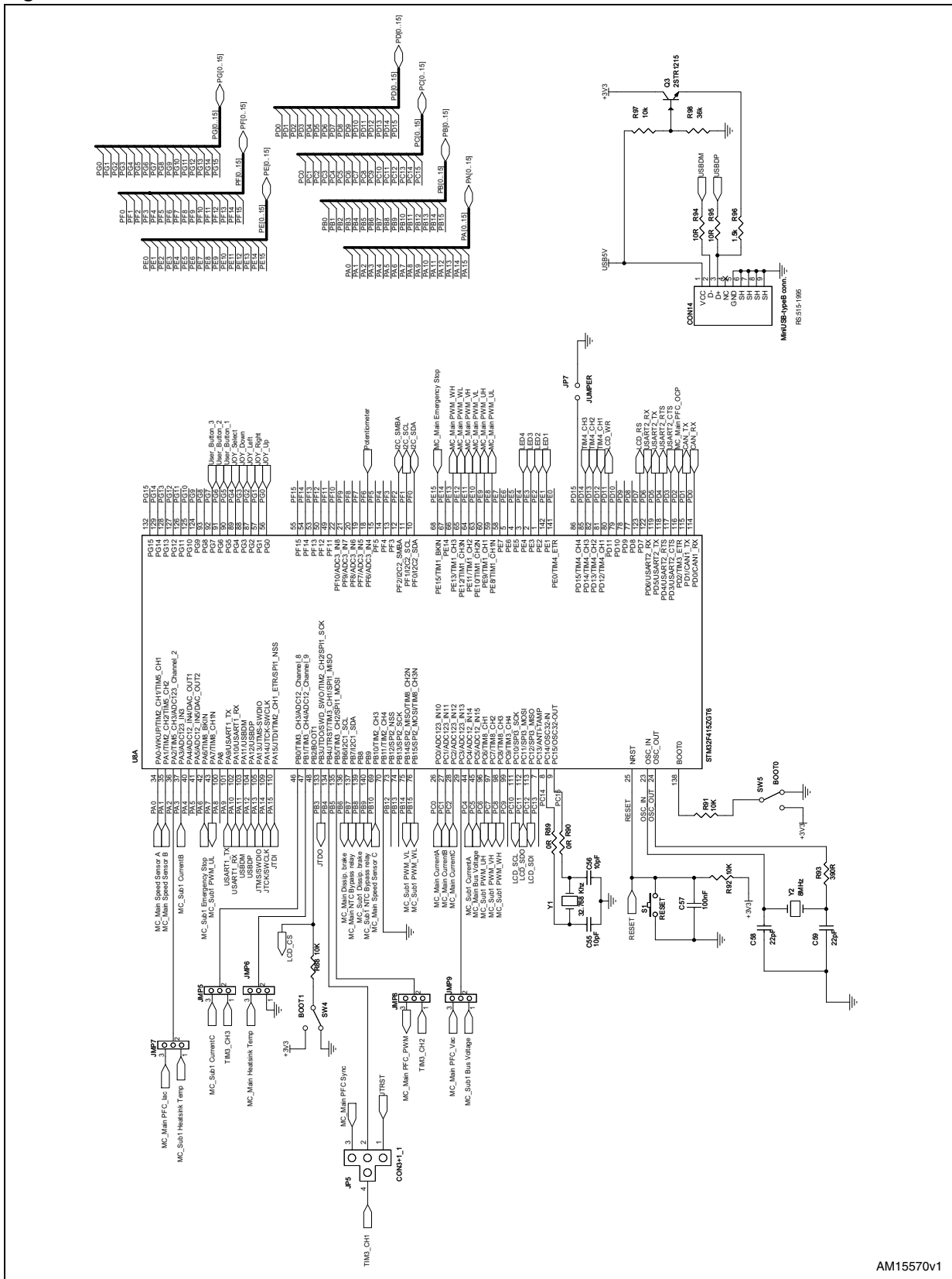


Figure 11. Virtual COM

