

STM32MP1x DISCO

MB1407

Table of contents

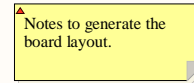
- Sheet 1: Project (this page)
- Sheet 2: 4" DSI LCD

Legend

General comment such as function title, configuration, ...

Text to be added to silkscreen.

Warning text.



Open Platform License Agreement

The Open Platform License Agreement ("Agreement") is a binding legal contract between you ("You") and STMicroelectronics International N.V. ("ST"), a company incorporated under the laws of the Netherlands acting for the purpose of this Agreement through its Swiss branch 39, Chemin du Champ des Filles, 1228 Plan-les-Ouates, Geneva, Switzerland.

By using the enclosed reference designs, schematics, PC board layouts, and documentation, in hardcopy or CAD tool file format (collectively, the "Reference Material"), You are agreeing to be bound by the terms and conditions of this Agreement. Do not use the Reference Material until You have read and agreed to this Agreement terms and conditions. The use of the Reference Material automatically implies the acceptance of the Agreement terms and conditions.

The complete Open Platform License Agreement can be found on www.st.com/opla.

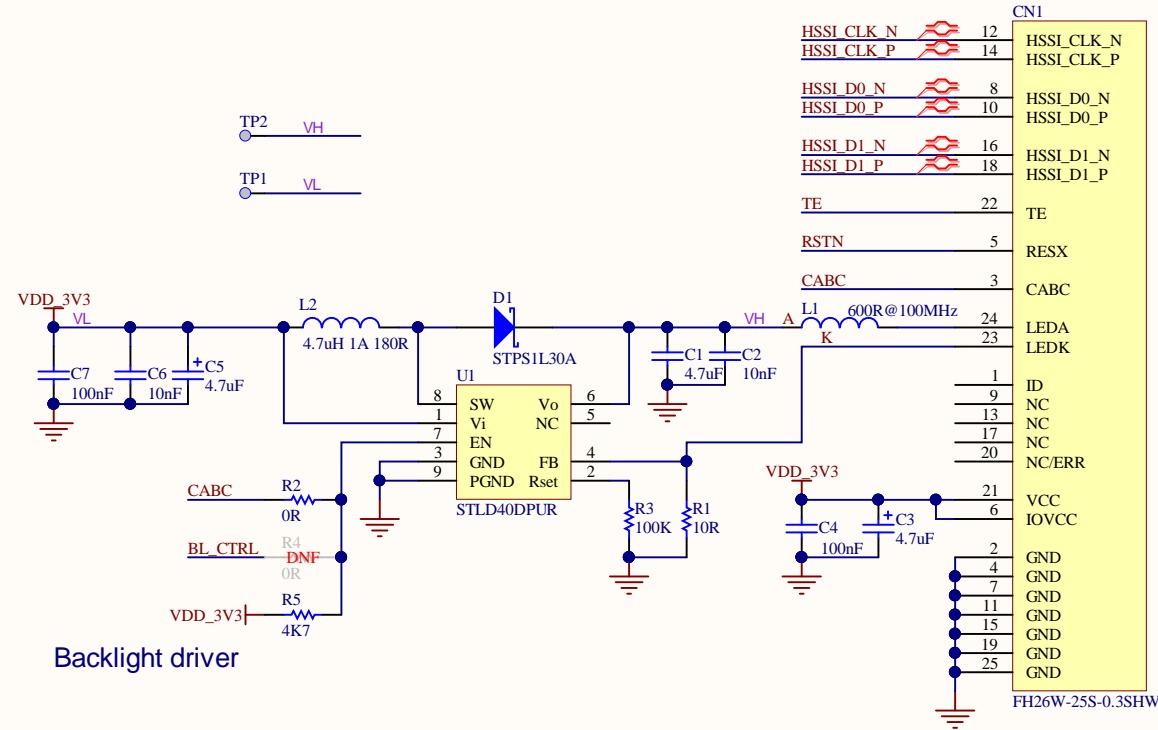
U_4inches_DSI_LCD
4inches_DSI_LCD.SchDoc



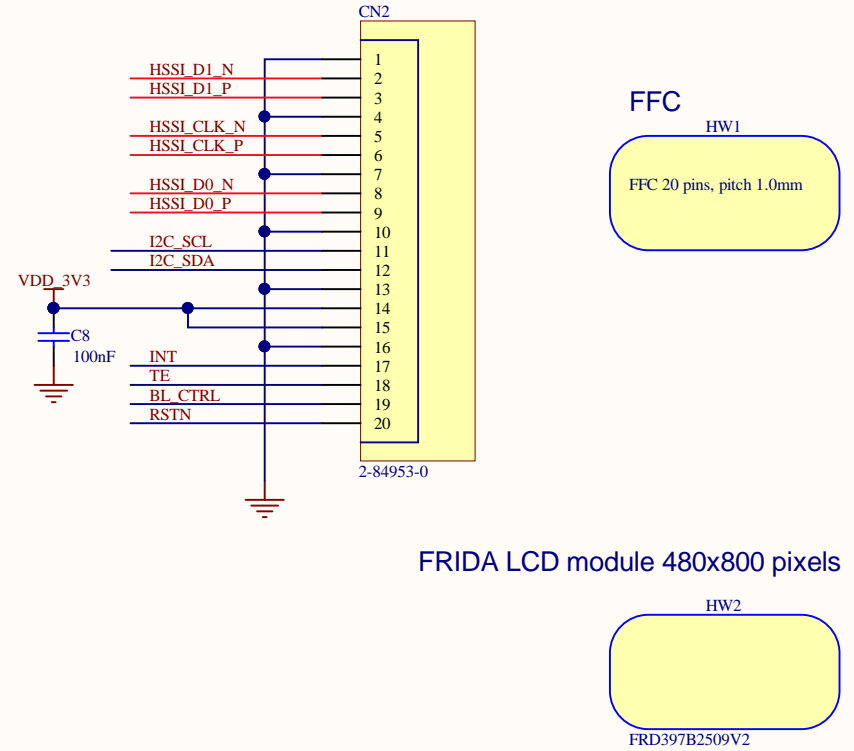
Title: MB1407	
Project: STM32MP1x DISCO	
Variant: LCD	
Revision: C-01	Reference: MB1407
Size: A4	Date: 25-MAY-2018
Sheet: 1 of 2	



LCD FFC connector



Mother board FFC connector



Self-Capacitive Touch Panel connector

