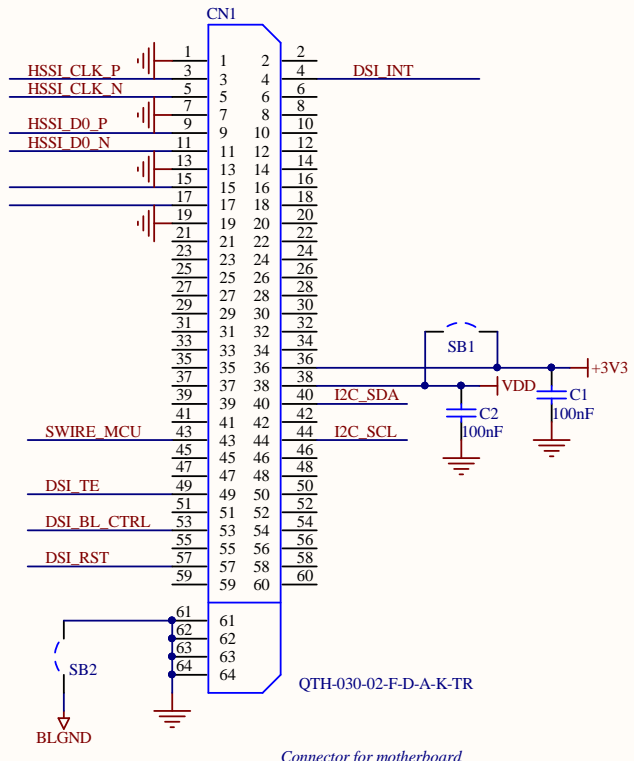
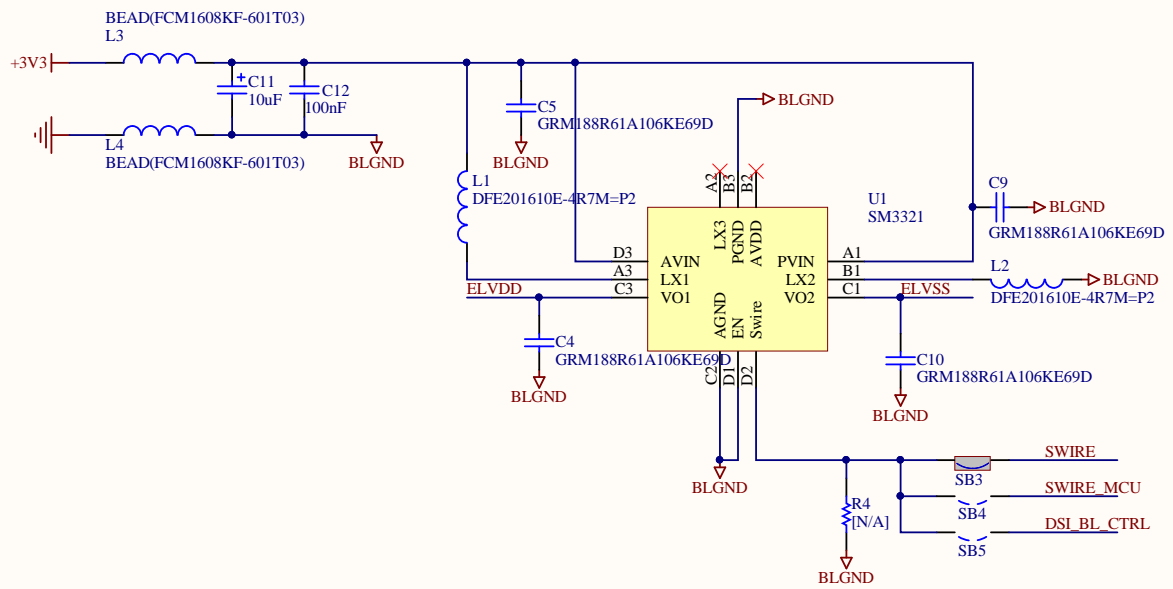


Touch panel connector for LCD panel
I2C address: 0x70
IC: FT3267



Connector for motherboard



Rev B.1: BLVDD use +3V3, add L3, L4, C11 and C12, remove D1, D2
 2. L1, L2 footprint update 0806L
 3. RevB, remove C11

Rev C.1:
 1. CN2 part number changed to BM20B(0.8)-24DS-0.4V(51)
 2. CN3 Add 2 PADS connect to GND
 3. ZZ1 part number changed to IEG1120TB105GG-001

Title: 1.2" DSIL LCD with Capacitive Touch		
Project: STM32L4Rx-EVAL Daughter board		
Size: A4	Reference: MB1314	Revision: C.1
Date: 4/28/2018	Sheet: 1 of 1	

