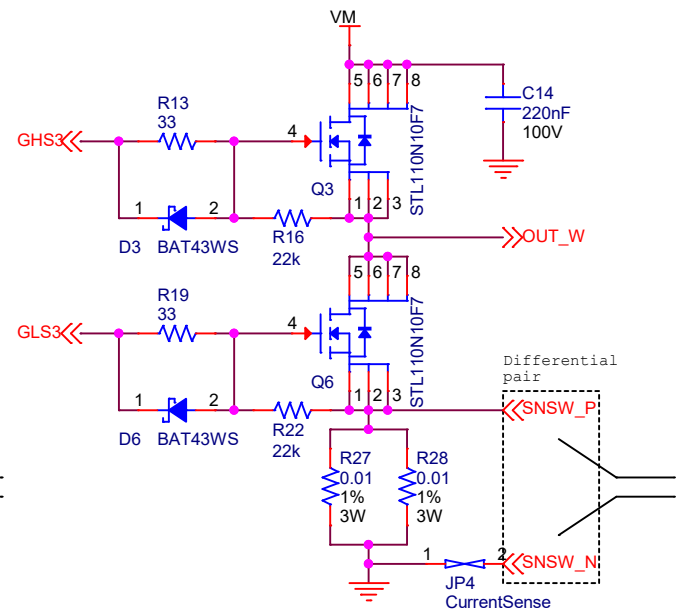
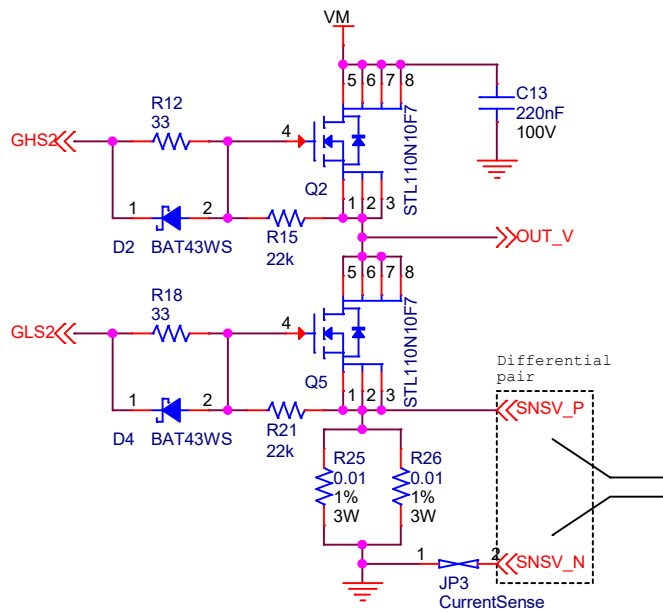
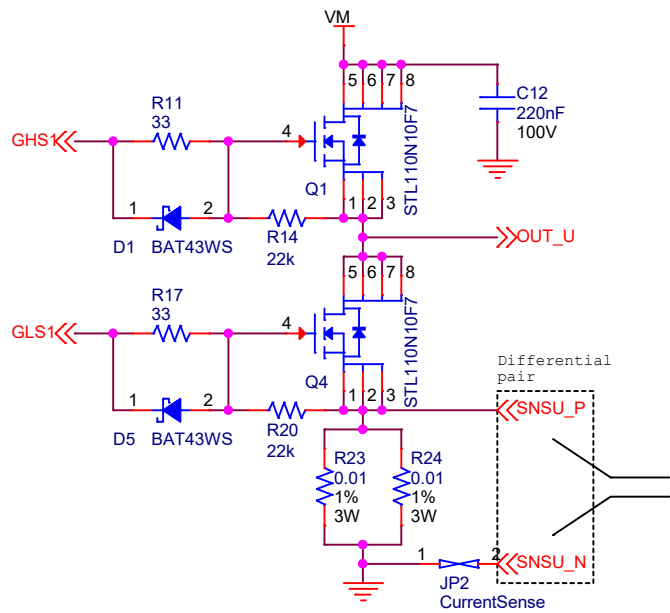
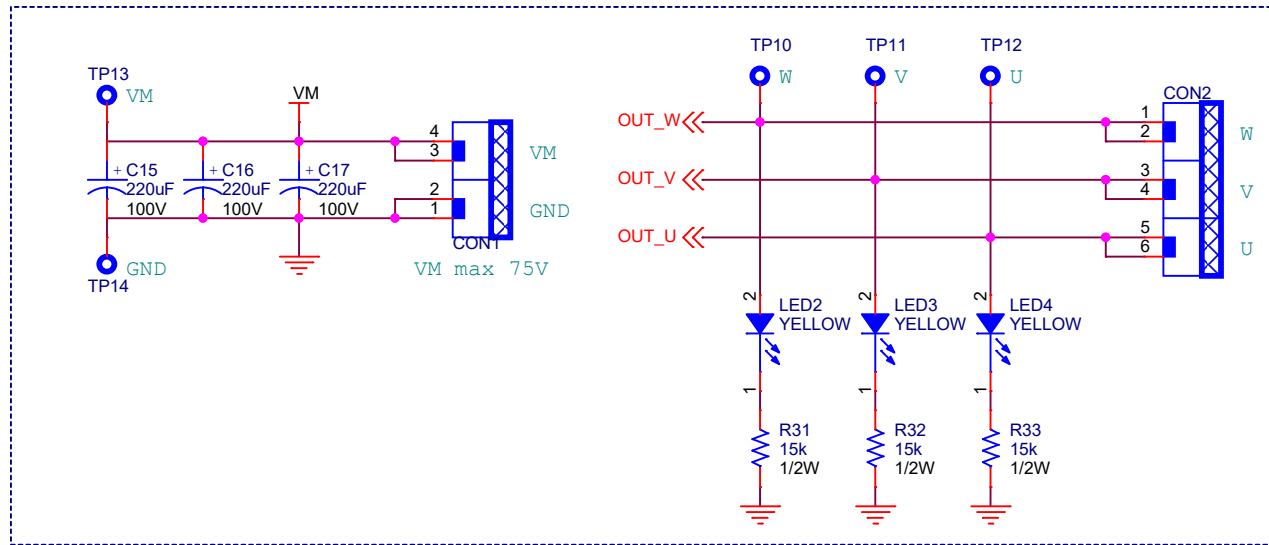
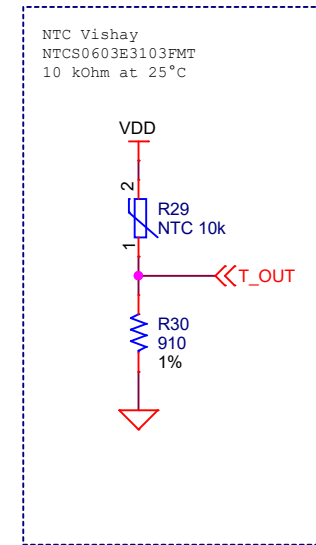
 life.augmented	Board Title EVALSTDRIVE101				This drawing and the information herein are property of STMicroelectronics and are intended for evaluation purpose only
	Sheet Title Driver & MC connector				
Doc No	Date	Rev	Sheet		
	Tuesday, October 13, 2020	1.0	1 / 5		



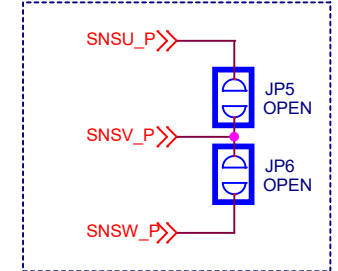
Connectors

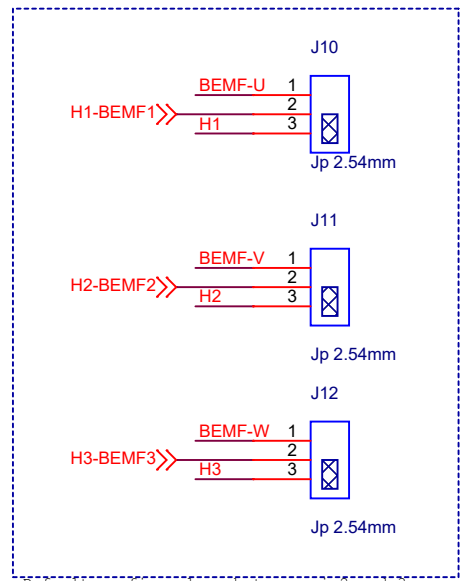
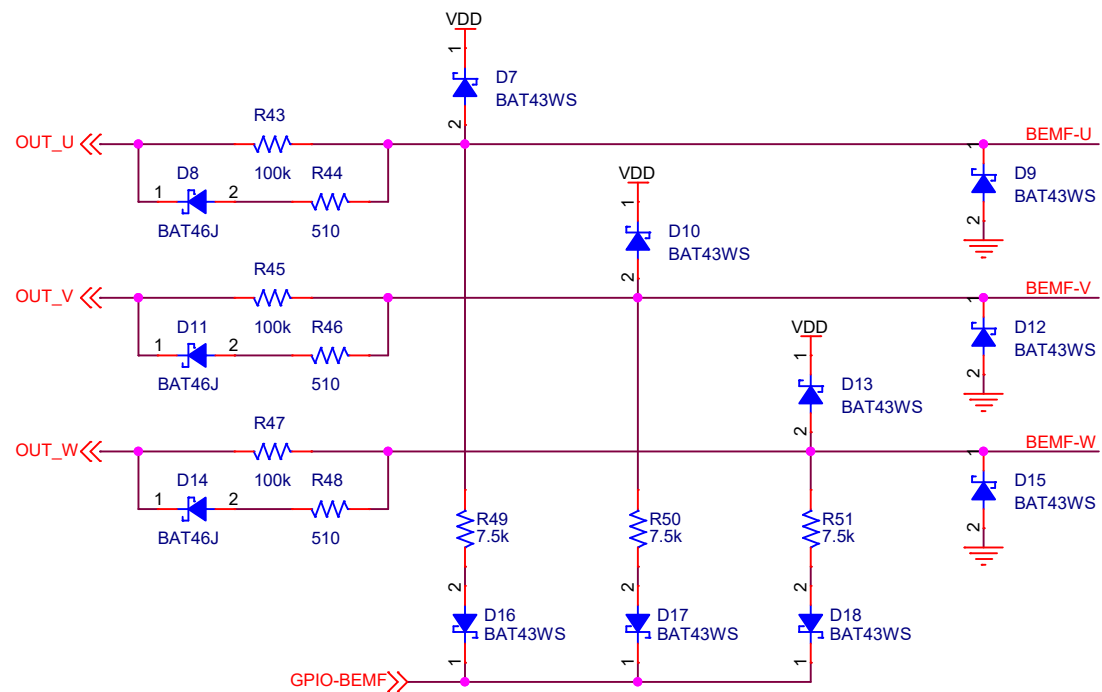
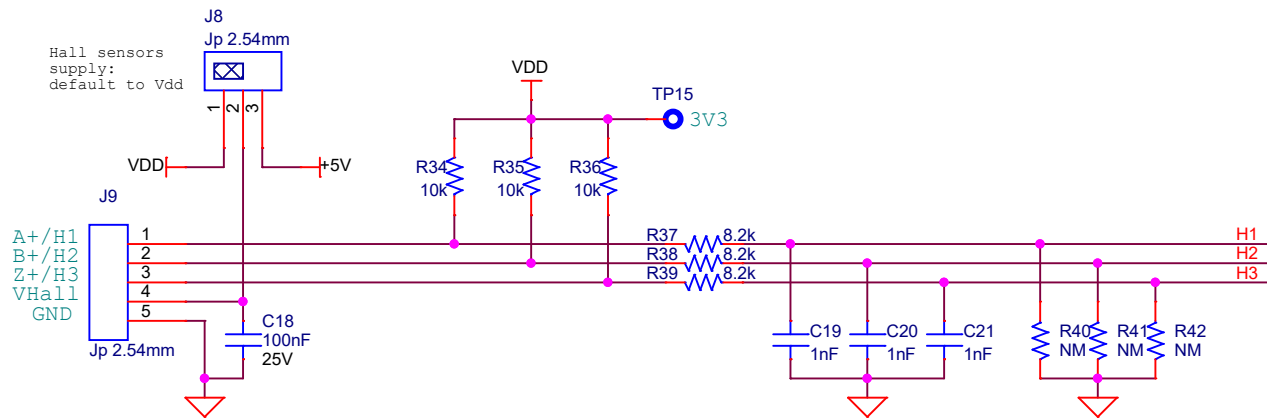


Temperature Sensor




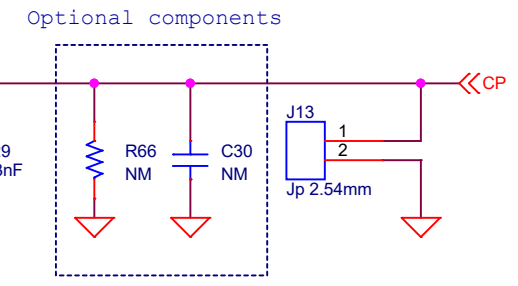
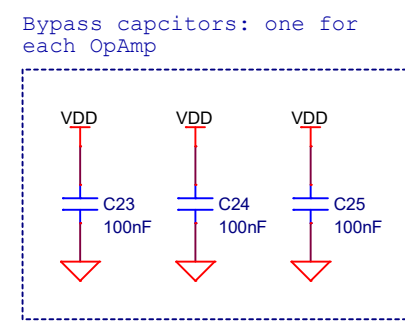
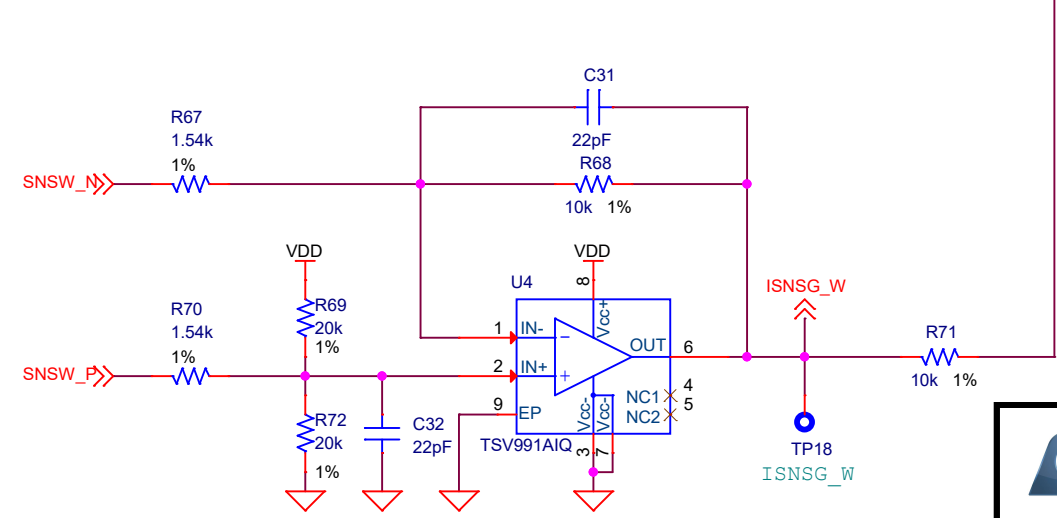
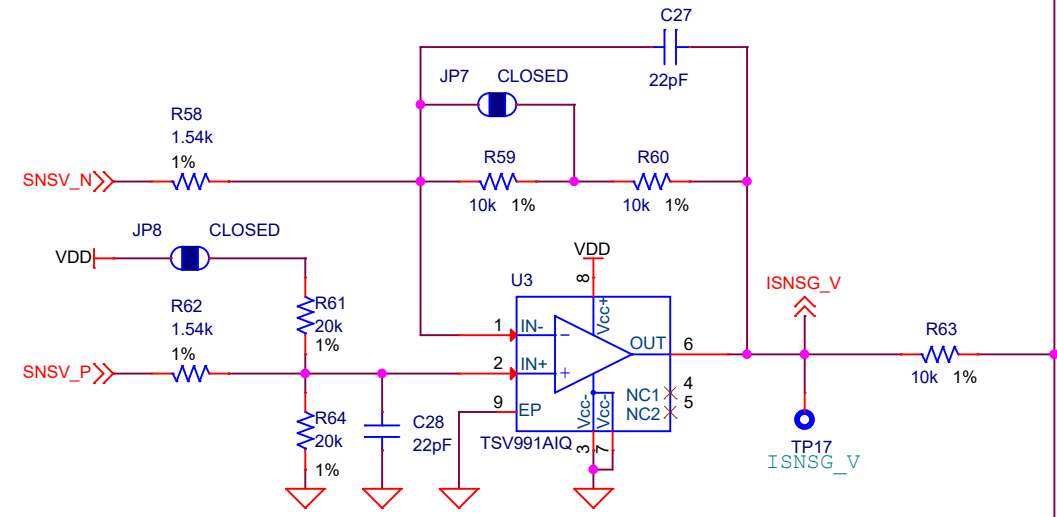
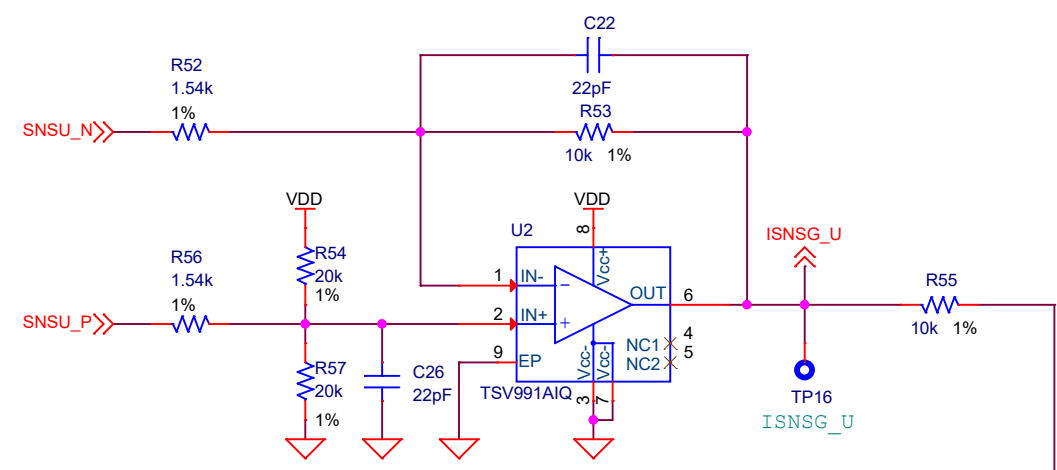
Power solder bridges for single/three shunt configuration




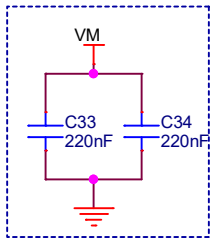


Default config: "Close between pin2 and 3", Hall Sensors

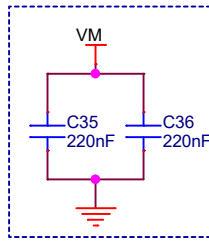
 life.augmented	Board Title EVALSTDRIVE101			This drawing and the information herein are property of STMicroelectronics and are intended for evaluation purpose only	
	Sheet Title Hall sensors/BEMF networks				
Doc No	Date	Rev	Sheet		
	Tuesday, October 13, 2020	1.0	3 / 5		



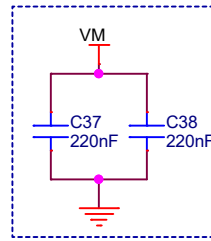
 life.augmented	Board Title EVALSTDRIVE101				This drawing and the information herein are property of STMicroelectronics and are intended for evaluation purpose only	
	Sheet Title Operational amplifiers					
Doc No	Date	Rev	Sheet			
	Tuesday, October 13, 2020	1.0	4 / 5			



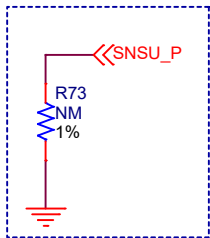
Phase U bypass ceramic capacitors - optional



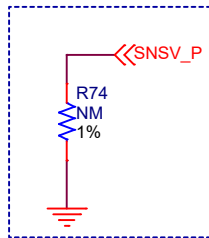
Phase V bypass ceramic capacitors - optional



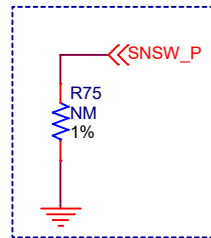
Phase W bypass ceramic capacitors - optional



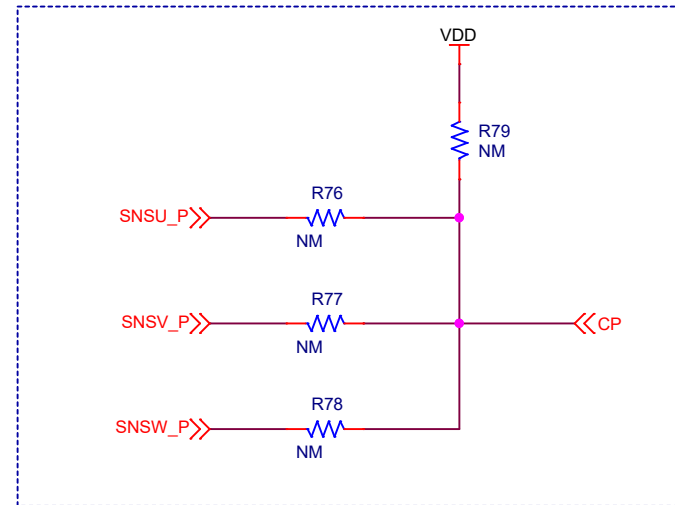
Phase U optional shunt resistor - not mounted



Phase V optional shunt resistor - not mounted



Phase W optional shunt resistor - not mounted



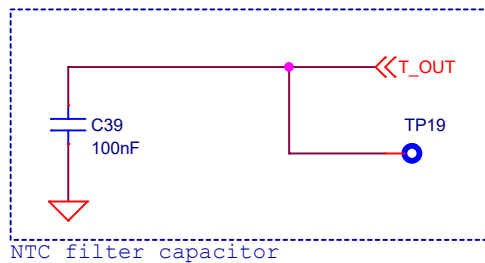
CP alternative network for over-current protection
default: not mounted

When mounted, R55, R63, R65, R71 must be disconnected

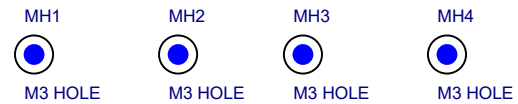
HS1



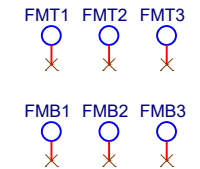
Optional Heatsink




NTC filter capacitor



M3 Holes for screws and mechanical spacers



 life.augmented	Board Title EVALSTDRIVE101			This drawing and the information herein are property of STMicroelectronics and are intended for evaluation purpose only	
	Sheet Title Additional components				
Doc No	Date Tuesday, October 13, 2020	Rev 1.0	Sheet 5 / 5		