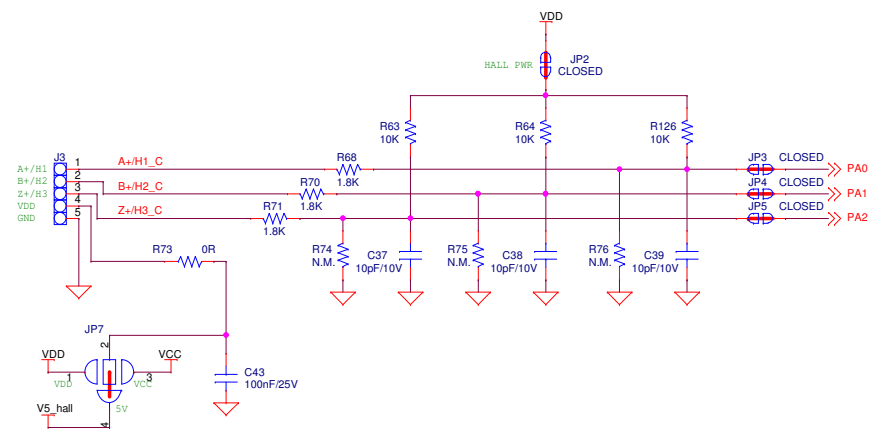
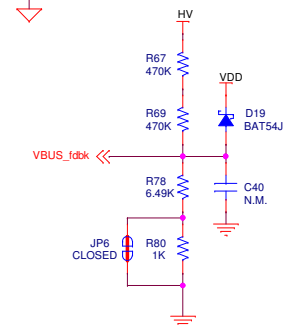
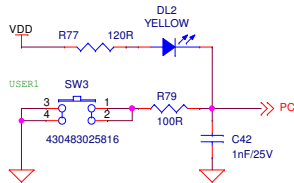
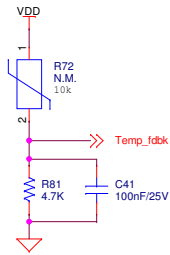
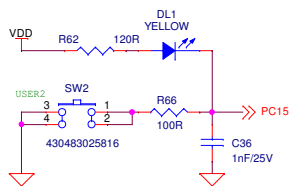
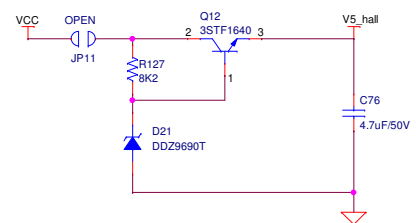
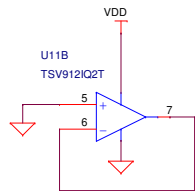
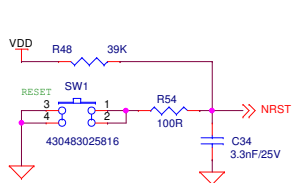
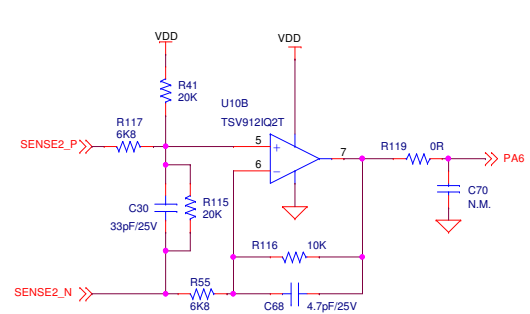
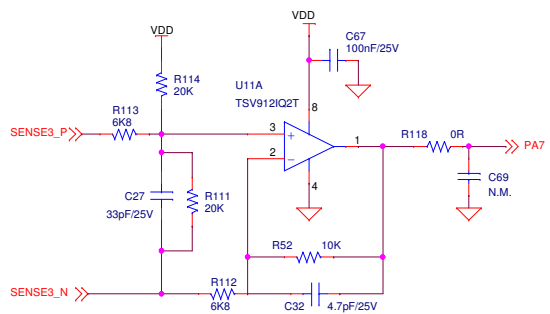
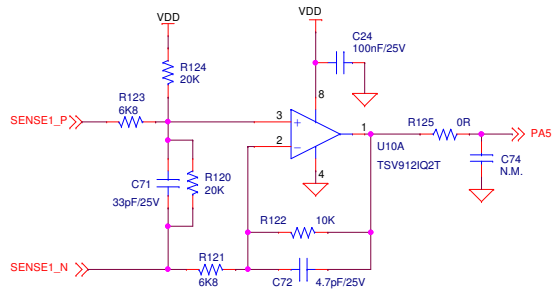
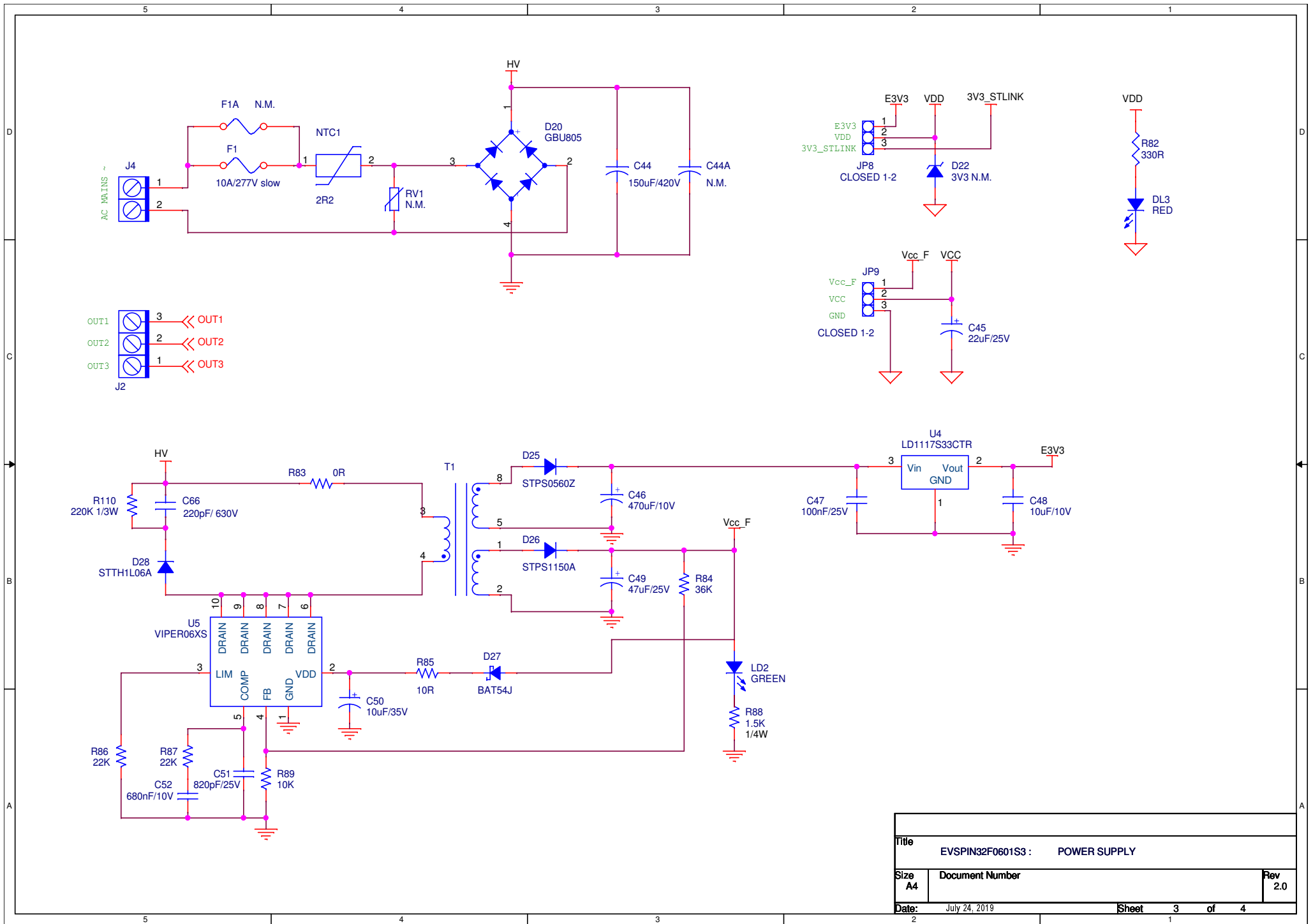


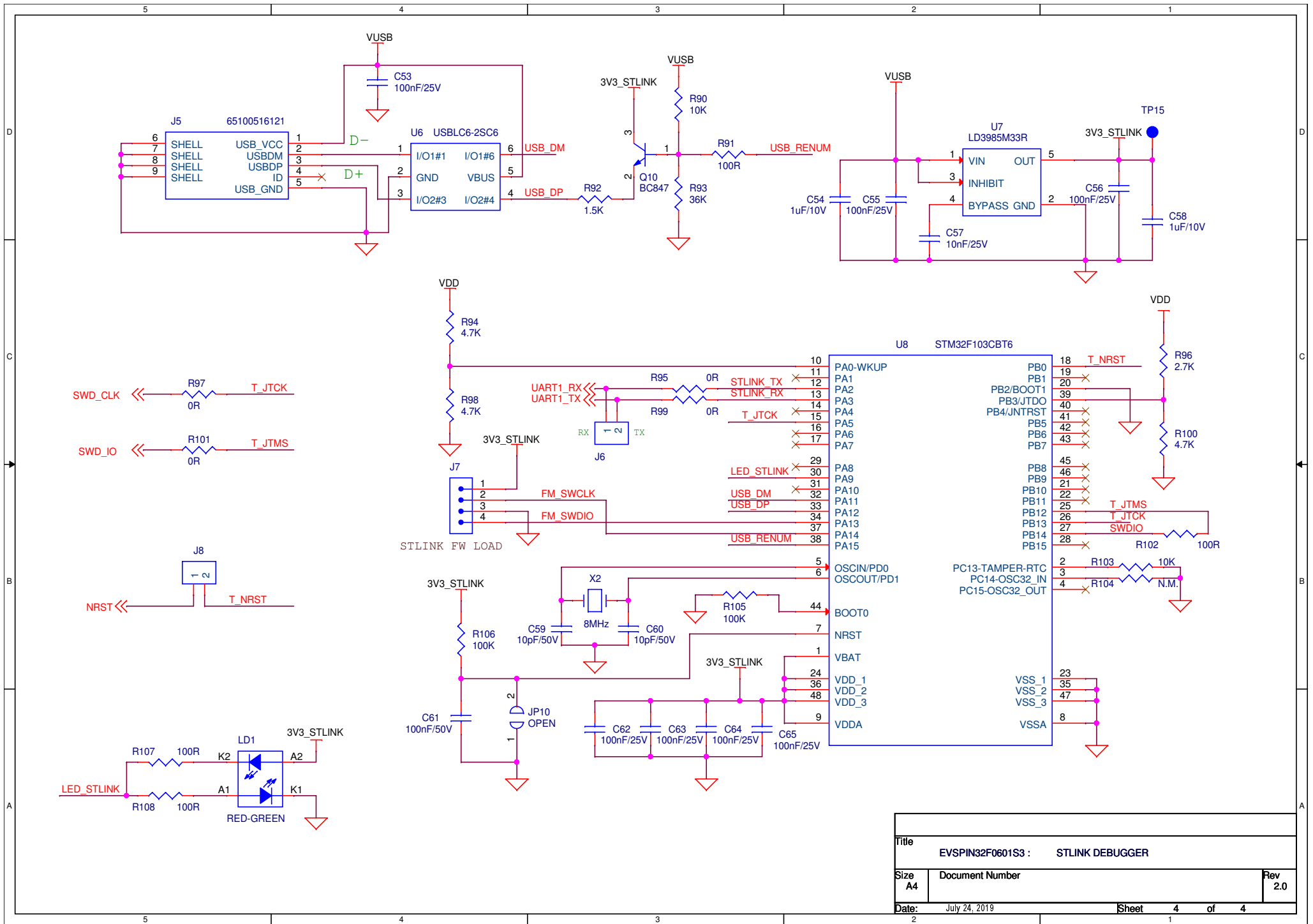
Title		
EVSPIN32F0601S3 : DRIVER - OUTPUT STAGE		
Size	Document Number	Rev
A3		2.0
Date:	July 24, 2019	Sheet 1 of 4



Title		
EVSPIN32F0601S3 : FEEDBACK NETWORK		
Size	Document Number	Rev
A3		2.0
Date:	July 24, 2019	Sheet 2 of 4



Title		
EVSPIN32F0601S3 : POWER SUPPLY		
Size	Document Number	Rev
A4		2.0
Date:	July 24, 2019	Sheet 3 of 4



Title		
EVSPIN32F0601S3 : STLINK DEBUGGER		
Size	Document Number	Rev
A4		2.0
Date:	July 24, 2019	Sheet 4 of 4