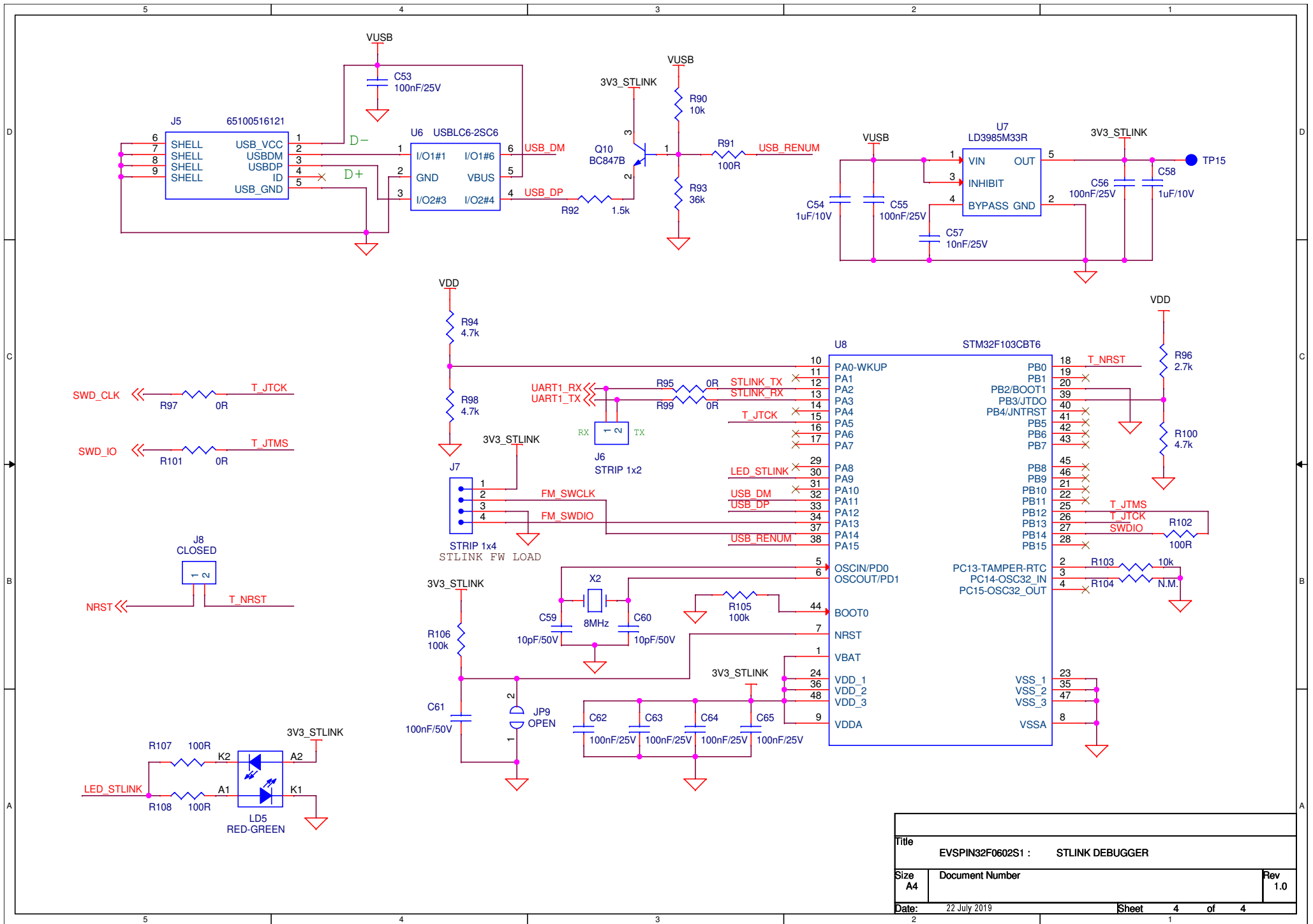


Title		
EVSPIN32F0602S1 : FEEDBACK NETWORK		
Size	Document Number	Rev
A3		1.0
Date:	22 July 2019	Sheet 2 of 4



Title		
EVSPIN32F0602S1 : STLINK DEBUGGER		
Size	Document Number	Rev
A4		1.0
Date:	22 July 2019	Sheet 4 of 4

