



# AN1040 APPLICATION NOTE

---

## MONITORING THE $V_{BUS}$ SIGNAL FOR USB SELF-POWERED DEVICES

---

by Microcontroller Division

### INTRODUCTION

One of the [USB Compliance Checklist for Peripherals](#) items asks the following question: “Is the device’s pull-up active only when  $V_{BUS}$  is high?”.

This item refers to chapter 7.1.5 “Device Speed Identification” of the [USB Specification](#). It is mentioned that “the voltage source on the pull-up resistor must be derived from or controlled by the power supplied on the USB cable such that when  $V_{BUS}$  is removed, the pull-up resistor does not supply current on the data line to which it is attached”

This applies only to self-powered devices where power does not come from  $V_{BUS}$ .

## 1 V<sub>BUS</sub> MONITORING

ST7 and ST9 microcontrollers with an embedded USB interface are equipped with an on-chip 3.3V voltage regulator that pulls up the appropriate data line with a 1.5 kΩ ±5% resistor.

This regulator can be switched on or off by software via the PDWN (*Power Down*) bit.

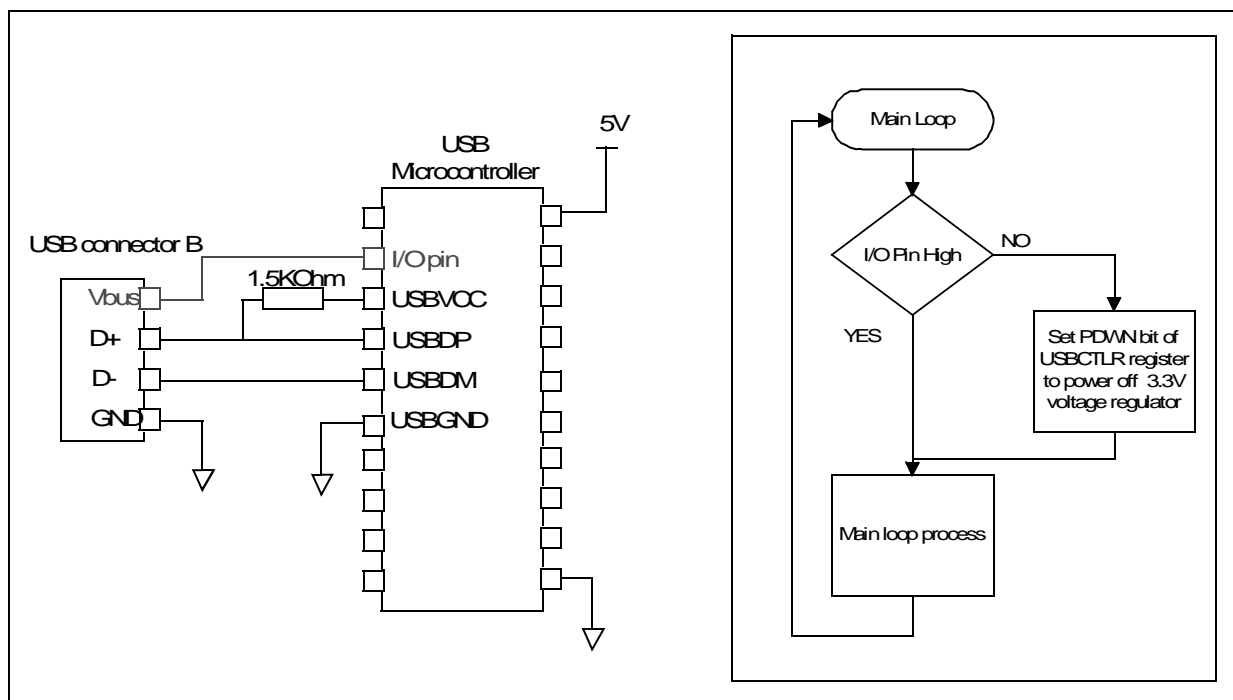
When the USB microcontroller is used in a self-powered application, it has to monitor the V<sub>BUS</sub> signal to power off the 3.3 V voltage regulator if the USB cable is removed or if the V<sub>BUS</sub> is switched off.

This can be implemented using an I/O pin configured as input CMOS.

Two monitoring schemes are possible:

1. Monitoring by polling the I/O pin in the main loop of the microcontroller program.
2. Monitoring by interrupt if the I/O pin connected to the V<sub>BUS</sub> signal has interrupt capability. If V<sub>BUS</sub> is removed, an interrupt will be generated on the falling edge.

**Figure 1. V<sub>BUS</sub> Configuration**



When the V<sub>BUS</sub> signal is removed, the program must set the PDWN bit. This will power off the 3.3V on-chip voltage regulator that supplies the external pull-up resistor and the transceiver and as a result, current will not be supplied on the data line attached to the V<sub>BUS</sub> signal.

---

## 2 REFERENCE DOCUMENTS

1. Universal Serial Bus Specification, Compaq Intel Microsoft NEC, Revision 1.1, September 23, 1998
2. USB Compliance Checklist, "Peripherals (excluding Hubs) for the Universal Serial Bus Specification (version 1.1)", USB Implementors Forum, Version 1.06, August 16, 1999

---

"THE PRESENT NOTE WHICH IS FOR GUIDANCE ONLY AIMS AT PROVIDING CUSTOMERS WITH INFORMATION REGARDING THEIR PRODUCTS IN ORDER FOR THEM TO SAVE TIME. AS A RESULT, STMICROELECTRONICS SHALL NOT BE HELD LIABLE FOR ANY DIRECT, INDIRECT OR CONSEQUENTIAL DAMAGES WITH RESPECT TO ANY CLAIMS ARISING FROM THE CONTENT OF SUCH A NOTE AND/OR THE USE MADE BY CUSTOMERS OF THE INFORMATION CONTAINED HEREIN IN CONNEXION WITH THEIR PRODUCTS."

Information furnished is believed to be accurate and reliable. However, STMicroelectronics assumes no responsibility for the consequences of use of such information nor for any infringement of patents or other rights of third parties which may result from its use. No license is granted by implication or otherwise under any patent or patent rights of STMicroelectronics. Specifications mentioned in this publication are subject to change without notice. This publication supersedes and replaces all information previously supplied. STMicroelectronics products are not authorized for use as critical components in life support devices or systems without the express written approval of STMicroelectronics.

The ST logo is a registered trademark of STMicroelectronics

©2000 STMicroelectronics - All Rights Reserved.

Purchase of I<sup>2</sup>C Components by STMicroelectronics conveys a license under the Philips I<sup>2</sup>C Patent. Rights to use these components in an I<sup>2</sup>C system is granted provided that the system conforms to the I<sup>2</sup>C Standard Specification as defined by Philips.

STMicroelectronics Group of Companies

Australia - Brazil - China - Finland - France - Germany - Hong Kong - India - Italy - Japan - Malaysia - Malta - Morocco - Singapore - Spain  
Sweden - Switzerland - United Kingdom - U.S.A.

<http://www.st.com>