

Introduction

The purpose of this guide is to help the user fully use the PLM smartplug evaluation board in a network with other smartplug boards and a data concentrator.

The document describes how to configure the board and how to interact with it; buttons, LEDs, configuration jumpers, and all hardware components used, are described in detail. A full description of the power line communication and its configuration and commands is also provided.

The PLM smartplug evaluation board is based on the STM32F103CB microcontroller, the ST7540 PLM module, and the STPM01 mono-phase energy metering IC. It implements a PLM smartplug node which allows to monitor the energy consumption of a mains plug and to control any kind of load in on/off mode by a relay. If the user wants to control a load supplied by the monitored mains plug, it is necessary to respect a specific cabling scheme described in [Section 2](#). Moreover it is designed to fit a standard “503” wall box.

The voltage, current, power, active energy and the output status can be sent to a PLM data concentrator through a power line communication network on request. Moreover, if the power consumption changes, it is sent asynchronously to the data concentrator.

- [Section 1](#) describes document and library rules
- [Section 2](#) describes the smartplug hardware evaluation board, its modes, uses and limitations
- [Section 3](#) highlights how to use the smartplug board in a PLC network. Refer to the PLM smartplug FW UM1459 user manual for more firmware and communication protocol details

[Section 4](#) shows the board schematics and bill of material. Refer to the PLM smartplug HW UM1458 user manual for more hardware details.

Contents

- 1 Document and library rules 5**
 - 1.1 Acronyms 5

- 2 PLM smartplug evaluation board 6**
 - 2.1 Board introduction 6
 - 2.2 Main hardware components 8
 - 2.3 Power-on and board usage 8
 - 2.3.1 PLM smartplug application configuration 8
 - 2.3.2 PLM smartplug application running 9
 - 2.4 Board and application limitations 11

- 3 PLM network and frames 12**
 - 3.1 PLM network parameters 12

- 4 Bill of material and schematics 13**

- 5 Revision history 30**

List of tables

Table 1.	List of acronyms	5
Table 2.	Jumper default position	8
Table 3.	Terminal commands	10
Table 4.	Classes variables description	11
Table 5.	ST7540 configuration	12
Table 6.	BOM (part 1)	13
Table 7.	BOM (part 2)	18
Table 8.	Document revision history	30

List of figures

Figure 1.	STEVAL-IHP002V2 smartplugV2 evaluation board	6
Figure 2.	STEVAL-IHP002V2 PLM smartplugV2 evaluation board block diagram	7
Figure 3.	Network example	9
Figure 4.	Top page.	23
Figure 5.	Power supply section	24
Figure 6.	USART expansion connector section	25
Figure 7.	Power line modem section	26
Figure 8.	MCU section	27
Figure 9.	STPM01	28
Figure 10.	Output drivers	29

1 Document and library rules

This document uses the conventions described in the sections below.

1.1 Acronyms

Table 1 list the acronyms used in this document.

Table 1. List of acronyms

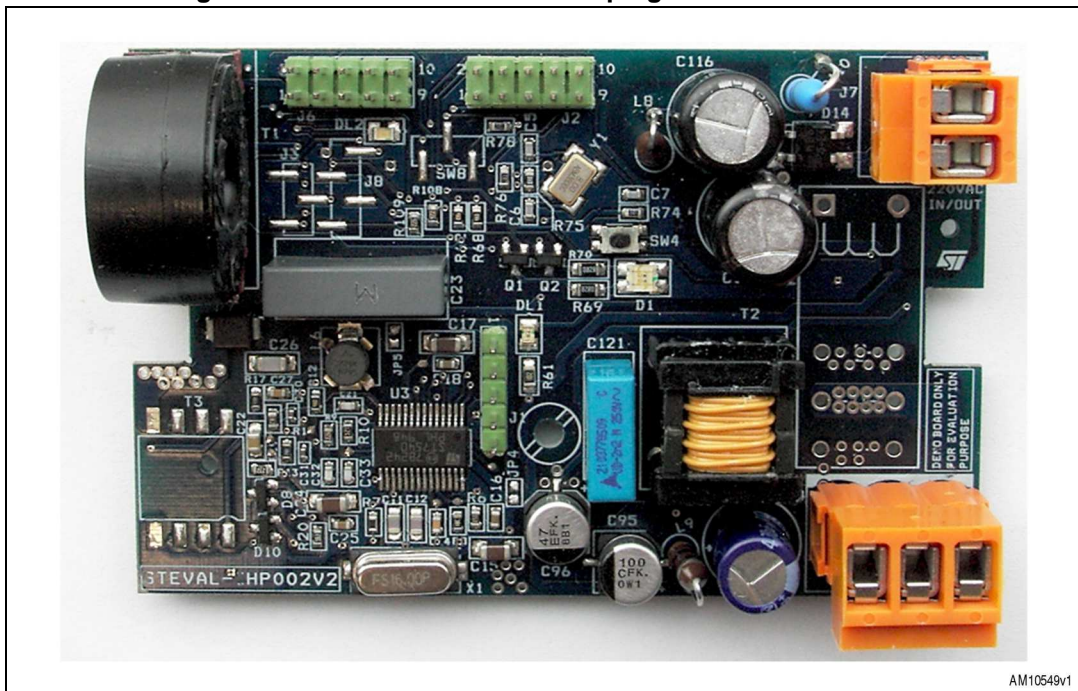
Acronym	Meaning
APP	Application
API	Application programming interface
HAL	Hardware abstraction layer
RTOS	Real time operating system
PLM	Power line modem
PLC	Power line communication
MCU	Microcontroller unit
SPI	Serial peripheral interface
OOP	Object oriented programming

2 PLM smartplug evaluation board

2.1 Board introduction

The application described in this document refers to the STEVAL-IHP002V2 evaluation board (see UM1458).

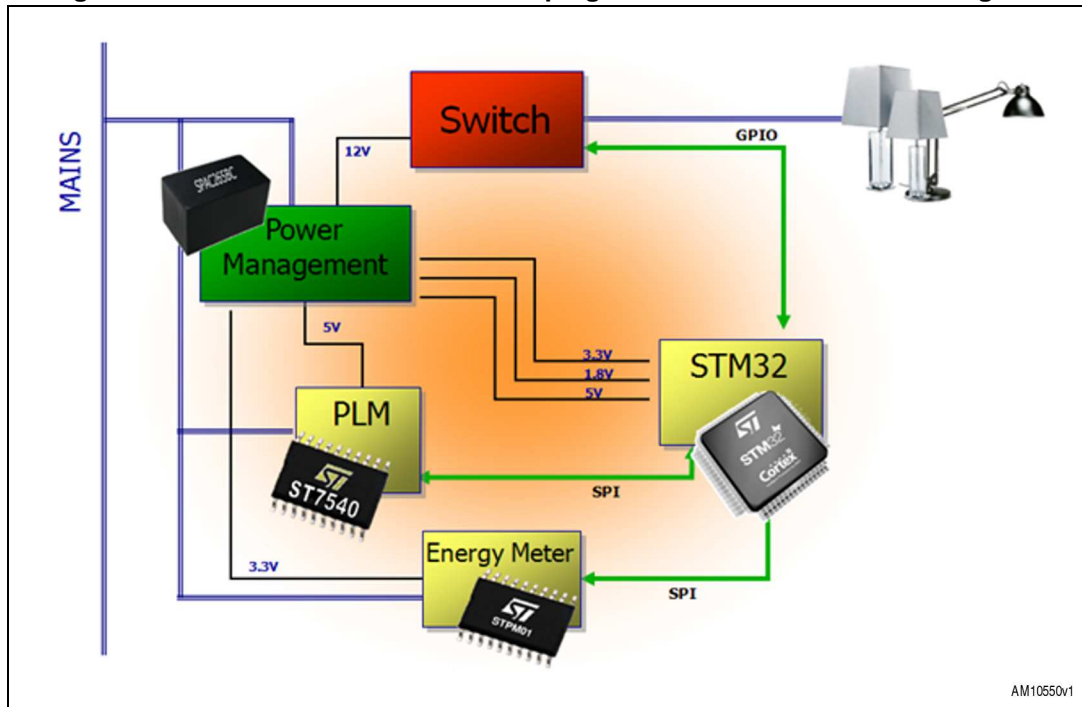
Figure 1. STEVAL-IHP002V2 smartplugV2 evaluation board



The board includes the following functions shown in the block diagram of [Figure 2](#):

- Energy measurement by STPM01 IC
- Power line communication by ST7540 up to 4.8 kbps
- UART connectivity or expansion connector
- Output with two contacts (NO/NC) and common contact for generic load.

Figure 2. STEVAL-IHP002V2 PLM smartplugV2 evaluation board block diagram



Warning: The board must be used only by expert technicians. Due to the high voltage (220 Vac) special care should be taken with regard to human safety. There is no protection against accidental human contact with high voltages. After disconnection of the board from the mains, none of the live parts should be touched immediately because of the energized capacitors. It is mandatory to use a mains insulation transformer to perform any debugging/tests on the board in which debugging and test instruments like USB-JTAG dongles, spectrum analyzers, or oscilloscopes are used. Do not connect any oscilloscope probes to high voltage sections in order to avoid damaging instruments and evaluation tools. STMicroelectronics assumes no responsibility for any consequences which may result from the improper use of this tool.

2.2 Main hardware components

The following is a list of the PLM smartplug evaluation board main hardware components:

- An STM32F103CB microcontroller running the application firmware
- An STPM01 mono-phase energy metering IC
- An ST7540 power line modem: used to provide PLC connectivity to the system
- 1 bi-color status LED: green/red LED for application status scope
- 1 configuration jumper (SW8): used to inform the MCU that the STPM01 calibration tool is connected
- 1 microcontroller reset button (SW4): used to force an MCU reset
- 1 USART expansion connector for configuration (J3)
- 1 I²C expansion connector for dual-interface EEPROM connection (J8).

Detailed information about the PLM smartplug evaluation board hardware can be found in the UM1458 user manual.

2.3 Power-on and board usage

Before turning on the board for the first time, make sure that the following configuration jumpers are fitted or unfitted according to the following default table:

Table 2. Jumper default position

Jumper	Description	Default
SW8	– Fitted (1-2): calibration mode – Fitted (2-3): normal mode	Fitted (2-3)

2.3.1 PLM smartplug application configuration

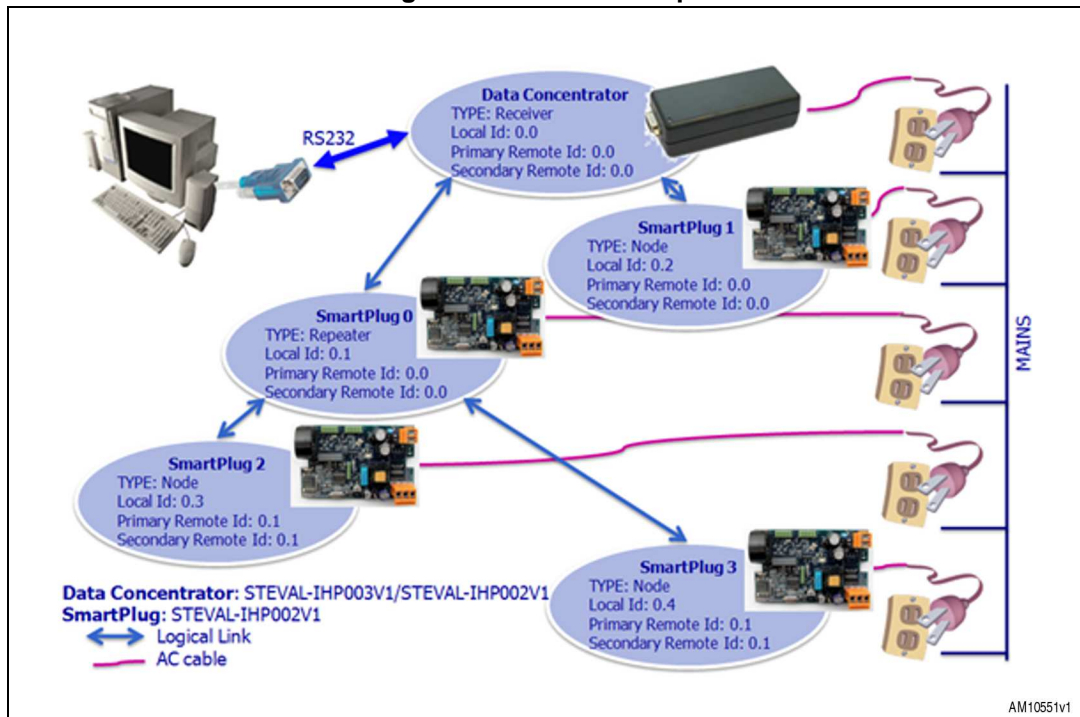
The STPM01 is configured to work using the internal shadow latch which is loaded with parameters stored in the internal flash of the MCU; however the STPM01 can be calibrated by putting jumper SW8 in calibration mode and using the on-board calibration connector before powering up the board. For details please refer to the UM1458 user manual.

The first time the board is powered up, information regarding the addresses used for the communication protocol and the network functions, which are stored in the MCU embedded Flash, are blank; therefore, after the first boot this information must be initialized using a PC software application running on a PC connected to the board by the RS232 port adaptor connected to the expansion connectors J3 and J1; for details about this configuration procedure please refer to the AN3046 application note. For the PLM smartplug board the procedure described in AN3046 must be used only for configuration purposes.

2.3.2 PLM smartplug application running

After configuration, the board can be used in a network; the address configuration of each board must be consistent with the chosen network topology: *Figure 3* shows an example of a network and the related network addresses and node function configuration.

Figure 3. Network example



The data concentrator firmware is also provided in order to build a complete network solution; it can be loaded into one of the available smartplug boards (STEVAL-IHP002V2) or it is possible to order STEVAL-IHP003V1 separately, which has a better form factor for PC connection, and program it with the data concentrator firmware.

The data concentrator accepts commands, provides the command responses, and also the asynchronous messages from smartplugs and some debug information through the RS232 connection; a basic I/O text terminal has been implemented through this connection in order to provide the commands and print responses by text using a terminal PC software such as "HyperTerminal"; the local echo of the terminal software must be enabled in order to have a visual text feedback. Each text command must be completed by the <enter> key and is "case" sensitive. The following commands are implemented:

Table 3. Terminal commands

Commands	Description
“get”	Used to request information to a remote smartplug. After the command the modem answers with the string “COMMAND->GET” to confirm the command acquisition and waits for one of the command classes which identify the data to request. The command classes are described in Table 4 .
“set”	Used to write information to a remote smartplug. After the command the modem answers with the string “COMMAND->SET” to confirm the command acquisition and waits for one of the command classes which identify the data to write. The command classes are described in Table 4 .
“identify”	Used to identify a specific smartplug inside the network. After the command the modem answers with the string “COMMAND->IDENTIFY” to confirm the command acquisition and wait for the string “single” followed by the <enter> key to complete the command. The command completion is confirmed by the string “CLS-> single”; after the command the modem waits for the node ID to identify printing the string “<NODE_ID>”. The smartplug identified by the inserted node ID flashes its LEDs.
“list”	Used to list the smartplug in the network already connected to the data concentrator. After the command the modem answers with the string “COMMAND->LIST NODES” and with the list of the smartplug ID and address
“route”	Used to print the routing table. After the command the modem answers with the string “COMMAND->ROUTE” and with the routing table

For the commands “get” and “set” it is possible to specify the class variable to write/read; [Table 4](#) describes these variables. The text terminal interface is also used to show debug information: each received frame is printed in hexadecimal format and the payload information is printed too, as shown in the following examples for the frame transferring all measurement information and for the one transferring the status information:

```

Frame Rx ->
00 00 03 00 00 02 01 BC 82 03 00 00 00 00 00 00 00 00 00 00 00 00 00
01 BC 82 03 00 00 00 00 00 00 00 00 00 00 00 00 00 00 00 00 00 00
RSP Voltage -> 230076   Current -> 0   Power -> 0   Energy -> 0
    
```

```

Frame Rx ->
00 00 03 00 01 02 02 01 FF FF
02 01 FF FF
RSP Type -> 1   Main Val -> 255 Aux Val -> 255
    
```

In addition to the debug information, the information extracted by the application layer is printed, as shown in the following example:

Smartplug-id: voltage; current; power;

Where

- id: smartplug ID (0..255)
- voltage: mains voltage in mVolt
- current: load current in mAmpere
- power: load power consumption in Watt.



After setting a new status of the mains output the smartplug sends back a frame with the new status and the data concentrator prints out the following text message:

Status-id: status;

Where

- id: smartplug ID (0..255)
- status: smartplug output status (0..255).

These strings can easily interpreted by a PC application for a better presentation.

Table 4. Classes variables description

Class	Description
"cons"	Information variable that stores the power consumption. It is a read-only variable.
"all"	Information variable that stores all measurements: – Voltage [mVolt] – Current [mA] – Power [mW] – Energy [Wh] It is a read-only variable.
"status"	Information variable that stores the status the output relay. It is a read/write variable.

2.4 Board and application limitations

The smartplug is for evaluation purposes only so there are some limitations:

- At startup there is a delay before the smartplugs start to send data to the concentrator
- The STPM01 calibration hasn't been done to obtain the accuracy necessary for fiscal metrology
- The relay has been tested with a maximum load equal to 1.8 kW.

3 PLM network and frames

Details regarding the network information and frames can be found in the PLM smartplug FW UM1459 user manual and in the AN3046 application note.

3.1 PLM network parameters

During startup, each node configures the ST7540 with the following parameters:

Table 5. ST7540 configuration

Configuration parameter	Parameter value
Carrier frequency	132.5 kHz
Baud rate	2400 bps
Deviation	0.5
Watchdog	Disabled
Transmission timeout	Disabled
Frequency detection time	300 msec.
Detection method	Preamble detection with conditioning
Mains interfacing mode	Synchronous
Output clock	Off
Output voltage level freeze	Disabled
Header recognition	Enabled
Frame length count	Disabled
Header length	16 bits
Extended register	Enabled
Sensitivity mode	Sensitivity high
Input filter	Enabled
Frame header	0xE389
Frame length	1
Configuration bytes values	0x1 0x89 0xE3 0xF7 0x94 0x17

4 Bill of material and schematics

Table 6. BOM (part 1)

Reference	Part / value	Tolerance%	Voltage current	Watt	Technology information	Package-foot-print
C5, C6	22 pF	+/-10%	50 V		Ceramic capacitor X7R	SMD 0603
C122	470 nF	+/-10%	50 V		Ceramic capacitor X7R	SMD 0805
C7	22 pF	+/-10%	50 V		Ceramic capacitor X7R	SMD 0603
C11, C12	33 pF	+/-10%	50 V		Ceramic capacitor X7R	SMD 0805
C14, C27, C103, C114, C115	10 nF	±10%	50 V		Ceramic capacitor X7R	SMD 0603
C15, C17, C24	10 µF	±10%	16 V		Ceramic capacitor X7R	SMD 1206
C16, C18, C25, C109, C110, C111, C112, C113, C97, C98, C99, C100, C104	100 nF	±10%	50 V		Ceramic capacitor X7R	SMD 0603
C21, C33	100 pF	±5%	50 V		Ceramic capacitor COG	SMD 0603
C22	10 µF	±10%	10 V		Ceramic capacitor X5R	SMD 0805
C23	68 nF	±20%	300 V		X2 capacitor	Through hole
C26	6.8 nF	±5%	50 V		Ceramic capacitor COG	SMD 1206
C30	15 pF	±5%	50 V		Ceramic capacitor COG	SMD 0402
C31	22 pF	±5%	50 V		Ceramic capacitor COG	SMD 0402
C32	270 pF	±5%	50 V		Ceramic capacitor COG	SMD 0603
C95	100 µF	+/-20%	16 V		Electrolytic capacitor	SMD
C96	47 µF	+/-20%	25 V		Electrolytic capacitor	SMD
C101	10 µF	10%	10 V		Tantalium capacitor	SMD
C123	10 nF	+/-10%	50 V		Ceramic capacitor X7R	SMD 0805

Table 6. BOM (part 1) (continued)

Reference	Part / value	Tolerance%	Voltage current	Watt	Technology information	Package-foot-print
C124	1 nF	+/-10%	50 V		Ceramic capacitor X7R	SMD 0805
C108	1 nF	+/-10%	50 V		Ceramic capacitor X7R	SMD 0603
C116, C117	4.7 μ F	+/-20%	400 V		Electrolytic capacitor	Through hole
C118	470 pF	+/-10%	400 V		Ceramic capacitor X7R	SMD 1206
C119	470 μ F	+/-20%	16 V		Electrolytic capacitor low ESR	Through hole
C120	2.2 μ F	+/-10%	35 V		Tantalium capacitor	SMD
C121	2.2 nF	+/-20%	250 V		Y2 ceramic capacitor	Through hole
DL1	Red				Chip LED	SMD 0805
DL2	Blue				Chip LED	SMD 0805
D1	Bi-color LED red/green				LED bi-red, green	SMD
D6, D13, D17	LL4148				Switching diode_	SOD-80
D8, D10	BAT54S				Small signal Schottky diodes	SOT-23
D9	SM6T15CA				Transil	SMB
D14	MB6S-RC				Diode bridge	SOIC4
D15	STPS1H100A				High voltage power Schottky rectifier	SMA
D16	STTH1L06A				Turbo 2 ultrafast high voltage rectifier	SMA
F1	1 A				Fuse with clip 1 A	SMD
IC3	LD1117ADT33TR				Low drop fixed and adjustable positive voltage regulators	DPAK
JP4, JP5	Close				Do not fit	Do not fit
J1	Peak meter connector				5-way single row stripline connector (male connector) 2,54 mm pitch	Vertical through hole
J2	JTAG				2x10-way double row stripline connector (male connector) 2,54 mm pitch	Vertical through hole
J3	USART				3-way single row stripline connector (male connector) 2,54 mm pitch	SMD

Table 6. BOM (part 1) (continued)

Reference	Part / value	Tolerance%	Voltage current	Watt	Technology information	Package-foot-print
J4	CON3				3-way vertical closed header, 5.08 mm pitch	Through hole
J6	CAL CON				2x10-way double row stripline connector (male connector) 2,54mm pitch	Vertical through hole
J7	CON2				2-way vertical closed header, 5.08 mm pitch	Through hole
J8	RFID reader				4-way single row stripline connector (male connector) 2,54 mm pitch	SMD
L5	22 μ H	$\pm 10\%$	2.1 A		SMD inductor	SMD
L6	220 μ H	$\pm 10\%$	240 mA		SMD inductor	SMD
L8	470 μ H	+/-5%	170 mA		Inductor	Through hole
L9	10 μ H	+/-10%	500 mA		Inductor	Through hole
Q1, Q2	BC857B				PNP transistor	SOT23
Q5	2STR1215				Low voltage fast-switching NPN power transistor	SOT-23
R6	1.1 k Ω	+/-1%		0.1 W	Resistor	SMD 0603
R7	47 k Ω	+/-1%		0.1 W	Resistor	SMD 0603
R8	15 k Ω	+/-1%		0.1 W	Resistor	SMD 0603
R9, R88, R71, R72, R73, R108, R109	4.7 k Ω	+/-1%		0.1 W	Resistor	SMD 0603
R10	13 k Ω	+/-1%		0.1 W	Resistor	SMD 0603
R12, R62, R68, R90, R93	1 k Ω	+/-1%		0.1 W	Resistor	SMD 0603
R13	2.7 k Ω	+/-1%		0.1 W	Resistor	SMD 0603
R14	1.8 k Ω	+/-1%		0.1 W	Resistor	SMD 0603
R17	470 Ω	+/-1%		0.1 W	Resistor	SMD 0603
R19, R85, R86, R87	2.4 k Ω	+/-1%		0.1 W	Resistor	SMD 0603
R20	56 k Ω	+/-1%		0.1 W	Resistor	SMD 0603
R21, R22, R96, R97, R101, R102	261 k Ω	+/-1%		1/8 W	Mini melf resistor	SMD 0805
R61, R106	1 k Ω	+/-5%		1/8 W	Resistor	SMD 0805

Table 6. BOM (part 1) (continued)

Reference	Part / value	Tolerance%	Voltage current	Watt	Technology information	Package-foot-print
R74, R76, R77, R78, R79	10 kΩ	+/-5%		0.1 W	Resistor	SMD 0603
R112, R118	10 kΩ	+/-5%		1/8 W	Resistor	SMD 0805
R69, R70	82 Ω	+/-5%		1/8 W	Resistor	SMD 0805
R75	1 MΩ	+/-5%		0.1 W	Resistor	SMD 0603
R89	560 Ω	+/-1%		0.1 W	Resistor	SMD 0603
R91, R92	6.8 Ω	+/-1%		0.1 W	Resistor	SMD 0603
R94	2 MΩ	+/-1%		1/4 W	Resistor	SMD 1206
R95	0	+/-1%		0.1 W	Resistor	SMD 0603
R98, R103	475 Ω	+/-1%		1/8 W	Mini melf resistor	SMD 0805
R99	43 kΩ	+/-1%		0.1 W	Resistor	SMD 0603
R100	100 Ω	+/-1%		0.1 W	Resistor	SMD 0603
R105	1 kΩ (do not fit)	+/-1%		1/4 W	Resistor	SMD 1206
R110	22 Ω	+/-5%		1 W	Fuse resistor	Through hole
R111	120 kΩ	+/-5%		1/4 W	Resistor	SMD 1206
R113	10 Ω	+/-5%		1/8 W	Resistor	SMD 0805
R114	27 kΩ	+/-1%		1/8 W	Resistor	SMD 0805
R115	4.7 kΩ	+/-1%		1/8 W	Resistor	SMD 0805
R116	2.2 Ω	+/-1%		1/8 W	Resistor	SMD 0805
R117	22 Ω	+/-1%		1/8 W	Resistor	SMD 0805
RV1	VAR275V		275 V		SMD varistor	SMD
SW4	Rst				Surface mount tactile switch	SMD
SW8	Calibration settings				3-way single row stripline connector (male connector) 2,54 mm pitch	SMD
TP8, TP9, TP10, TP11, TP12, TP13, TP14, TP15, TP16, TP17, TP18, TP19, TP20, TP21, TP22, TP23, TP25, TP26, TP27	Test point				Test point	Test point
T1	Current transformer				Current transformer	Through hole

Table 6. BOM (part 1) (continued)

Reference	Part / value	Tolerance%	Voltage current	Watt	Technology information	Package-foot-print
T2	Custom transformer				Custom transformer	Through hole
T3	Line transformer				Line transformer	SMD
U3	ST7540				FSK power line transceiver	HTSSOP28
U11	STM32F103CBT6				Medium-density performance line ARM-based 32-bit MCU	LQFP48
U12	STPM01				Programmable single-phase energy metering IC with tamper detection	TSSOP20
U13	ALTAIR05T-800					
X1	16 MHz				16 MHz crystal	SMD
Y1	8 MHz				8 MHz crystal	SMD
k2	16 A 12 Vdc coil (do not fit)		12 V/ 16 A		Low profile SPDT power relay	Through hole
C5, C6	22 pF	+/-10%	50 V		Ceramic capacitor X7R	SMD 0603
C122	470 nF	+/-10%	50 V		Ceramic capacitor X7R	SMD 0805
C7	22 pF	+/-10%	50 V		Ceramic capacitor X7R	SMD 0603
C11, C12	33 pF	+/-10%	50 V		Ceramic capacitor X7R	SMD 0805
C14, C27, C103, C114, C115	10 nF	±10%	50 V		Ceramic capacitor X7R	SMD 0603
C15, C17, C24	10 uF	±10%	16 V		Ceramic capacitor X7R	SMD 1206
C16, C18, C25, C109, C110, C111, C112, C113, C97, C98, C99, C100, C104	100 nF	±10%	50 V		Ceramic capacitor X7R	SMD 0603
C21, C33	100 pF	±5%	50 V		Ceramic capacitor COG	SMD 0603
C22	10 µF	±10%	10 V		Ceramic capacitor X5R	SMD 0805
C23	68 nF	±20%	300 V		X2 capacitor	Through hole

Table 6. BOM (part 1) (continued)

Reference	Part / value	Tolerance%	Voltage current	Watt	Technology information	Package-foot-print
C26	6.8 nF	±5%	50 V		Ceramic capacitor COG	SMD 1206
C30	15 pF	±5%	50 V		Ceramic capacitor COG	SMD 0402
C31	22 pF	±5%	50 V		Ceramic capacitor COG	SMD 0402
C32	270 pF	±5%	50 V		Ceramic capacitor COG	SMD 0603
C95	100 µF	+/-20%	16 V		Electrolytic capacitor	SMD
J7a	CON3				2-way cable mount screw terminal, 5.08 mm	Through hole

Table 7. BOM (part 2)

Reference	Manufacturer	Manufacturer code	RS/Distelec/other code	More info
C5, C6				
C122				
C7				
C11, C12				
C14, C27, C103, C114, C115	muRata	GRM188R71H103KA01D	RS code: 204-0779	
C15, C17, C24	KEMET	C1206C106K4PAC7800	RS code: 648-0755	
C16, C18, C25, C109, C110, C111, C112, C113, C97, C98, C99, C100, C104	muRata	GRM188R71H104KA93D	RS code: 624-2480	
C21, C33	muRata	GRM1885C1H101JA01D	RS code: 653-0327	
C22	muRata	GRM21BR61A106KE19L	RS code: 106-846	
C23	Any		Distrelec code: 821885	
C26	muRata	GRM3195C1H682JA01D	RS code: 624-2597	
C30	muRata	GRM1555C1H150JZ01D	RS code: 624-2935	
C31	muRata	GRM1555C1H220JZ01D	RS code: 624-2187	
C32	KEMET	C0603C271J5GAC7867	RS code: 147-207	
C95	Any		RS code: 565-695	

Table 7. BOM (part 2) (continued)

Reference	Manufacturer	Manufacturer code	RS/Distelec/other code	More info
C96	Any		RS code: 565-712	
C101	Any		RS code: 464-7619	
C123				
C124				
C108				
C116, C117	Any		RS code: 365-4745	
C118	Any		RS code: 192-718	
C119	Any		Distelec code: 801839	
C120	Any		RS code: 699-3324	
C121	Any		RS code: 216-1595	
DL1	Any		Distelec code: 250154	
DL2	Any		Distelec code: 250159	
D1	Any		RS code: 419-053	
D6, D13, D17	Any		Distelec code: 601496	
D8, D10	STMicroelectronics	BAT54SFILM		
D9	STMicroelectronics	SM6T15CA		
D14	Taiwan Semiconductor		RS code: 652-7501	
D15	STMicroelectronics	STPS1H100A		
D16	STMicroelectronics	STTH1L06A		
F1	Schurter	3404.2416.22	RS code: 703-2742	
IC3	STMicroelectronics	LD1117ADT33TR		
JP4, JP5	Do not fit	Do not fit	Do not fit	
J1	Any		RS code: 495-8470	
J2	Any		RS code: 1732764	
J3	Tyco Electronics	1241150-3	RS code: 528-6237	
J4	PHOENIX CONTACT	SL 5.08/3/180B	RS code: 294-8443	
J6	Any		RS code: 1732764	
J7	PHOENIX CONTACT	SL 5.08/2/180B4.5	RS code: 294-7428	
J8	Tyco Electronics	1241150-4	RS code: 528-6243	
L5	EPCOS	B82464A4223K	RS code: 496-0445	
L6	EPCOS	B82462A4224K	RS code: 495-8048	
L8	Any		RS code: 191-0677	

Table 7. BOM (part 2) (continued)

Reference	Manufacturer	Manufacturer code	RS/Distelec/other code	More info
L9	Any		RS code: 191-0481	
Q1, Q2	Any		RS code: 445-2051	
Q5	STMicroelectronics	2STR1215		
R6				
R7				
R8				
R9, R88, R71, R72, R73, R108, R109				
R10				
R12, R62, R68, R90, R93				
R13				
R14				
R17				
R19, R85, R86, R87				
R20				
R21, R22, R96, R97, R101, R102	Any		Digi-Key code: RT0805FRE07261K L-ND	
R61, R106				
R74, R76, R77, R78, R79				
R112, R118				
R69, R70				
R75				
R89				
R91, R92			Farnell code: 1500646	
R94				
R95				
R98, R103	Any		Digi-Key code: RT0805FRE07475R L	
R99				
R100				

Table 7. BOM (part 2) (continued)

Reference	Manufacturer	Manufacturer code	RS/Distelec/other code	More info
R105				
R110	Any		RS code: 214-0920	
R111				
R113				
R114				
R115				
R116				
R117				
RV1	EPCOS	B72650M271K72	Distelec code: 730096	
SW4	C & K	Y78B22110FP	RS code 505-9186	
SW8	Tyco Electronics	1241150-3	RS code: 528-6237	Single stripline 3 poli
TP8, TP9, TP10, TP11, TP12, TP13, TP14, TP15, TP16, TP17, TP18, TP19, TP20, TP21, TP22, TP23, TP25, TP26, TP27	Test point	Test point	Test point	
T1	VAC	T60404-E 4622-X503		
T2	MAGNETICA	1921.0013 rev.2		
T3	VAC	T60403-K5024-X044		
U3	STMicroelectronics	ST7540TR		
U11	STMicroelectronics	STM32F103CBT6		
U12	STMicroelectronics	STPM01FTR		
U13	STMicroelectronics			
X1	Any		RS code: 547-6531	
Y1	ABRACON	ABM3B-8.000 MHz-B2	RS code: 703-1997	
k2	OMRON	G2RL-1-E 12DC	RS code: 365-0535	
C5,C6				
C122				
C7				
C11, C12				

Table 7. BOM (part 2) (continued)

Reference	Manufacturer	Manufacturer code	RS/Distelec/other code	More info
C14, C27, C103, C114, C115	muRata	GRM188R71H103KA01D	RS code: 204-0779	
C15, C17, C24	KEMET	C1206C106K4PAC7800	RS code: 648-0755	
C16, C18, C25, C109, C110, C111, C112, C113, C97, C98, C99, C100, C104	muRata	GRM188R71H104KA93D	RS code: 624-2480	
C21, C33	muRata	GRM1885C1H101JA01D	RS code: 653-0327	
C22	muRata	GRM21BR61A106KE19L	RS code: 106-846	
C23	Any		Distelec code: 821885	
C26	muRata	GRM3195C1H682JA01D	RS code: 624-2597	
C30	muRata	GRM1555C1H150JZ01D	RS code: 624-2935	
C31	muRata	GRM1555C1H220JZ01D	RS code: 624-2187	
C32	KEMET	C0603C271J5GAC7867	RS code: 147-207	
C95	Any		RS code: 565-695	
J7a	Phoenix Contact	BL 5.08/2	RS code: 403-875	Not mounted on PCB

Figure 4. Top page

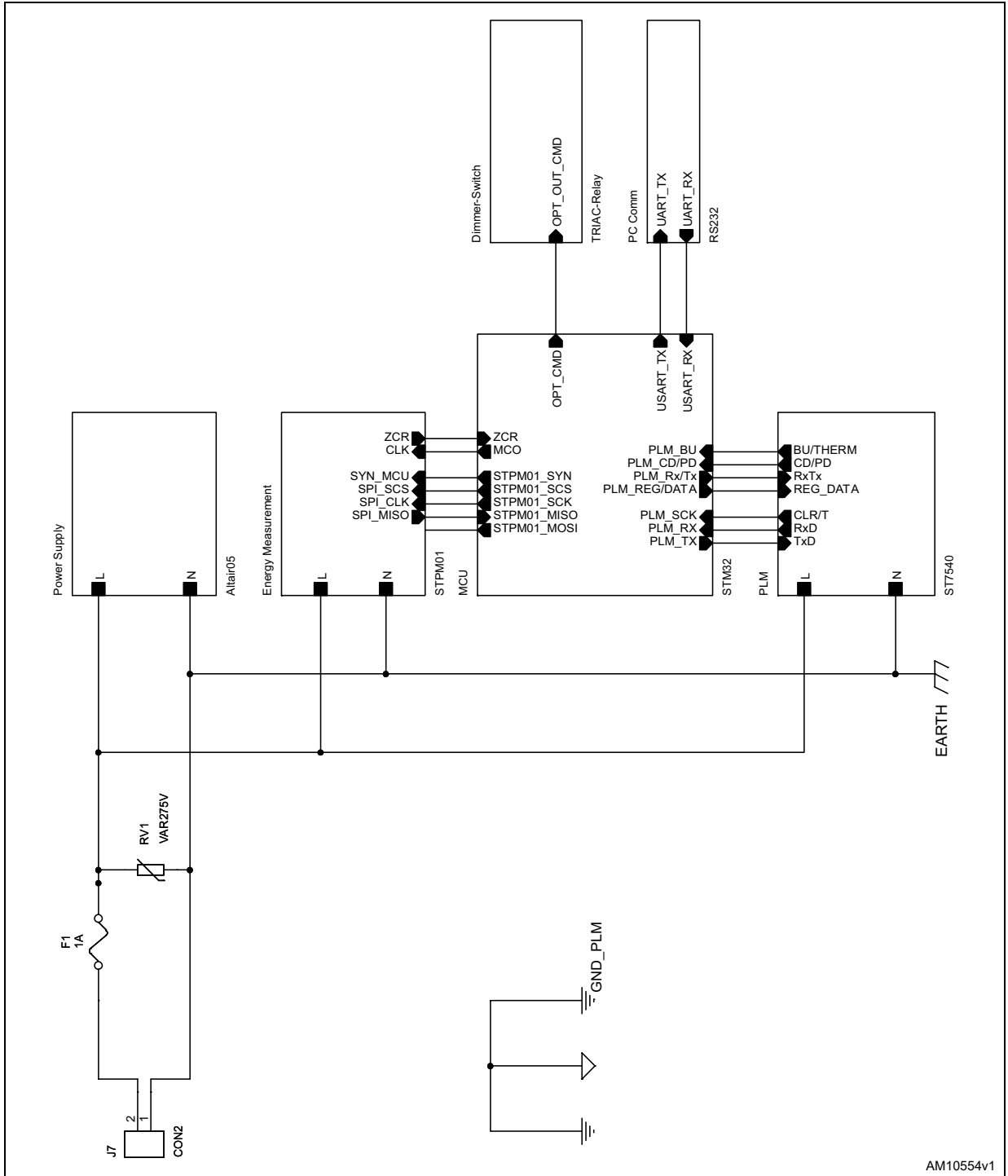
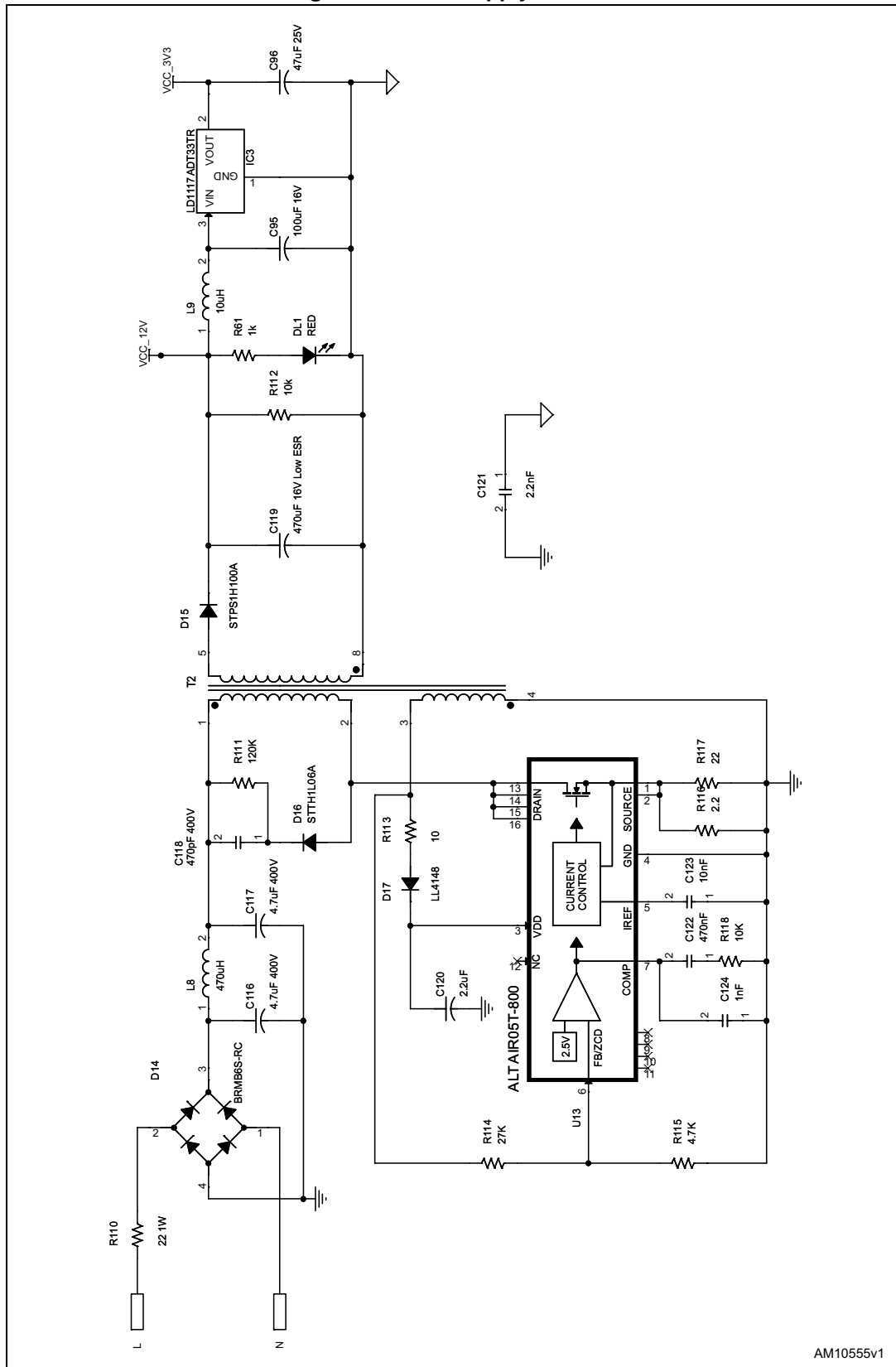


Figure 5. Power supply section



AM10555v1

Figure 6. USART expansion connector section

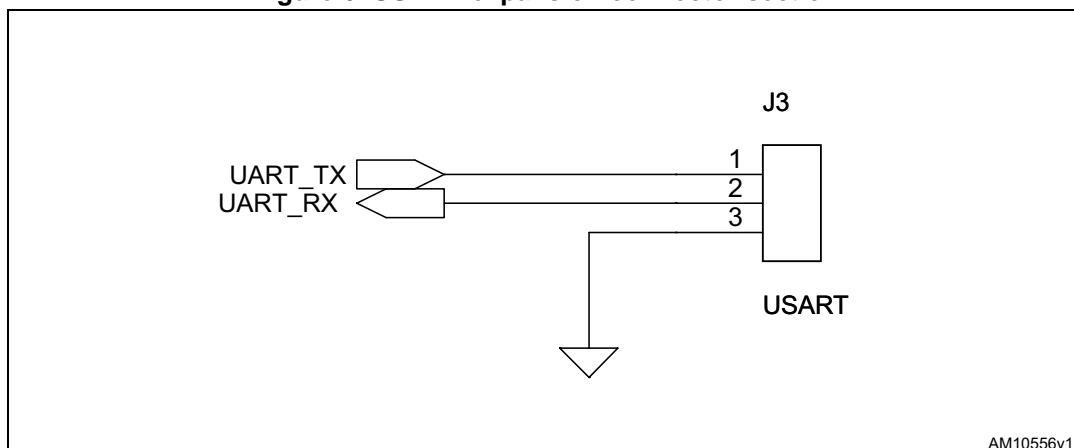
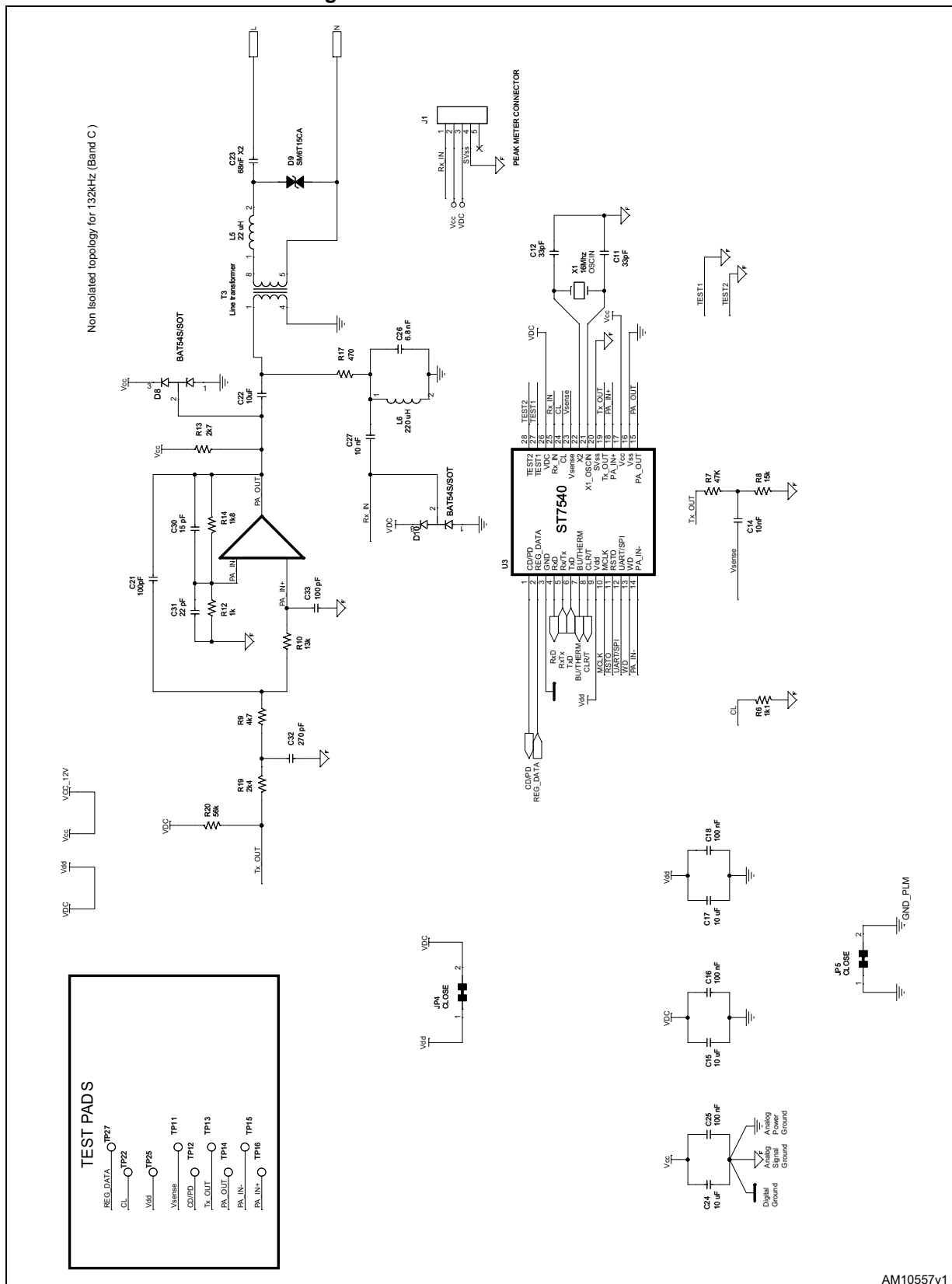


Figure 7. Power line modem section



AM10557v1

Figure 8. MCU section

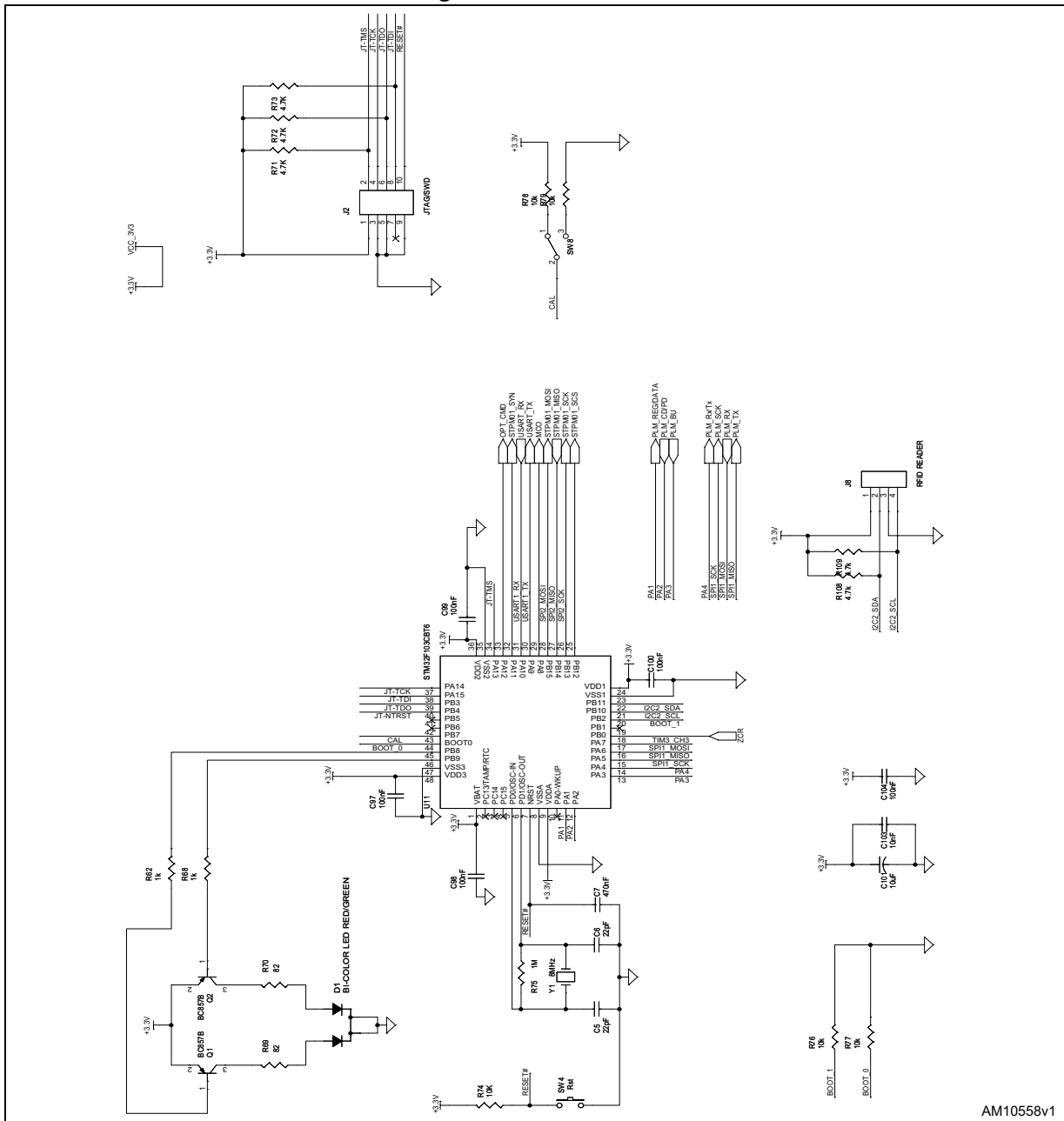
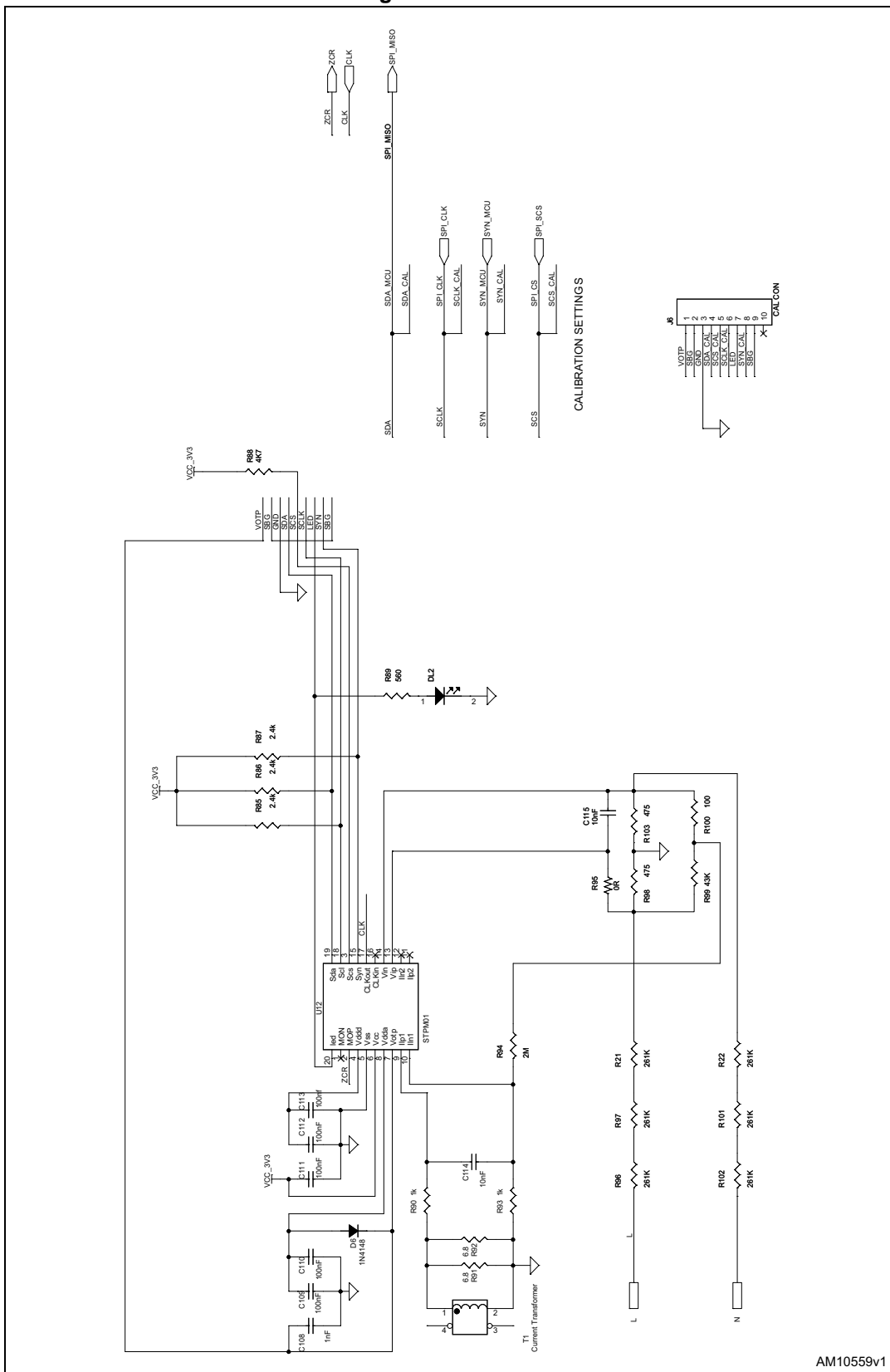
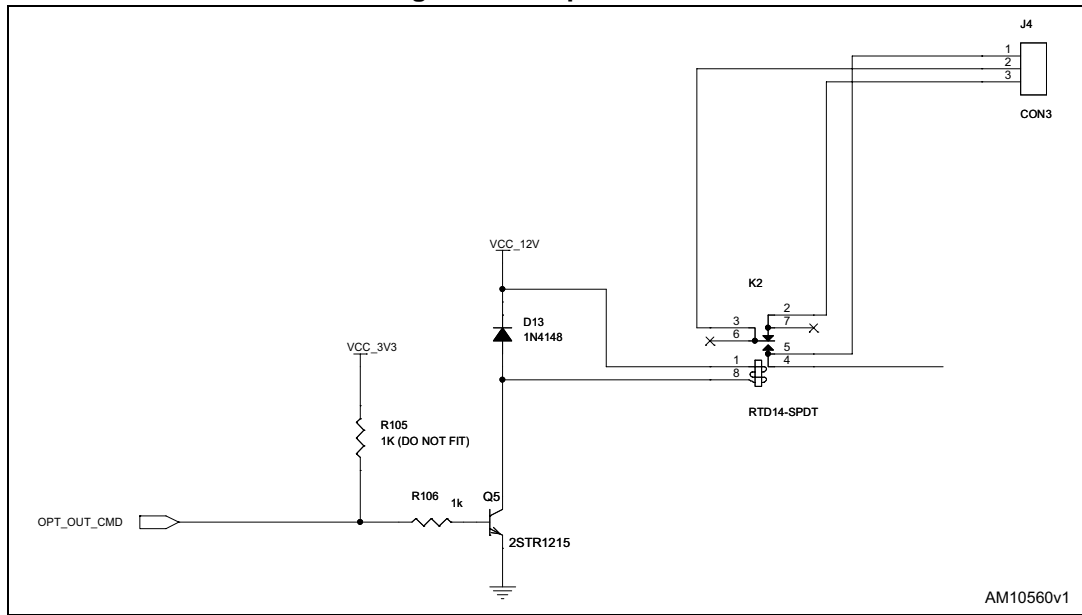


Figure 9. STPM01



AM10559v1

Figure 10. Output drivers



5 Revision history

Table 8. Document revision history

Date	Revision	Changes
09-Nov-2011	1	Initial release.
30-Jun-2015	2	Removed section: Demo PC GUI.

IMPORTANT NOTICE – PLEASE READ CAREFULLY

STMicroelectronics NV and its subsidiaries ("ST") reserve the right to make changes, corrections, enhancements, modifications, and improvements to ST products and/or to this document at any time without notice. Purchasers should obtain the latest relevant information on ST products before placing orders. ST products are sold pursuant to ST's terms and conditions of sale in place at the time of order acknowledgement.

Purchasers are solely responsible for the choice, selection, and use of ST products and ST assumes no liability for application assistance or the design of Purchasers' products.

No license, express or implied, to any intellectual property right is granted by ST herein.

Resale of ST products with provisions different from the information set forth herein shall void any warranty granted by ST for such product.

ST and the ST logo are trademarks of ST. All other product or service names are the property of their respective owners.

Information in this document supersedes and replaces information previously supplied in any prior versions of this document.

© 2015 STMicroelectronics – All rights reserved