



## Introduction

STM32F0xx microcontrollers feature a High definition multimedia interface consumer electronics control (HDMI-CEC) controller that supports the HDMI-CEC v1.4 protocol. The HDMI-CEC controller provides a hardware support of this protocol, and it supports the whole set of features offered with CEC devices.

This application note describes the CEC protocol software and hardware implementation based on the HDMI-CEC controller. A real applicative example is also provided to illustrate the software implementation.

*Table 1* lists the microcontrollers concerned by this application note.

**Table 1. Applicable products and tools**

Type	Applicable products
Microcontrollers	STM32 F0 Entry-level

# Contents

<b>1</b>	<b>High-definition multimedia interface-consumer electronics control (HDMI-CEC)</b>	<b>6</b>
1.1	Introduction	6
1.2	Frame description	6
1.3	Bit timing	7
1.4	Device connectivity and addressing	8
1.4.1	CEC communication	8
1.4.2	Enhanced DDC	9
1.4.3	Hot Plug Detect Signal	10
1.4.4	Physical address discovery	10
1.4.5	Discovery Algorithm	11
1.4.6	Logical addressing	12
1.4.7	Logical Address Allocation	12
1.5	STM32F0xx HDMI-CEC controller	13
1.5.1	Main features	13
1.5.2	HDMI-CEC advanced features	14
<b>2</b>	<b>Hardware environment</b>	<b>15</b>
2.1	HDMI connector	15
2.1.1	I2C bus	16
2.2	Hardware connection	18
<b>3</b>	<b>Firmware description</b>	<b>19</b>
3.1	Package directories	19
3.2	Firmware architecture	20
<b>4</b>	<b>STM320518-EVAL CEC demonstration</b>	<b>22</b>
4.1	CEC demonstration overview	22
4.2	Device type selection	24
4.3	Physical address discovery	25
4.4	Logical address allocation	26
4.5	Check of connected devices	26
4.6	CEC send/receive information display on the LCD	26

	4.6.1	Receive subscreen information .....	27
	4.6.2	Send information subscreen .....	28
<b>5</b>		<b>Conclusion .....</b>	<b>30</b>
<b>6</b>		<b>Revision history .....</b>	<b>31</b>

## List of figures

Figure 1.	CEC frame format . . . . .	6
Figure 2.	Message structure . . . . .	6
Figure 3.	Blocks . . . . .	7
Figure 4.	Bit timings . . . . .	7
Figure 5.	Follower acknowledge . . . . .	8
Figure 6.	CEC and DDC line connections . . . . .	8
Figure 7.	Addresses within an HDMI cluster . . . . .	9
Figure 8.	Physical address discovery algorithm. . . . .	11
Figure 9.	HDMI cable . . . . .	16
Figure 10.	Application diagram . . . . .	17
Figure 11.	Proposed electrical application diagram . . . . .	17
Figure 12.	Example of hardware connections . . . . .	18
Figure 13.	Package structure . . . . .	19
Figure 14.	Firmware architecture . . . . .	20
Figure 15.	CEC demonstration flow chart . . . . .	24
Figure 16.	Device type selection . . . . .	25
Figure 17.	Physical address identification . . . . .	25
Figure 18.	Physical and logical addresses display . . . . .	26
Figure 19.	CEC menu . . . . .	27
Figure 20.	Receive flow chart . . . . .	27
Figure 21.	Receive subscreen information . . . . .	28
Figure 22.	Send flowchart . . . . .	29
Figure 23.	Select CEC command . . . . .	29

## Glossary of acronyms and terms

**Table 2. List of acronyms and terms**

Term	Definition
Broadcast Message	A message sent to logical address 15, that all devices are expected to receive
CEC	Consumer electronics control
DDC	Display data channel
Deck	The part of a recording device or playback device which provides a playback functionality, e.g. from a removable media
Destination	The target device for a CEC message
E-DDC	Enhanced display data channel
EDID	Extended display identification data
E-EDID	Enhanced extended display identification data
Follower	A device which has just received a CEC message and is required to respond to it
HDMI	High-definition multimedia interface
(HDMI) Source	A device with an HDMI output
(HDMI) Sink	A device with an HDMI input
Initiator	The device which is sending, or has just sent a CEC message and, if appropriate, is waiting for a follower to respond
Logical address	A unique address assigned to each device
Menu Providing Device	A non-display device that may render a menu on TV
Playback device	A device which has the ability to play a media, e.g. a DVD player
Recording device	A device which has the ability to record a source such as an internal tuner or an external connection
Source Device	A device which is currently providing an AV stream via HDMI
Tuner Device	A device which contains a tuner, e.g. an STB or a recording device
TV	A device with an HDMI input which has the ability to display the input HDMI signal. Generally, it has no HDMI output

# 1 High-definition multimedia interface-consumer electronics control (HDMI-CEC)

## 1.1 Introduction

Consumer electronics control (CEC) is the appendix supplement 1 to the HDMI (high definition multimedia interface) standard.

It is a protocol which provides high-level control functions between all of the various audiovisual products in an environment. It is specified to operate at low speeds with minimum processing and memory overhead.

For more details, refer to the high-definition multimedia interface specification ([www.hdmi.org](http://www.hdmi.org)).

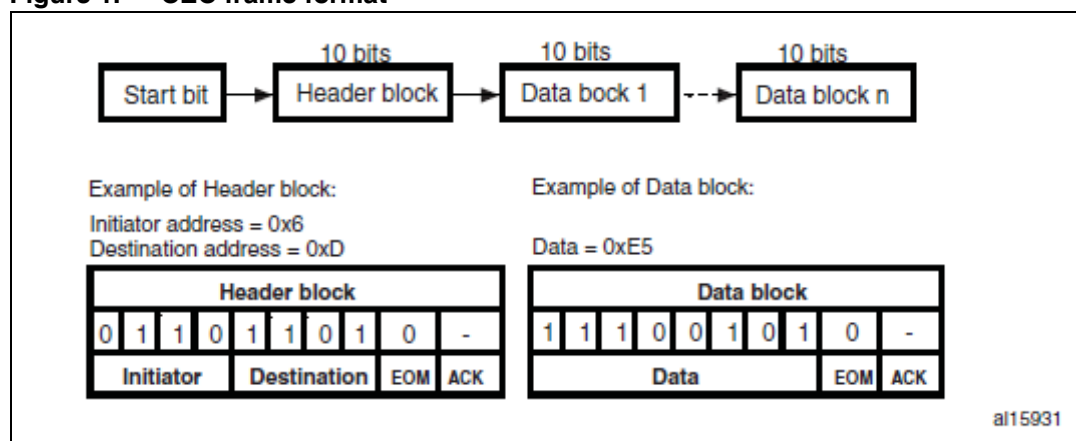
## 1.2 Frame description

The CEC bus is a single-wire protocol which can connect up to 10 audiovisual devices through standard HDMI cabling.

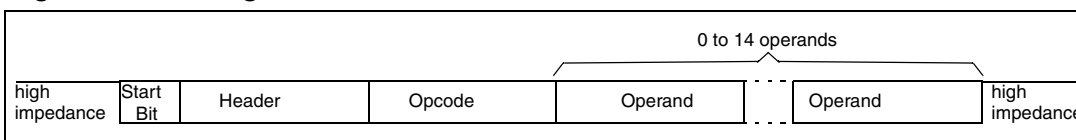
All transactions on the CEC line consist of an initiator and one or more followers. The initiator is responsible for sending the message structure and the data. The follower is the recipient of any data and is responsible for setting any acknowledgement bits.

A message is conveyed in a single frame which consists of a start bit followed by a header block and, optionally, an opcode and a variable number of operand blocks. *Figure 1.* shows a CEC frame format.

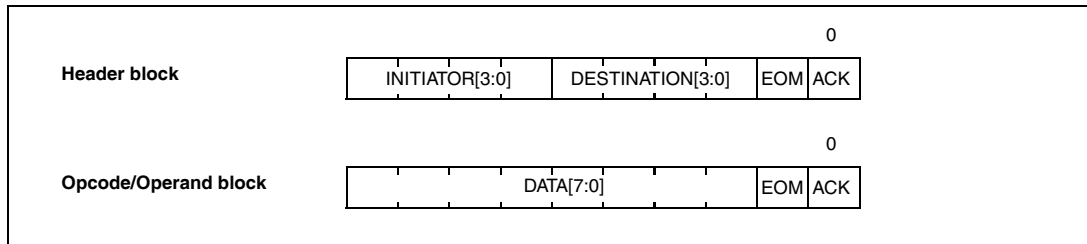
**Figure 1. CEC frame format**



**Figure 2. Message structure**



**Figure 3. Blocks**



All these blocks are made of an 8-bit payload (most significant bit transmitted first) followed by an end-of-message (EOM) bit and an acknowledge (ACK) bit.

The EOM bit is set in the last block of a message and kept cleared in all others. If a message contains additional blocks after the EOM, those additional blocks should be ignored. The EOM bit may be set in the header block to “ping” other devices and make sure that they are active.

The acknowledge bit is always brought to high impedance by the initiator. It can therefore be driven low either by the follower that has read its own address in the header, or the follower that needs to reject a broadcast message.

The header consists of the source logical address field, and the destination logical address field. Note that the special address 0xF is used for broadcast messages.

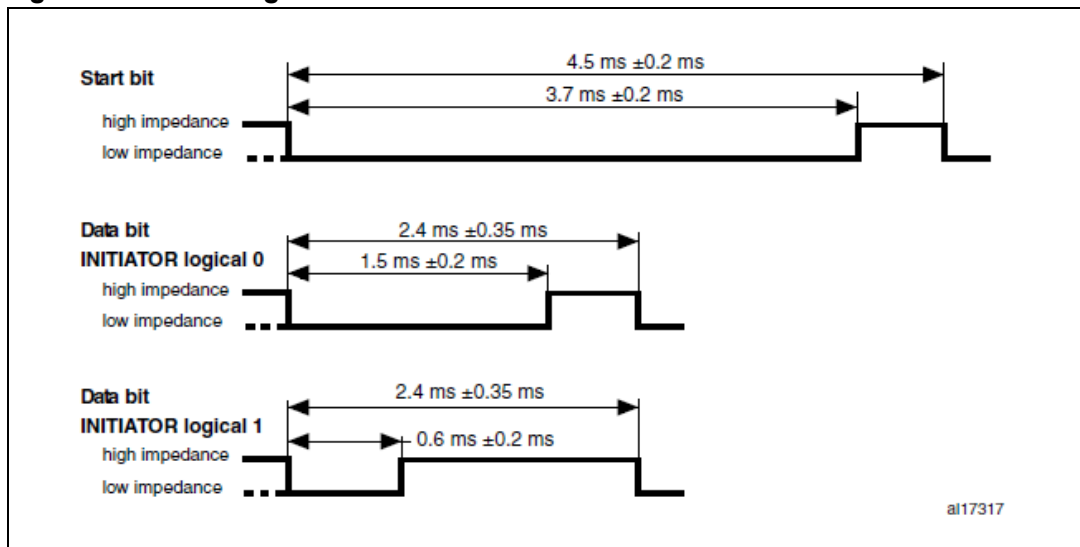
### 1.3 Bit timing

The format of the start bit is unique and identifies the start of a message. It should be validated by its low duration and its total duration.

All remaining data bits in the message, after the start bit, have a consistent timing. The high-to-low transition at the end of the data bit is the start of the next data bit except for the final bit where the CEC line remains high.

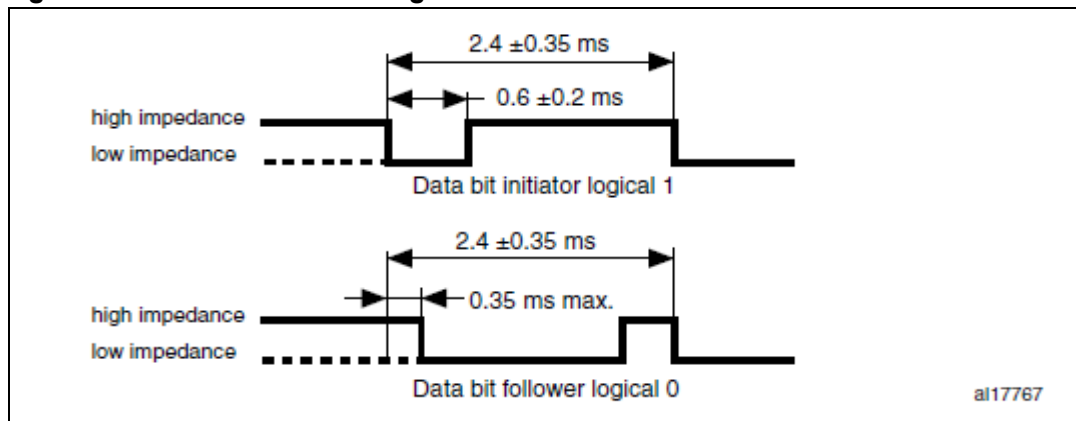
Figure 4 shows the timings of the start bit and the different data bits.

**Figure 4. Bit timings**



CEC Figure 5 shows an example bit with both initiator and follower where the follower may assert the bit to logical 0 to acknowledge a data block. The initiator outputs a logical 1, thus allowing the follower to change the CEC state by pulling the control line low for the duration of the safe sample period.

**Figure 5. Follower acknowledge**



## 1.4 Device connectivity and addressing

### 1.4.1 CEC communication

By definition, the HDMI system architecture consists of sources and sinks. A given device may have one or more HDMI input(s) and output(s). Each HDMI input on the device should follow all the rules for an HDMI sink, and each HDMI output should follow all the rules for an HDMI source.

The communication between the source device and the sink device implemented through the DDC lines is an I2C bus included in the HDMI cable.

The DDC is used for configuration and status exchange between a single source and a single sink. The optional CEC protocol provides high-level control functions between all of the various audiovisual products in a user's environment.

**Figure 6. CEC and DDC line connections**

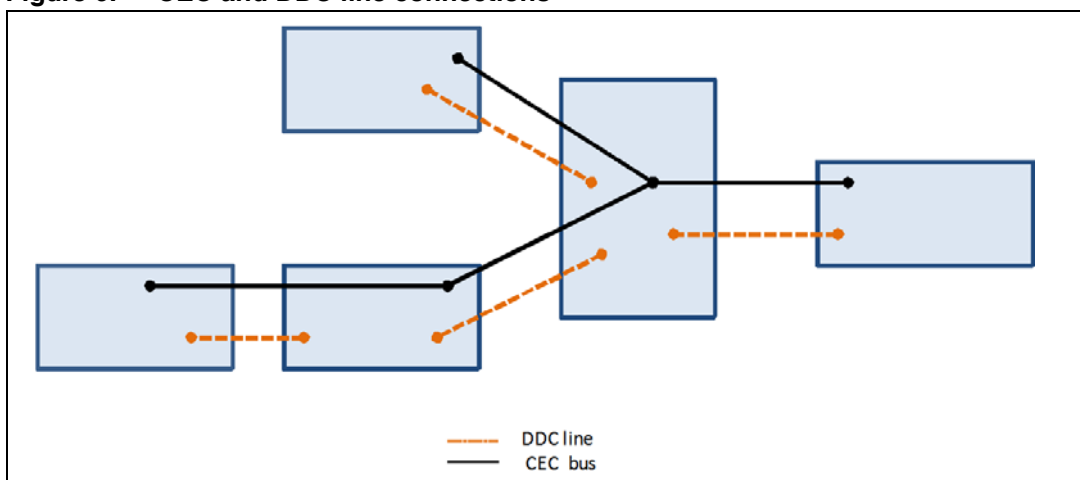
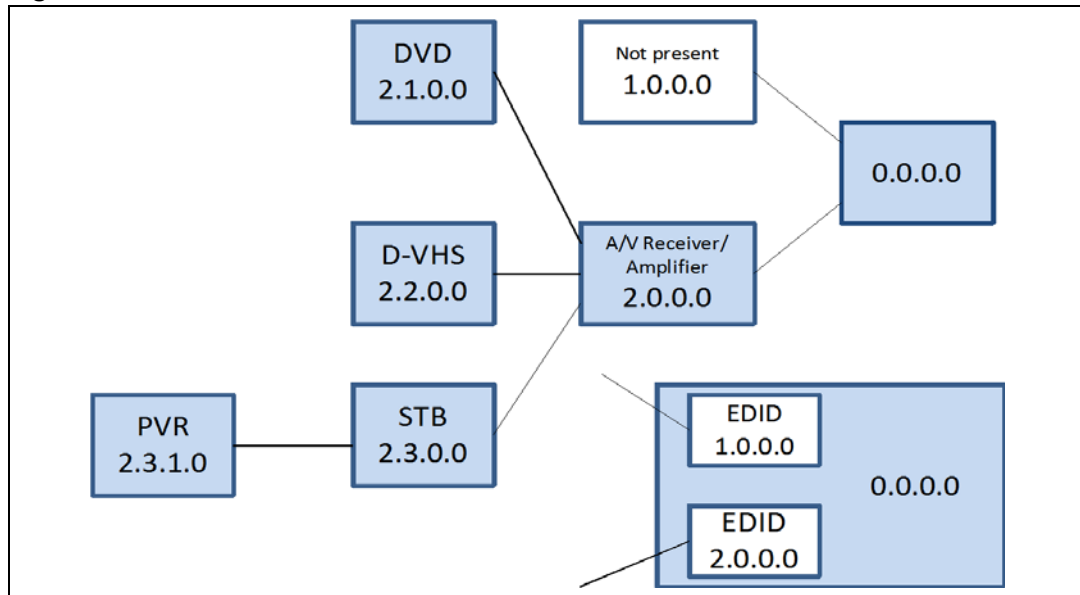




Figure 7. Addresses within an HDMI cluster



## 1.4.2 Enhanced DDC

Enhanced DDC described in this section is defined in VESA “ENHANCED DISPLAY DATA CHANNEL STANDARD Version 1 (September 2, 1999)”. All sinks are required to support these enhanced DDC features. If the E-EDID structure of a sink is longer than 256 bytes, it should support the segment pointer.

### Timing

Data is synchronized with the SCL signal and timing should comply with the Standard Mode of the I2C specification (100 kHz maximum clock rate).

I2C Bus is a standard two-wire (clock and data) serial data bus protocol. Refer to the I2C specification for details.

Note that an HDMI sink may hold off the DDC transaction by stretching the SCL line during the SCL-low period following the Acknowledge bit as permitted by the I2C specification. All HDMI sources should delay the DDC transaction while the SCL line is being held low.

### Data Transfer Protocols

The source should use I2C commands to read information from a sink’s E-EDID with a slave address.

In an Enhanced DDC, a segment pointer is used to allow the addressing of the E-EDID outside the normal 256-byte limit of the 0xA0/0xA1 address pair. The Enhanced DDC protocol sets the segment pointer before the remainder of the DDC command.

### Segment pointer

Enhanced DDC allows access of up to 32 Kbytes of data. This is accomplished using a combination of the 0xA0/0xA1 address pair and a segment pointer. For each value of the segment pointer, 256 bytes of data are available at the 0xA0/0xA1 address pair. An unspecified segment pointer references the same data as when the segment pointer is zero.

Each successive value of the segment pointer allows access to the next two blocks of E-EDID (128 bytes each). The value of the segment pointer register cannot be read since it is reset at the completion of each command.

#### **Enhanced DDC Sink**

The sink should be Enhanced DDC read compliant.

The sink should be capable of responding with EDID 1.3 data and up to 255 extension blocks, each 128 bytes long (up to 32 Kbytes total E-EDID memory) whenever the Hot Plug Detect signal is asserted.

The sink should be capable of providing E-EDID information over the Enhanced DDC channel whenever the +5V Power signal is provided. The information should be available within 20 msec after the +5V Power signal is provided.

#### **Enhanced DDC Source**

The source should use Enhanced DDC protocols. The source should be capable of reading EDID 1.3 data at DDC address 0xA0. The source reads Enhanced EDID extension data at DDC address 0xA0 using segment pointer 0x60.

### **1.4.3 Hot Plug Detect Signal**

The HPD (Hot-Plug-Detect) feature is a communication mechanism between a source and a sink device that makes the source device aware that it has been connected/disconnected to/from the sink device.

When an HDMI cable is inserted between the two devices, the resulting hot-plug detection instantiates a start-up communication sequence. The EDID information stored in the sink device gets read by the source device through the DDC bus, and the source device typically presents itself on the CEC link and requests basic status information from the sink device.

An HDMI sink should not assert high voltage levels on its HPD pin when the E-EDID is not available for reading. This requirement should be fulfilled at all times, even if the sink is powered off or in standby. The HPD pin may be asserted only when the +5 V power line from the source is detected. This ensures that the HPD pin is not asserted before the third make of the connector.

A source may use a high voltage level HPD signal to initiate the reading of E-EDID data. It does not indicate whether the sink is powered, or whether the HDMI input on the sink is selected or active.

An HDMI sink should indicate any change to the contents of the E-EDID by driving a low voltage level pulse on the HPD pin. This pulse should last at least 100 ms.

### **1.4.4 Physical address discovery**

In order to allow CEC to address specific physical devices, each of them has a physical address. The bus connectivity is worked out whenever the hot plug detect (HPD) signal is de-asserted by the physical address discovery process. That process uses only the DDC/EDID (display data channel/extended display identification data) mechanism. Starting from the CEC root device which takes address 0b0000 (normally the TV), all sinks and repeaters, whether CEC-capable or not, determine the address their source device should take, and make it available in the source address field of the EDID vendor-specific data block (EDID\_EXT\_VSDB\_B0-1). Thereby, except for the root device, all devices have the physical address stored in the EDID of their connected sink.

The physical address of each node is determined through the physical address discovery process. This process is dynamic as it automatically adjusts physical addresses as required, and devices are physically or electrically added or removed from the device tree.

All sinks and repeaters should perform the steps of physical address discovery and propagation even if those devices are not CEC-capable. Sources are not required to determine their own physical address unless they are CEC-capable.

All addresses are 4 digits long, allowing for a 5-device-deep hierarchy. All are identified in the form of n.n.n.n in the following description.

A sink or repeater that is acting as the CEC root device generates its own physical address: 0.0.0.0. The source or repeater reads its physical address from the EDID of the connected sink. The CEC line may be connected to only one HDMI output so a device with multiple HDMI outputs will read its physical address from the EDID on the CEC-connected output. Each sink and repeater is responsible for generating the physical address of all source devices connected to that device by appending a port number onto its own physical address and placing that value in the EDID for that port.

### 1.4.5 Discovery Algorithm

The following algorithm is used to allocate the physical address of each device whenever HPD is de-asserted, or upon power-up:

**Figure 8. Physical address discovery algorithm**

```

Disable assertion of HPD to all source devices
If I am CEC root
    Set my_address to 0.0.0.0
Else
    Wait for HPD from sink
    Query sink for my_address of my connection
    The device shall retain this physical address until
    HPD is removed (or the device is powered off).
End if
If device has connections for source devices then
    Label all possible connections to source devices
    uniquely starting from connection_label = 1 to the
    number of source input connections
    If device has separate EDIDs for each source connection
    then
        If my_address ends with 0 then
            Set each source_physical_address to my_address
            with the first 0 being replaced with
            connection_label.
        Else (i.e. beyond the fifth layer of the tree)
            Set each source_physical_address to F.F.F.F
        End if
    Else
        Set each source_physical_address to my_address
    End if
    Write source_physical_address to HDMI VSDB in EDID for
    each source connection
End if
Allow HPD to be asserted for source devices

```

Whenever a new physical address (other than F.F.F.F) is discovered, a CEC device should:

- allocate the logical address (see [1.4.7: Logical Address Allocation](#))
- report the association between its logical and physical addresses by broadcasting <Report Physical Address>.

This process allows any node to create a map of physical connections to logical addresses.

### 1.4.6 Logical addressing

Apart from the physical address, each device appearing on the control signal line has a unique logical address. This address defines a device type as well as being a unique identifier. This address is 0 for a TV set with physical address 0b0000 and 14 or even 15 otherwise. It is defined in the CEC\_OAR register and in the upper nibble of the first byte of the transmitted message. All CEC devices therefore have both a physical and a logical address, whereas non-CEC devices only have a physical address.

**Table 3. Logical addresses**

Address	Device
0	TV
1	Recording device 1
2	Recording device 2
3	Tuner 1
4	Playback device 1
5	Audio system
6	Tuner 2
7	Tuner 3
8	Playback device 2
9	Recording device 3
10	Tuner 4
11	Playback device 3
12	Reserved
13	Reserved
14	Free use
15	Unregistered (as initiator address) Broadcast (as destination address)

### 1.4.7 Logical Address Allocation

Note that a logical address should only be allocated when a device has a valid physical address (i.e. not F.F.F.F). At all other times, a device should take the ‘Unregistered’ logical address (15).

Only the device at physical address 0.0.0.0 may take logical address TV (0). A TV at any other physical address should take the ‘Free Use’ (14) address. If address 14 is already allocated, it should take the ‘Unregistered’ address (15).

Reserved addresses should not be used at present and are reserved for future extensions to this specification.

Where more than one possible logical address is available for the given device type (e.g. Tuner 1, Tuner 2, etc.), an address allocation procedure should be carried out by a newly connected device. The device takes the first allocated address for that device type and sends a <Polling Message> to the same address (e.g. Tuner 1 -->Tuner 1). If the <Polling Message> is not acknowledged, then the device stops the procedure and retains that address.

If the first address is acknowledged, then the device takes the next address for that device type and repeats the process (e.g. Tuner 2 .. Tuner 2). Again, if the message is not acknowledged, the device keeps that address.

This procedure continues until all possible 'type specific' addresses have been checked; if no 'type specific' addresses are available, the device should take the unregistered address (15). Note that several physical devices might be sharing this address.

A device may lose its logical address when it is disconnected or switched off. However, it may remember its previous logical address, so that the next time it is reconnected or switched on, it can begin the polling process at its previous logical address and try each other allowable logical address in sequence before taking the unregistered address. For example if an STB that was previously allocated address Tuner 2 is reconnected, it would poll Tuner 2, Tuner 3, Tuner 4 and Tuner 1 before taking the unregistered address.

If a device loses its physical address at any time (e.g. it is unplugged), then its logical address should be set to unregistered (15).

## 1.5 STM32F0xx HDMI-CEC controller

The STM32F0xx HDMI-CEC controller provides a hardware support of CEC protocol.

### 1.5.1 Main features

- Supports HDMI-CEC v1.4
- Supports the whole set of features offered with CEC (devices may use all or only some of these features, depending on the functionality):
  - One touch play - a device may be played and become the active source by pressing a single button.
  - System standby - enables devices to be set on standby by pressing a single button.
  - Preset transfer - the presets of a device can be auto-configured to match those of the TV.
  - One touch record - used to make recordings by pressing a single button.
  - Timer programming - any device can program a timer recording on a recording device.
  - System information - allows devices to auto-configure their language and country settings.
  - Deck control - allows a device to control and interrogate a playback device.
  - Tuner control - allows a device to control the tuner of another device.
  - Vendor specific commands - allows vendor-defined commands to be used.

- OSD display - allows a device to display text using the on-screen display of the TV.
- Device menu control - allows a device to control the menu of another device.
- Routing control - enables control of CEC switches for the streaming of a new source device.

### 1.5.2 HDMI-CEC advanced features

The STM32F0xx HDMI-CEC controller provides an easy platform to build CEC firmware applications:

- 32 kHz CEC kernel works by 2 clock-source options
  - Internal RC dedicated line with fixed prescaler (HSI/244)
  - Low Speed External quartz (LSE)
- Configurable Signal Free Time before of transmission start
  - automatic by hardware, according to CEC state and transmission history
  - fixed by software (7 timing options)
- Configurable Peripheral Address (OAR), supports multiple addresses
- Supports Listen Mode: enabling the reception of CEC messages sent to a destination address different from OAR without interfering with the CEC line
- Configurable Rx-tolerance margin in
  - Standard tolerance
  - Extended tolerance
- Receive-Error detection
  - Bit rising error (BRE), with optional stop of reception (BRESTP)
  - Short Bit Period Error (SBPE)
  - Long Bit Period Error (LBPE)
- Configurable Error-Bit Generation
  - on BRE detection (BREGEN)
  - on LBPE detection (LBPEGEN)
  - always generated on SBPE detection
- Transmission Error Detection (TXERR)
- Arbitration Lost Detection (ARBLST) with automatic transmission retry
- Transmission underrun detection (TXUDR)
- Reception overrun detection (RXOVR)
- Works in system stop for ultra low-power application. The CEC can work in stop mode (without an APB clock). The CEC clock (32 kHz clock) must be provided for this purpose. It can also generate an interrupt in this CEC clock domain, that can eventually wake up the CPU from the slow mode.

Refer to the STM32F0xx reference manual (RM0091) for further details.

## 2 Hardware environment

To be fully compliant with the stringent HDMI 1.4 specification, specially when the CEC device is in the power-off state, a fully integrated ESD protection should be added externally to the STM32F0xx device. For that purpose, the HDMI2C1-5DIJ ensures level-shifting and serves as the signal booster for control links of HDMI 1.4 transmitters. The HDMI2C1- 5DIJ is a bidirectional isolation buffer, integrating hysteresis and signal boosters for maximum system robustness and signal integrity.

In addition to this circuit, the 27 Kohm pull-up resistor on the CEC line should be externally connected to the STM32F0xx.

With these few hardware additions, the STM32F0xx CEC solution (CEC peripheral plus ESD protection circuit) is fully compliant with the HDMI 1.4 standard.

Two HDMI connectors are available for the STM320518-EVAL board (CN3 and CN4). The CEC, SCL, SDA and HPD signals are supported and connected to STM32F0xx through HDMI2C1-5DIJ.

The external hardware component is only needed when the CEC power-off state is necessary in the application. If the power-off state is not necessary, you can directly connect the STM32F0xx CEC line to the CEC bus.

The two HDMI connectors, CN3 and CN4, are available on the STM320518-EVAL board.

- The CN3 connector is an HDMI sink connector with:
  - DDC connected to I2C2 of STM32F051R8T6
  - HPD controlled by IO PA11 through transistor T3
  - CEC connected to PB10 through transistor T4
- The CN4 connector is an HDMI source connector with:
  - DDC connected to I2C1 of STM32F051R8T6
  - HPD controlled by IO PA8
  - CEC connected to PB10 through transistor T4
  - HDMI 5V powered by power switch U5

### 2.1 HDMI connector

Only an HDMI vendor-approved connector should be used. The list of HDMI connectors approved is available on the HDMI site. ([www.hdmi.org](http://www.hdmi.org))

The differential impedance of this connector should be equal to 100 ohm +/- 15%. This can be checked by using any Time domain reflectometry (TDR) equipment.

**Figure 9. HDMI cable**



**Table 4. HDMI connector pinout description**

Pin Number	Signal Name	Pin Number	Signal Name
1	TMDS Data 2+	11	TMDS Clock Shield
2	TMDS Data 2 Shield	12	TMDS Clock-
3	TMDS Data 2-	13	CEC
4	TMDS Data 1+	14	No Connect
5	TMDS Data 1 Shield	15	DDC Clock
6	TMDS Data 1-	16	DDC Data
7	TMDS Data 0+	17	Ground
8	TMDS Data 0 Shield	18	+5 V Power
9	TMDS Data 0-	19	Hot Plug Detect
10	TMDS Clock+	20	SHELL

### 2.1.1 I2C bus

The Display Data Channel (DDC) I/Os and wires (SDA, SCL, DDC/CEC Ground) should meet the requirements specified in the I2C bus Specification, version 2.1 (Section 15 for “Standard-Mode” devices).

Discussions about high-capacitance environments found in the I2C Specification section (17.2 “Switched pull-up circuit for Fast-mode I2C-bus devices”) also apply to the HDMI environment.

This section covers the electrical specifications for the I2C (defined by the CTS and by the I2C bus specification). Timing specifications are not dealt with here. The HDMI standard specifies that the maximum clock rate is 100 kHz.

The I2C bus is a standard two-wire (SCL for clock and SDA for data) serial databus protocol. The electrical specifications for I2C bus device I/Os are power-supply-dependent. An I2C bus device with fixed input levels of 1.5 V and 3 V can have its own supply voltage. A pull-up resistor must be connected to a 5 V ±10% supply. When devices with fixed input levels are mixed with devices with input levels dependent on VCC, the latter have to be connected to a common 5 V ±10% supply line with pull-up resistors connected to their SDA and SCL pins.

The ST reference board implemented in this application note has 3.3 V-tolerant I/Os and an HDMI-compatible I2C bus dependent on a +5 V VCC supply. For the implementation, it is recommended to use the set-up shown in Figure 11, with the HDMI2C1-5DIJ chip.



Figure 10. Application diagram

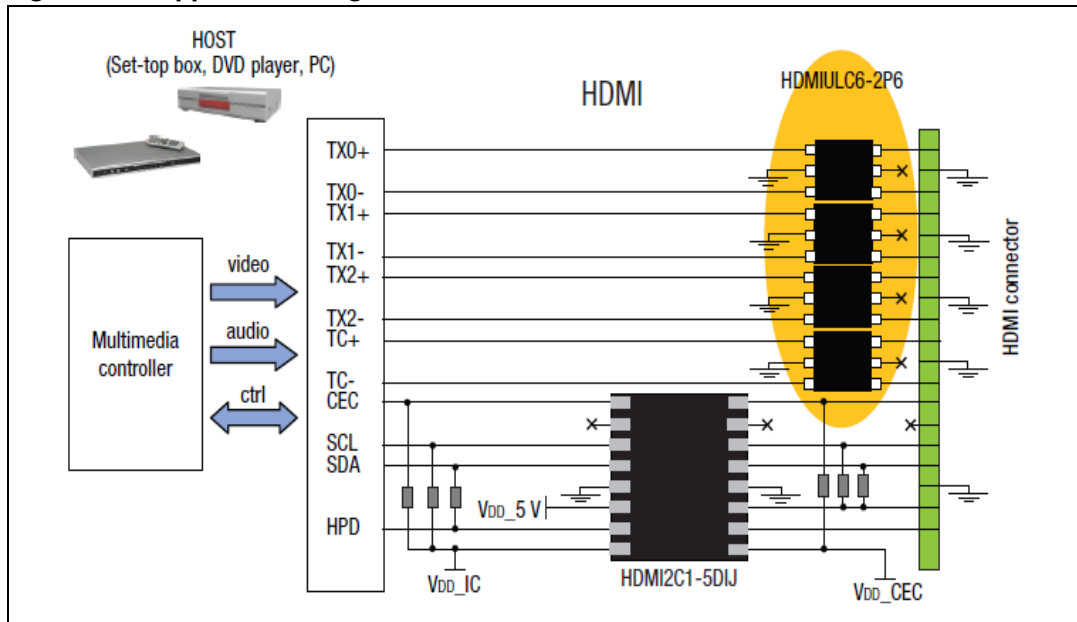
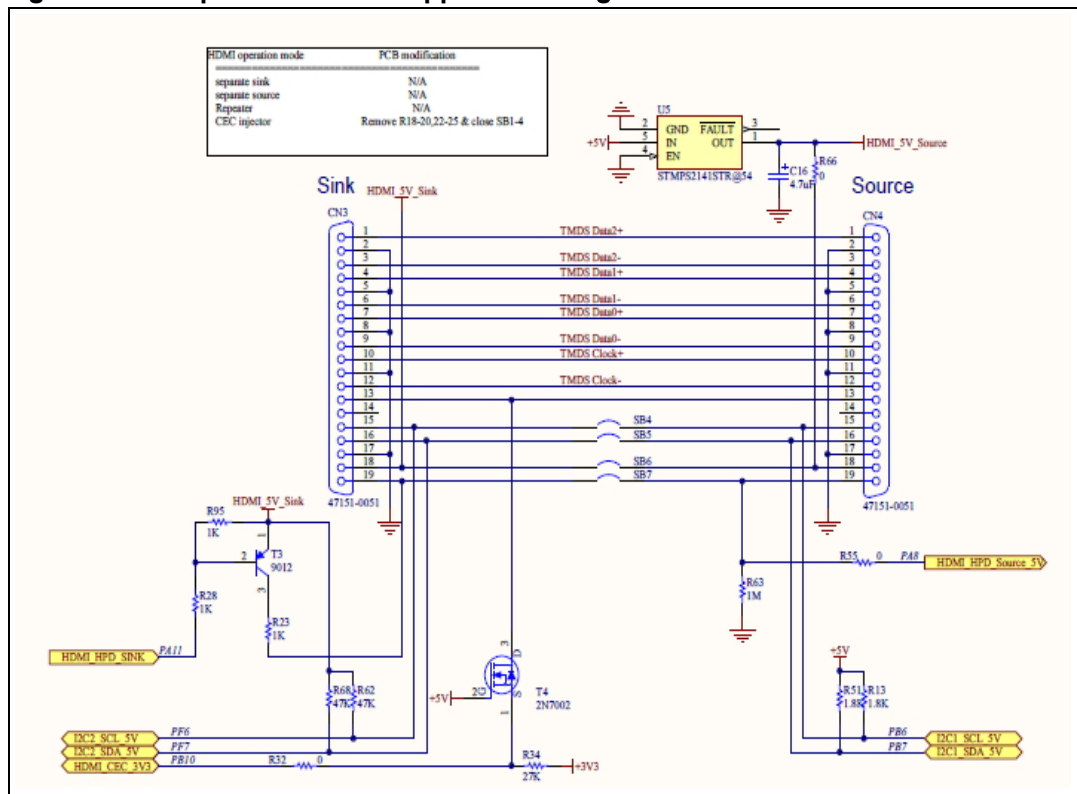


Figure 11. Proposed electrical application diagram

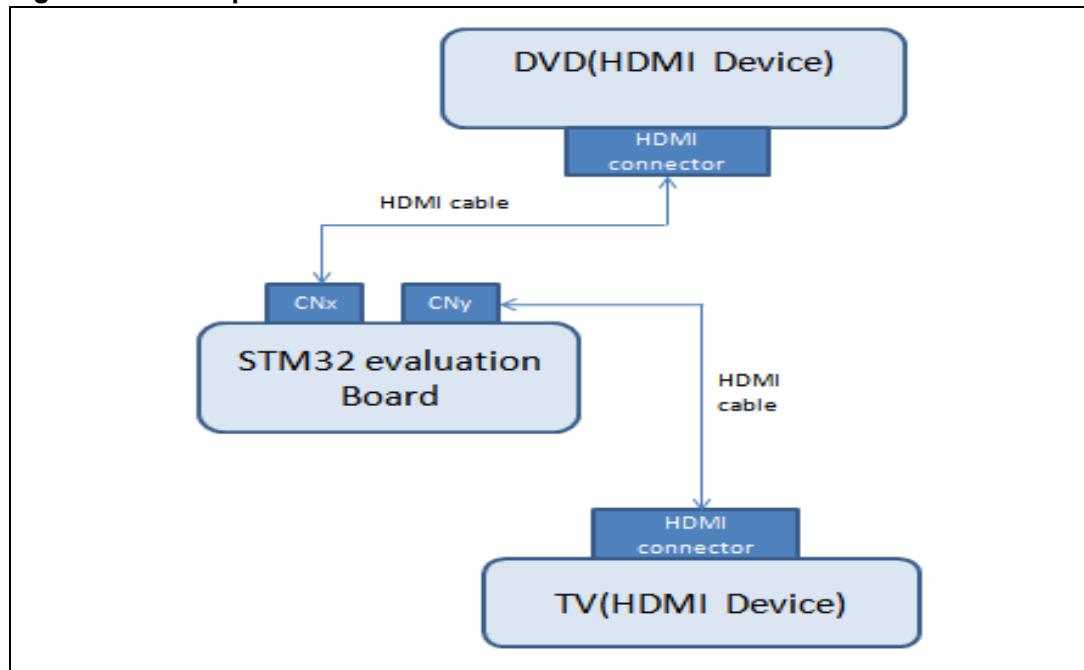


## 2.2 Hardware connection

To run the CEC demo, you must connect the HDMI connector (CN3 or CN4) of the STM320518-EVAL evaluation board to another HDMI device (TV, recording device...) using an HDMI cable.

The CN3 connector is allocated to the sink device, but the CN4 connector is allocated to the source device.

**Figure 12. Example of hardware connections**



*Note:* You can connect the STM320518-EVAL evaluation board to other STM320518-EVAL evaluation boards using HDMI cables or using a simple wire between all CEC device lines (PB.10). In this case, do not forget to connect all board grounds together.

**Table 5. STM32F0xx and HDMI-CEC connection**

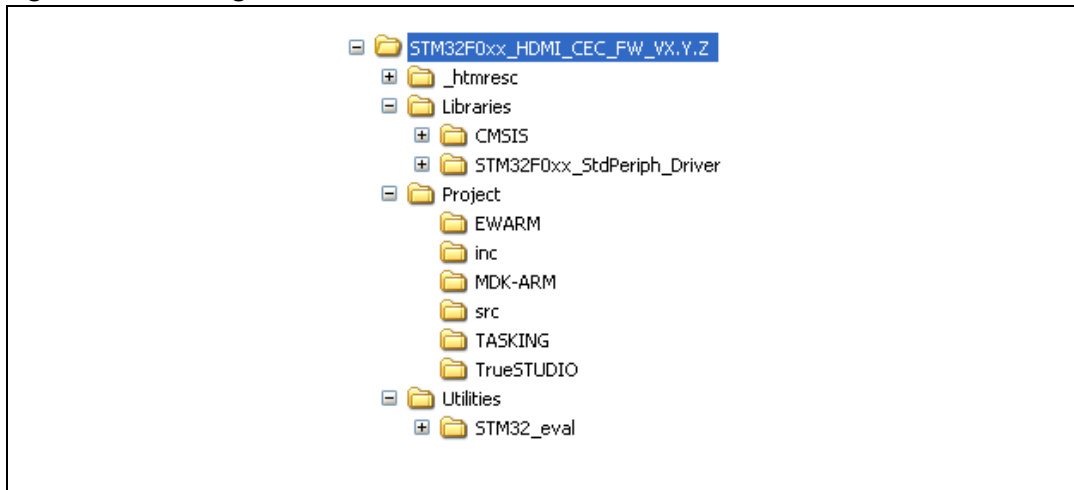
HDMI-CEC pins	STM320518-EVAL	Configuration	Remap
CEC line pin	PB.10	Output open drain	PA.5 and PB.8
CEC_SINK_I2C_SCL	PF.6	Output open drain	
CEC_SINK_I2C_SDA	PF.7	Output open drain	
CEC_HPDP_SINK	PA11	Output push pull	
CEC_SOURCE_I2C_SCL	PB.6	Output open drain	
CEC_SOURCE_I2C_SDA	PB.7	Output open drain	
CEC_SOURCE_HPDP_PIN	PA.8	Output push pull	

## 3 Firmware description

### 3.1 Package directories

When unzipped, the package has the structure shown in the figure below.

Figure 13. Package structure



**\_htmresc** folder: This folder contains all package html page resources.

**Libraries** folder: This folder contains all CMSIS files and STM32F0xx Standard Peripheral's Drivers

- **CMSIS** subfolder: This folder contains the STM32F0xx CMSIS files - device peripheral access layer and core peripheral access layer.
- **STM32F0xx\_StdPeriph\_Driver** subfolder: This folder contains all the subdirectories and files that make up the core of the library:
  - **inc** sub-folder contains the peripheral's drivers header files.
  - **src** sub-folder contains the peripheral's drivers source files.

**Project** folder: This folder contains preconfigured projects and the source and header files of the CEC demonstration

- **src** subfolder: contains the source files
  - *stm320518\_eval\_cec.c*: provides all the STM320518-EVAL HDMI-CEC firmware functions. See the list of functions in [Table 6.: High level functions](#).
  - *main.c*: file in which the system clocks and interrupts are configured.
  - *stm32f0xx\_it.c*: file in which the CEC events (transmitter/receiver) and error (acknowledge failure, bus error, overrun, arbitration loss) interrupts are handled.
  - *cec\_display.c*: displays the CEC demonstration messages on either the STM320518-EVAL evaluation board LCD or the HyperTerminal.

- **inc** subfolder: contains the header files
  - *stm320518\_eval\_cec.h*: header file for *stm320518\_eval\_cec.c*
  - *stm32f0xx\_it.h*: headers of the interrupt handlers
  - *stm32f0xx\_conf.h*: configuration file
  - *cec\_display.h*: header file of *cec.display.c*
- EWARM, MDK-ARM, TASKING and TrueSTUDIO subfolders: contain tool-dependent preconfigured projects and workspaces.

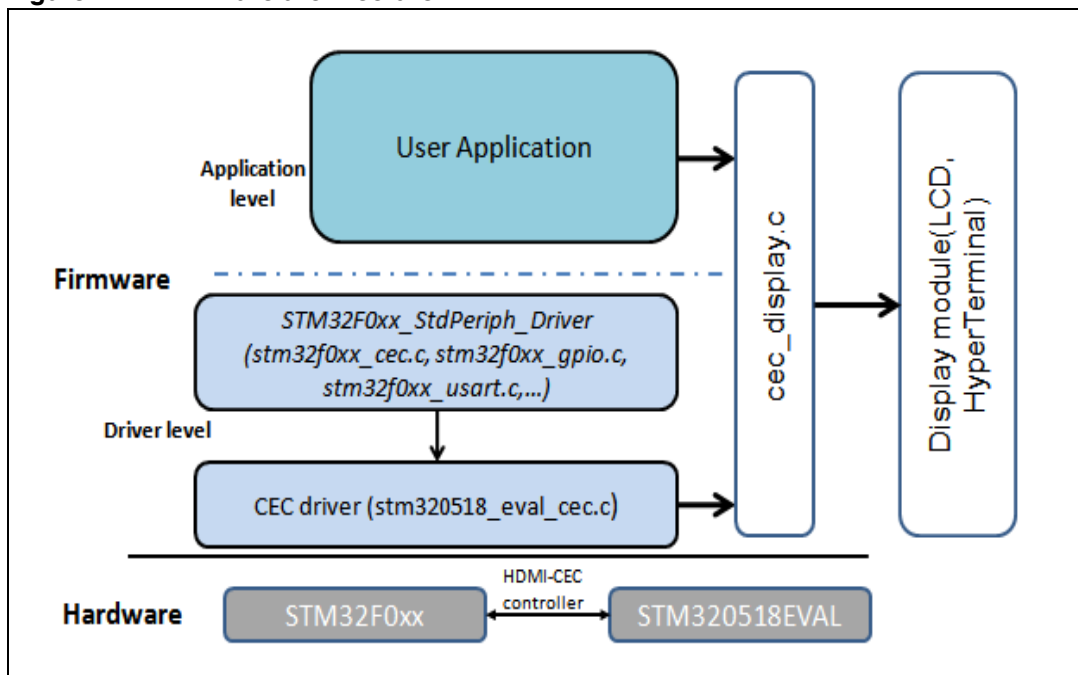
**Utilities** folder: STM32\_EVAL implements an abstraction layer to interact with the Human Interface resources, buttons, LEDs, LCD and COM ports (USARTs) available on STMicroelectronics STM320518-EVAL evaluation board.

The *stm32f0518\_eval.c* driver provides a common API to interact with buttons, LEDs and COM ports, while these resource hardware definitions are made in the header file of STM320518-EVAL evaluation board (*stm320518\_eval.h*). A common API is provided to manage the LCD (*stm320518\_eval\_lcd.c*).

### 3.2 Firmware architecture

Figure 14. shows the firmware architecture, with the different blocks and levels.

Figure 14. Firmware architecture



- The **STM320518-EVAL** evaluation board is designed as a complete development platform for STMicroelectronics ARM Cortex-M0 core-based STM32F051R8T6 microcontroller with two I2Cs, two SPIs, two USARTs, a 12-bit ADC, a 12-bit DAC, two GP comparators, an internal 8 KB SRAM and 64 KB Flash, Touch sensing, CEC, SWD debugging support.
- STM32F0xx\_StdPeriph\_Driver: STM32F0xx Standard Peripherals Library
- **User application:** STM320518-EVAL CEC demonstration
- **Display module:** It can be either an LCD or a HyperTerminal. It is used to display the CEC demonstration messages.
- **CEC driver (stm320518\_eval\_cec):** The user may interface the CEC devices directly through the driver application layer. The driver functions are summarized in the following sections.

### High-level functions

These are the functions that can simply be called by the final application to execute all needed configurations and perform high-end functionalities (such as sending and receiving messages).

**Table 6. High level functions**

Function name	Description
HDMI_CEC_Init	Initialize the HDMI-CEC: <ul style="list-style-type: none"> <li>– Enable the CEC and GPIOx clocks</li> <li>– Configure the CEC line</li> <li>– Call the Physical Address Discovery function for sink end source devices</li> <li>– Call the Logical Address Allocation for sink and source devices</li> <li>– Call the Report Physical Address function</li> </ul>
HDMI_CEC_TransmitMessage	Transmit message (header, opcode and operands)
HDMI_CEC_GetErrorStatus	Get the Interrupt and Status Register (ISR) register status
HDMI_CEC_ProcessIRQSrc	Allows to process all the interrupts (TXACKE, TXERR, TXUDR, TXEND, TXBR, ARBLST, RXACKE, LBPE, SPBE, BRE, RXOVR, RXEND, RXBR) that are high
SourcePhysicalAddressDiscovery	Algorithm used to discover the source physical address
SinkPhysicalAddressDiscovery	Algorithm used to discover the sink physical address
LogicalAddressAllocation	Allocate the device logical address based on the logical address allocation algorithm
HDMI_CEC_ReportPhysicalAddress	Report the physical address to all other devices, thus allowing any device to create a map of the network.
HDMI_CEC_CommandCallback	Handle the CEC command receive callback

## 4 STM320518-EVAL CEC demonstration

The demo provided with this user manual is intended to run on an STM320518-EVAL evaluation board and it shows how to configure the HDMI-CEC peripheral and how to create a CEC network providing a high level communication between different devices using CEC protocol messages.

By default, the STM32F0xx CEC device is clocked by the HSI oscillator. To change the LSE oscillator as a CEC source clock, uncomment the define LSE\_SOURCE\_CLK in the stm320518\_eval\_cec.c file.

The STM32F0xx CEC demo supports both sink and source devices. By managing defines, the user can choose the CEC sink device or the source one.

*Note:* To configure a CEC device as a sink, you should do as follows in the stm320518\_eval\_cec.h file:

- Change the HDMI\_CEC\_ROOT define value to 0x01,
- Keep the HDMI\_CEC\_USE\_DDC define commented.

*Note:* To Configure a CEC device as a source with a physical address identification, you should do as follows in the stm320518\_eval\_cec.h file:

- Change the HDMI\_CEC\_ROOT define value to 0x00,
- Uncomment the HDMI\_CEC\_USE\_DDC define.

*Note:* You can also run the STM32F0xx HDMI-CEC demonstration without physical address acquisition. The two STM32F0xx CEC devices are both configured as sources without a physical address identification. You should do as follows in the stm320518\_eval\_cec.h file:

- Change the HDMI\_CEC\_ROOT define value to 0x00,
- Comment the HDMI\_CEC\_USE\_DDC define.

### 4.1 CEC demonstration overview

The CEC demonstration contains 2 different configurations:

1. Use the joystick push-buttons and display the CEC demo messages on the STM320518-EVAL evaluation board LCD.
2. Use the keyboard keys (r: right, l: left, u: up, d: down and s: select) and display the CEC demo messages on the HyperTerminal.

*Note:* To use the second configuration, the user must comment the following defines in the cec\_display.c file:

```
#define LCD_DISPLAY
#define USE_JOYSTICK
```

In the following sections, SEL, RIGHT, LEFT, UP and DOWN buttons mean respectively the SEL, RIGHT, LEFT, UP and DOWN joystick push-buttons or the "s","r","l", "u" and "d" keyboard keys depending on the selected configuration.

Figure 15 shows the menu system of the CEC demonstration. After a system reset, the user should use the UP, DOWN, RIGHT, LEFT and SEL buttons to select the device type of the CEC device. Then he/she should press the SEL button to enter the CEC menu.

The LEFT and RIGHT buttons should be used to navigate between the available follower addresses and CEC commands. The SEL button should be used to select the desired follower address or command to be send.

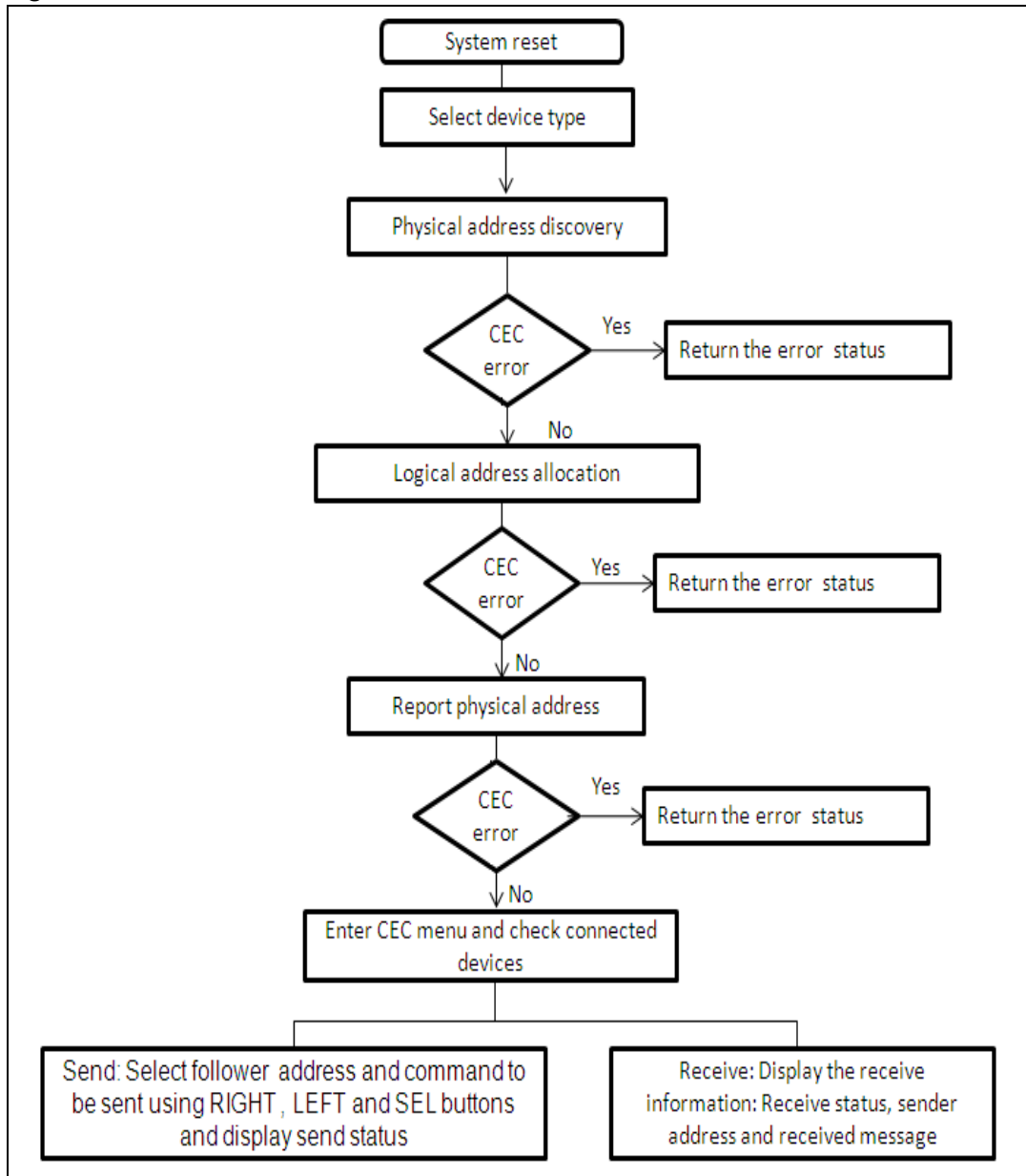
To run the CEC demonstration:

1. Load the CEC demonstration and reset the device.
2. Select the device type of CEC using the joystick push-buttons or the keyboard keys (see [Section 4.2: Device type selection](#))
3. If the selected device type is not available, the following message is displayed: Unregistered Device. In this case, the user must reset the device and select another device type.
4. The physical and logical addresses are displayed on the display module (LCD or HyperTerminal) selected.
5. Use the SEL button to enter the CEC menu.
6. Use the LEFT and RIGHT buttons to navigate between the follower addresses. Use the SEL button to select the desired follower address (see [Figure 19.: CEC menu](#)).

*Note:* Only the addresses of connected devices are available. If a new device is connected, its logical address will be added to the available follower address.

7. Use the LEFT and RIGHT buttons to navigate between the available CEC commands. Use the SEL button to select the desired command to be sent (see [Figure 23.: Select CEC command](#)).
8. The send status is displayed on the selected display module. Repeat from step 6 if you want to send another command, or reset the device if you want to select a different device type.

Figure 15. CEC demonstration flow chart



## 4.2 Device type selection

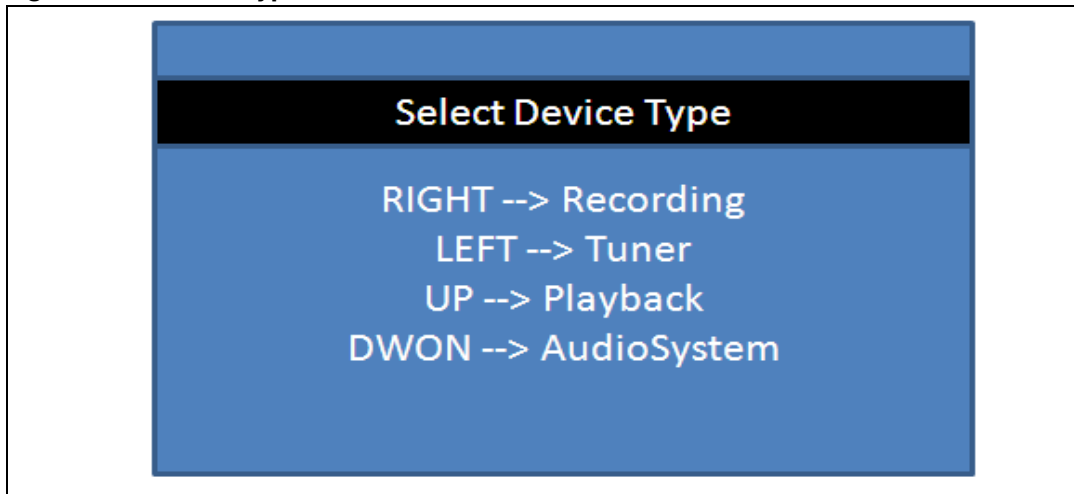
The user must use the following buttons to select the device type of CEC:

- RIGHT button: select **recording** as the device type
- LEFT button: select **tuner** as the device type
- UP button: select **playback** as the device type
- DWON button: select **audio system** as the device type

The selected device type will be used in the logical address allocation algorithm to allocate the logical address of the CEC device.



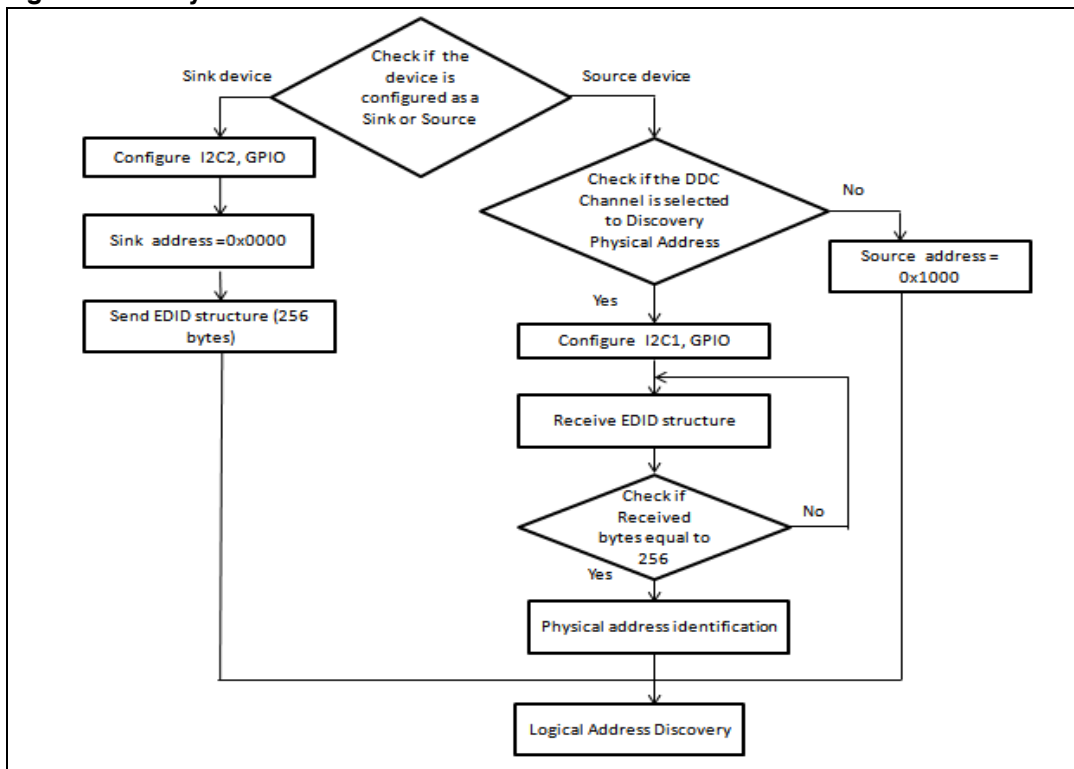
Figure 16. Device type selection



### 4.3 Physical address discovery

The algorithm defined in [Section 1.4.5: Discovery Algorithm](#) is used to allocate the physical address of each device. If no CEC error is generated, the CEC device will execute the logical address allocation algorithm.

Figure 17. Physical address identification



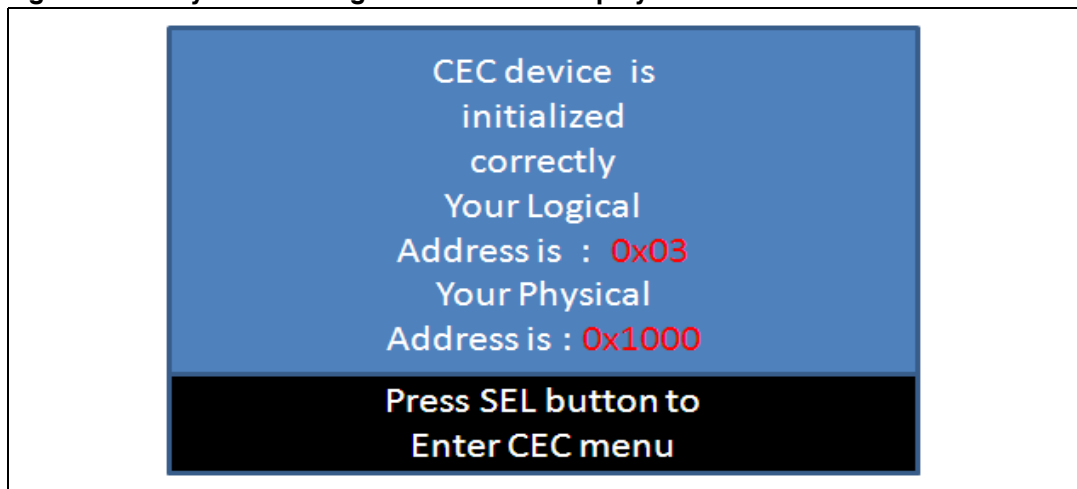
## 4.4 Logical address allocation

The device type selected by the user will be used to allocate the logical address as described in [Section 1.4.7: Logical Address Allocation](#). If no CEC error is generated, the physical and logical addresses are displayed on the LCD; then, the user must press the SEL push-button to enter the CEC menu.

*Note:* If the selected device type is not available, the following message is displayed: "Unregistered Device." In this case, the user must reset the device and select another device type.

*Note:* Whenever a new physical address is discovered, the CEC device reports the association between its logical and physical addresses by broadcasting <Report Physical Address>.

**Figure 18. Physical and logical addresses display**



## 4.5 Check of connected devices

Before displaying the available follower addresses, the CEC device checks the connected devices by sending a <Polling Message> to all logical addresses. If the <Polling Message> is acknowledged, then the device retains that address. After that step, only the addresses of the connected devices are displayed.

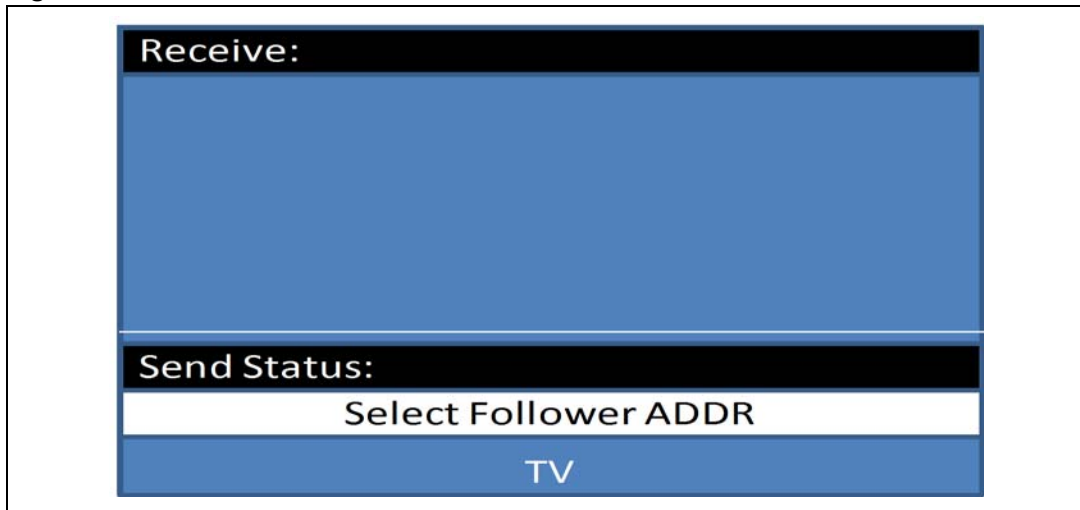
If no device is connected, only the broadcast address is available. If a new device is connected after the connected device check step, its address is automatically added to the list of available addresses.

## 4.6 CEC send/receive information display on the LCD

The LCD screen is divided into two parts, as shown in [Figure 19: CEC menu](#):

- a subscreen that shows the CEC receive information: receive status, sender address
- a subscreen that allows to select the follower address and the command to send

Figure 19. CEC menu

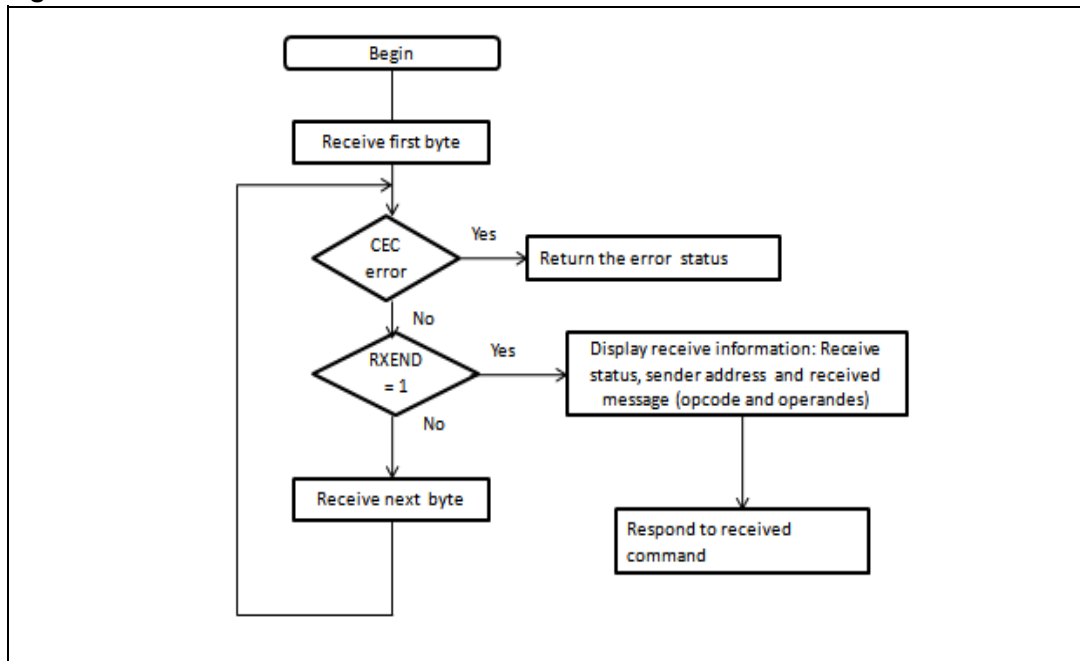


### 4.6.1 Receive subscreen information

The following information is displayed when receiving a new message:

- Receive status
- Sender address
- Number of bytes (including the sender address)
- Opcode message
- Data (operands)

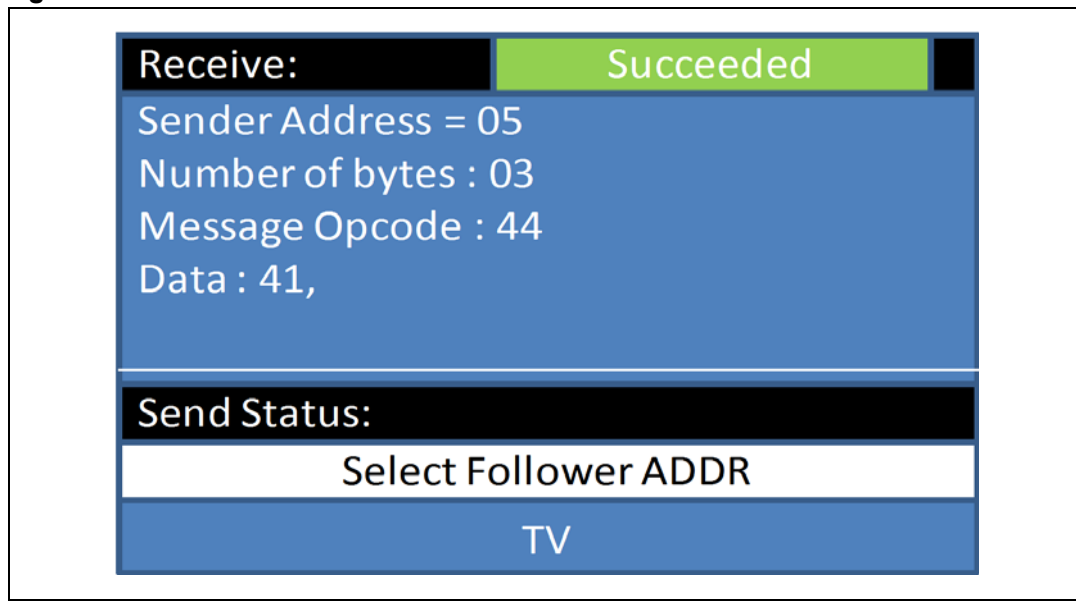
Figure 20. Receive flow chart



*Figure 21: Receive subscreen information* shows that the device has correctly received the frame from the sender with address 0x5.

- Sender Address: 0x5
- Number of bytes received: 0x3 (header + opcode + data)
- Message opcode: 0x44
- Data: 0x41

**Figure 21. Receive subscreen information**



*Note:* The STM320518 CEC device only responds to the following commands:

- Standby
- Get CEC version
- Give physical address
- Give OSD name

*For other commands, it sends a feature abort.*

#### 4.6.2 Send information subscreen

This subscreen is used to navigate among the connected device addresses by using the RIGHT and LEFT buttons. After selecting the follower address, you must select the command to be sent to the selected follower address with the LEFT, RIGHT and SEL buttons. Once you have selected a command, the CEC device sends this command to the selected follower address, and displays the transmission status.

You can then select a new follower address and a new command.

Figure 22. Send flowchart

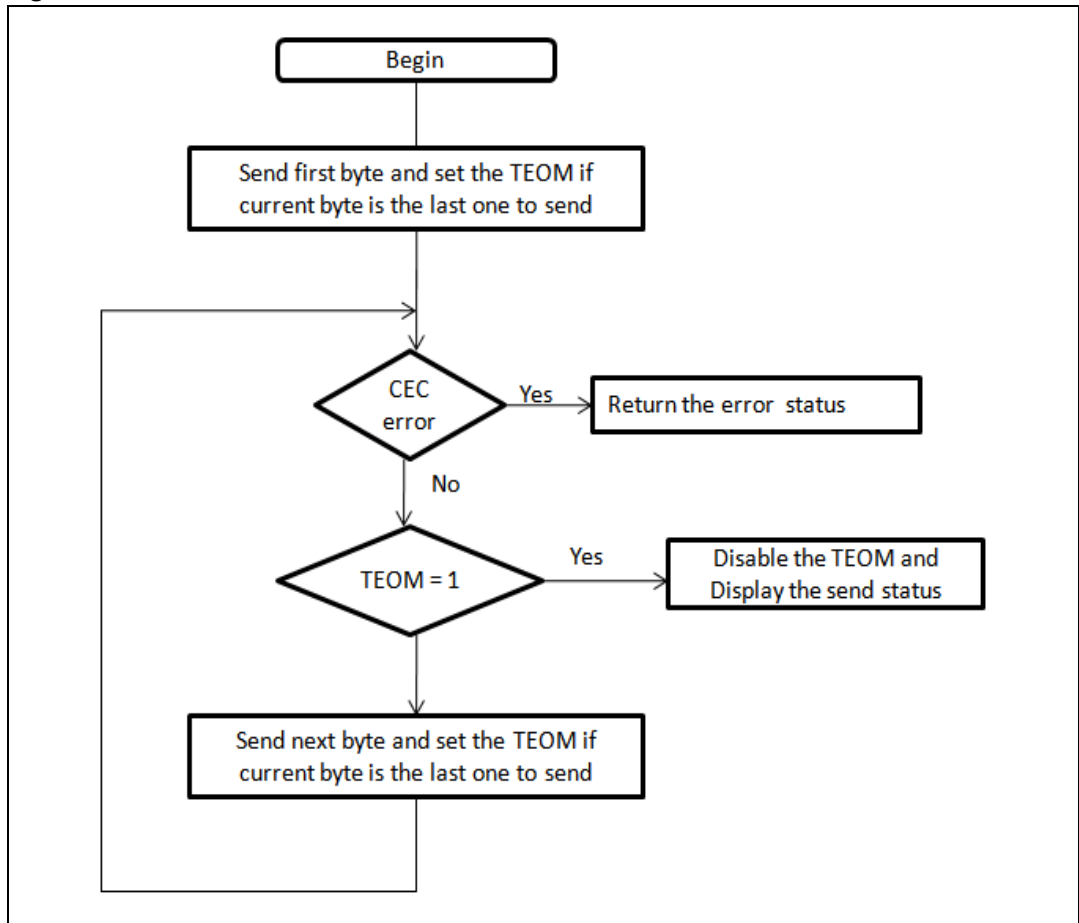
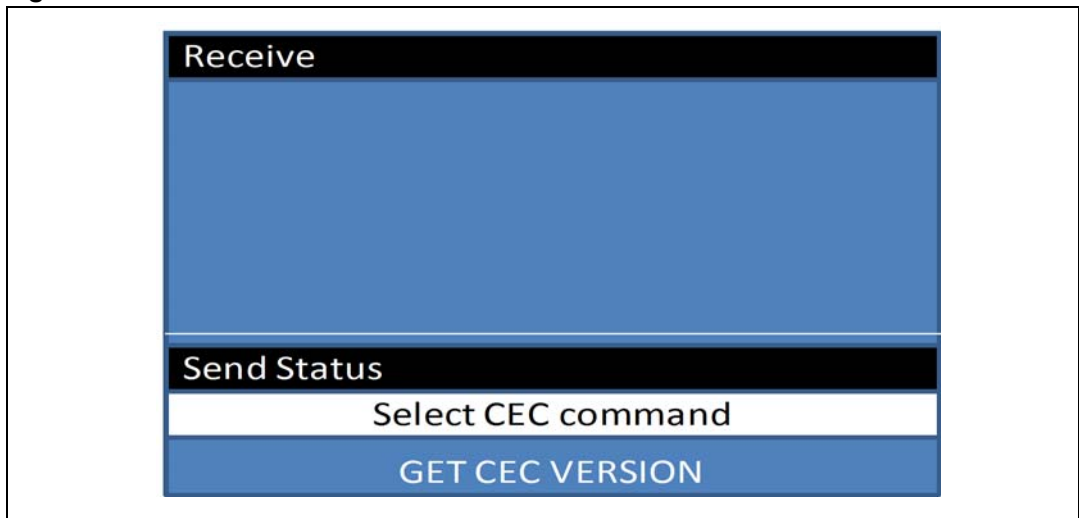


Figure 23. Select CEC command



## 5 Conclusion

This application note gives details on the HDMI-CEC controller available on the STM32F0xx evaluation boards (STM320518-EVAL) and the CEC demonstration firmware running on this evaluation board.

*Note: The HDMI-CEC communication can be enhanced by adding Infrared protocols so that the user commands can be generated in a more flexible way. The STM32F0xx devices can easily handle this configuration using the embedded CEC and timer peripherals (the STM32 timer is used to decode the infrared protocols with the associated software). This combination (CEC communication / Infrared protocols) is implemented on the STM320518-EVAL firmware demo.*

## 6 Revision history

**Table 7. Document revision history**

Date	Revision	Changes
05-Oct-2012	1	Initial release.

**Please Read Carefully:**

Information in this document is provided solely in connection with ST products. STMicroelectronics NV and its subsidiaries ("ST") reserve the right to make changes, corrections, modifications or improvements, to this document, and the products and services described herein at any time, without notice.

All ST products are sold pursuant to ST's terms and conditions of sale.

Purchasers are solely responsible for the choice, selection and use of the ST products and services described herein, and ST assumes no liability whatsoever relating to the choice, selection or use of the ST products and services described herein.

No license, express or implied, by estoppel or otherwise, to any intellectual property rights is granted under this document. If any part of this document refers to any third party products or services it shall not be deemed a license grant by ST for the use of such third party products or services, or any intellectual property contained therein or considered as a warranty covering the use in any manner whatsoever of such third party products or services or any intellectual property contained therein.

**UNLESS OTHERWISE SET FORTH IN ST'S TERMS AND CONDITIONS OF SALE ST DISCLAIMS ANY EXPRESS OR IMPLIED WARRANTY WITH RESPECT TO THE USE AND/OR SALE OF ST PRODUCTS INCLUDING WITHOUT LIMITATION IMPLIED WARRANTIES OF MERCHANTABILITY, FITNESS FOR A PARTICULAR PURPOSE (AND THEIR EQUIVALENTS UNDER THE LAWS OF ANY JURISDICTION), OR INFRINGEMENT OF ANY PATENT, COPYRIGHT OR OTHER INTELLECTUAL PROPERTY RIGHT.**

**UNLESS EXPRESSLY APPROVED IN WRITING BY TWO AUTHORIZED ST REPRESENTATIVES, ST PRODUCTS ARE NOT RECOMMENDED, AUTHORIZED OR WARRANTED FOR USE IN MILITARY, AIR CRAFT, SPACE, LIFE SAVING, OR LIFE SUSTAINING APPLICATIONS, NOR IN PRODUCTS OR SYSTEMS WHERE FAILURE OR MALFUNCTION MAY RESULT IN PERSONAL INJURY, DEATH, OR SEVERE PROPERTY OR ENVIRONMENTAL DAMAGE. ST PRODUCTS WHICH ARE NOT SPECIFIED AS "AUTOMOTIVE GRADE" MAY ONLY BE USED IN AUTOMOTIVE APPLICATIONS AT USER'S OWN RISK.**

Resale of ST products with provisions different from the statements and/or technical features set forth in this document shall immediately void any warranty granted by ST for the ST product or service described herein and shall not create or extend in any manner whatsoever, any liability of ST.

ST and the ST logo are trademarks or registered trademarks of ST in various countries.

Information in this document supersedes and replaces all information previously supplied.

The ST logo is a registered trademark of STMicroelectronics. All other names are the property of their respective owners.

© 2012 STMicroelectronics - All rights reserved

STMicroelectronics group of companies

Australia - Belgium - Brazil - Canada - China - Czech Republic - Finland - France - Germany - Hong Kong - India - Israel - Italy - Japan - Malaysia - Malta - Morocco - Philippines - Singapore - Spain - Sweden - Switzerland - United Kingdom - United States of America

[www.st.com](http://www.st.com)