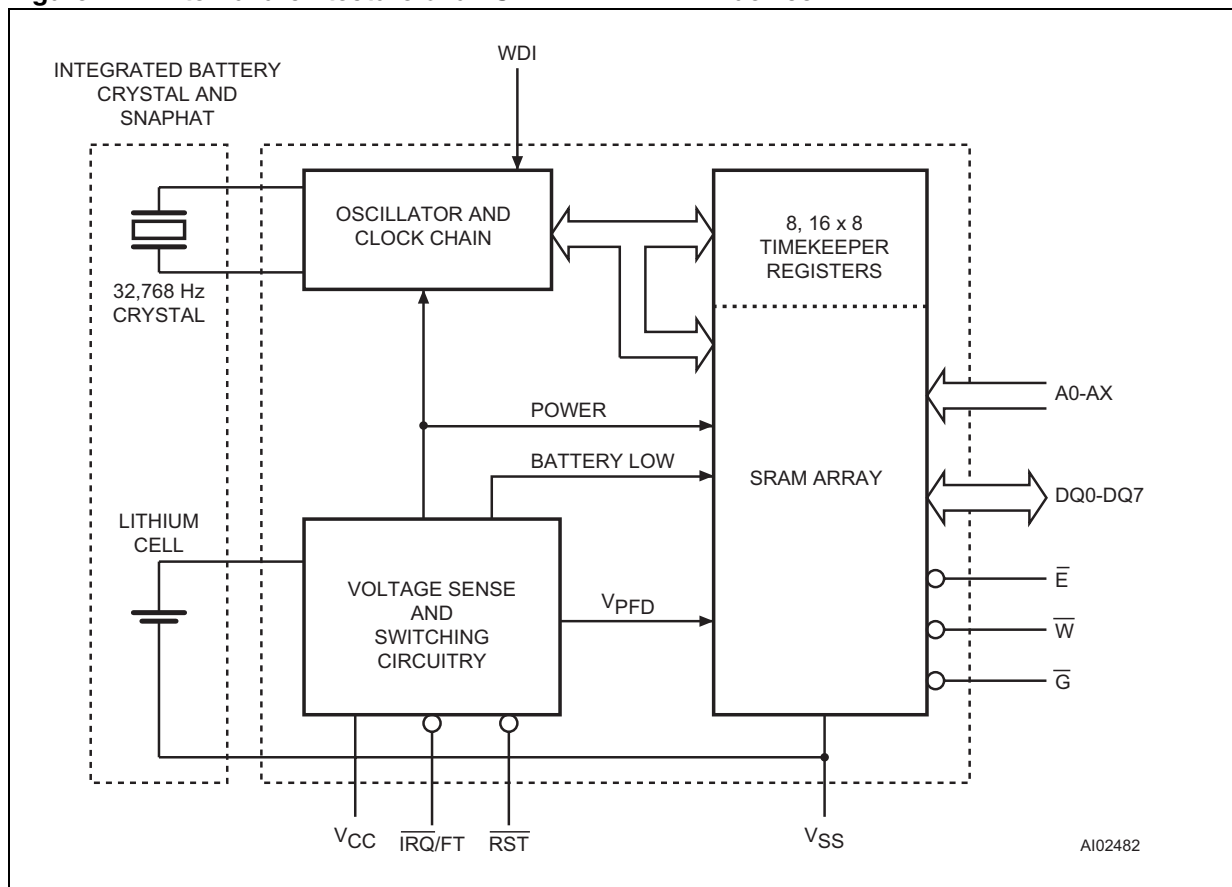


Introduction

Figure 1 shows how the non-volatile, static memory array and the quartz-controlled clock oscillator, of TIMEKEEPER[®] devices from STMicroelectronics, are interconnected through the clock registers. The clock registers are mapped into the memory array (please see the data sheet for the precise mapping) as 8 or 16 BYTEWIDE BIOPORT memory cells. The time data in these memory cells are updated from the clock side (the system side) and are made available to the user side within the user's finest time resolution.

However, the user's finest time resolution is one second, so this leaves plenty of scope for variability (of the order of several milliseconds) between one update and the next. Since this variability might be noticeable to some applications (for example, those that poll the time registers regularly, or those that use an alarm function that is triggered once per second), this document sets out to explain the nature of the variability, to make it more predictable to the applications designer.

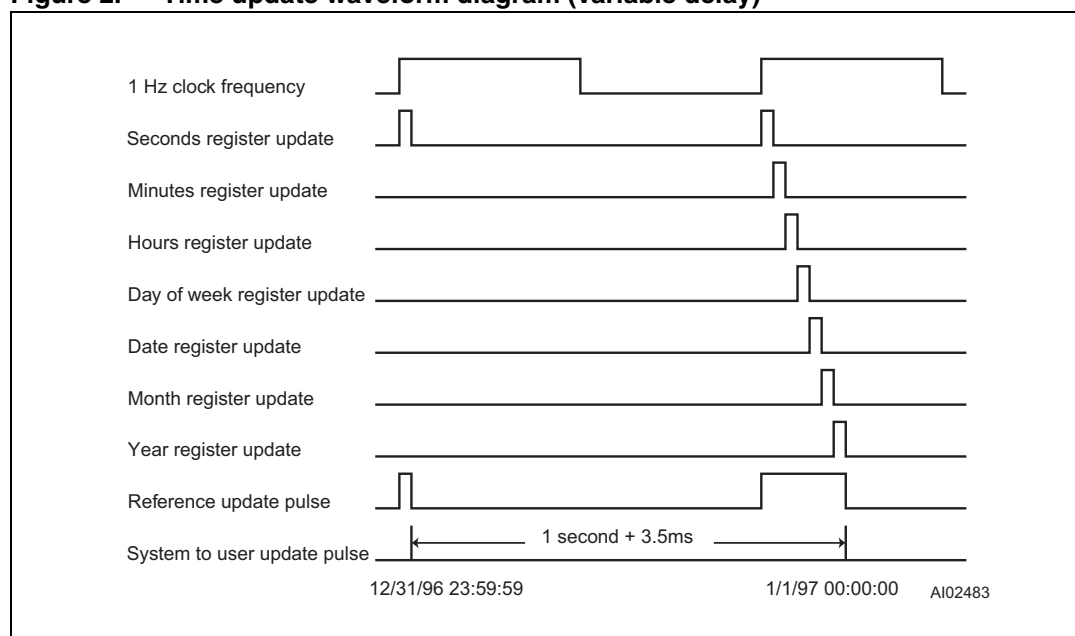
Figure 1. Internal architecture of an ST TIMEKEEPER[®] device



A 1 Hz clock signal, from the clock chain, is used to update the seconds register. Each rising edge of the 1 Hz clock signal increments the system side of the seconds register. Having updated the seconds register, a ripple carry to other registers might be initiated (for example, incrementing the minutes register from 00 to 01, after the seconds register has been incremented from 59 to 00). The longest possible ripple carry extends through all seven registers: seconds, minutes, hours, day of the week, date of the month, month of the year and year.

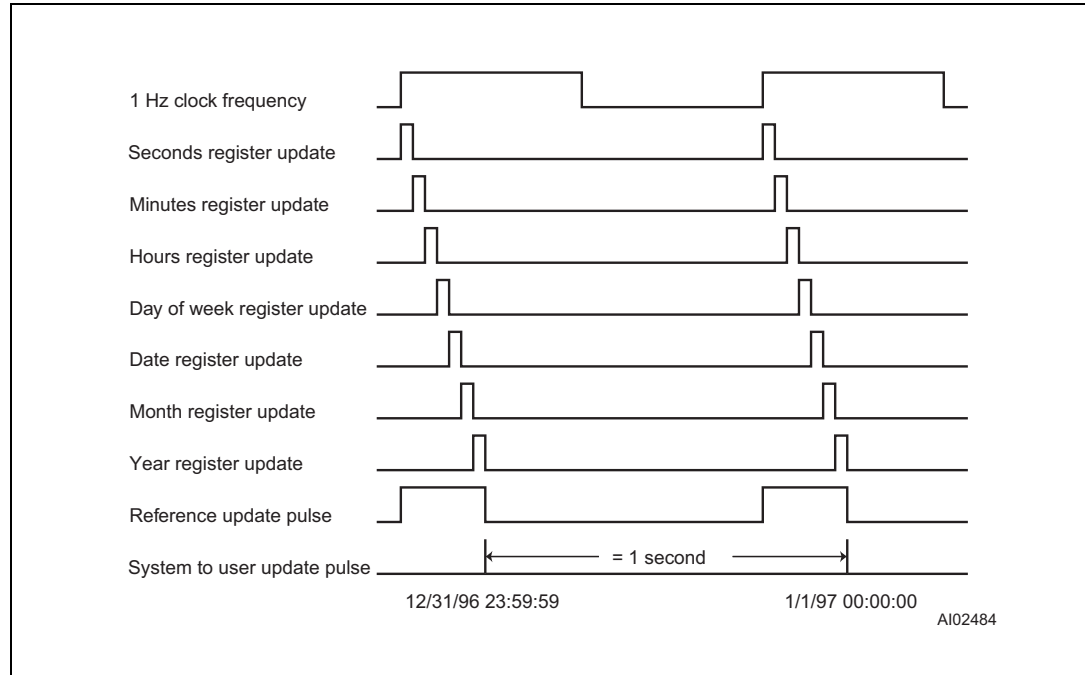
Figure 2 shows two consecutive updates of the seconds register. The first update only updates the seconds register; the second update, though, ripples through all seven clock registers. When the system-side time registers have finished being updated, they are copied across to the user-side, thereby making the updated time available to the user. Thus, the spacing between successive System-to-User-Update-Pulse is one second plus a delta delay that can vary from 0.5 ms to 3.5 ms (1×0.5 ms to 7×0.5 ms). The older M48T58 (revision B), M48T59 (revision B), and M48T559 are examples of TIMEKEEPER[®] devices that operate in this way.

Figure 2. Time update waveform diagram (variable delay)



An alternative approach, shown in [Figure 3](#), is adopted by the newer M48T02, M48T12, M48T08/Y, M48T18, M48T58/Y (revision C), M48T35/Y, M48T35AV, M48T37Y/V and M48T201Y/V devices. The spacing between successive System-to-User-Update-Pulse is always one second. Each pulse is delayed by the same delta time, of 3.5 ms, regardless of the number of registers that need incrementing within that period.

Figure 3. Time update waveform diagram (fixed delay)



(These examples are each shown with the calibration set to zero.)

Revision history

Table 1. Document revision history

Date	Revision	Changes
Dec-1998	1	Initial release.
17-Jul-2012	2	Textual updates concerning available TIMEKEEPER [®] devices.

Please Read Carefully:

Information in this document is provided solely in connection with ST products. STMicroelectronics NV and its subsidiaries ("ST") reserve the right to make changes, corrections, modifications or improvements, to this document, and the products and services described herein at any time, without notice.

All ST products are sold pursuant to ST's terms and conditions of sale.

Purchasers are solely responsible for the choice, selection and use of the ST products and services described herein, and ST assumes no liability whatsoever relating to the choice, selection or use of the ST products and services described herein.

No license, express or implied, by estoppel or otherwise, to any intellectual property rights is granted under this document. If any part of this document refers to any third party products or services it shall not be deemed a license grant by ST for the use of such third party products or services, or any intellectual property contained therein or considered as a warranty covering the use in any manner whatsoever of such third party products or services or any intellectual property contained therein.

UNLESS OTHERWISE SET FORTH IN ST'S TERMS AND CONDITIONS OF SALE ST DISCLAIMS ANY EXPRESS OR IMPLIED WARRANTY WITH RESPECT TO THE USE AND/OR SALE OF ST PRODUCTS INCLUDING WITHOUT LIMITATION IMPLIED WARRANTIES OF MERCHANTABILITY, FITNESS FOR A PARTICULAR PURPOSE (AND THEIR EQUIVALENTS UNDER THE LAWS OF ANY JURISDICTION), OR INFRINGEMENT OF ANY PATENT, COPYRIGHT OR OTHER INTELLECTUAL PROPERTY RIGHT.

UNLESS EXPRESSLY APPROVED IN WRITING BY TWO AUTHORIZED ST REPRESENTATIVES, ST PRODUCTS ARE NOT RECOMMENDED, AUTHORIZED OR WARRANTED FOR USE IN MILITARY, AIR CRAFT, SPACE, LIFE SAVING, OR LIFE SUSTAINING APPLICATIONS, NOR IN PRODUCTS OR SYSTEMS WHERE FAILURE OR MALFUNCTION MAY RESULT IN PERSONAL INJURY, DEATH, OR SEVERE PROPERTY OR ENVIRONMENTAL DAMAGE. ST PRODUCTS WHICH ARE NOT SPECIFIED AS "AUTOMOTIVE GRADE" MAY ONLY BE USED IN AUTOMOTIVE APPLICATIONS AT USER'S OWN RISK.

Resale of ST products with provisions different from the statements and/or technical features set forth in this document shall immediately void any warranty granted by ST for the ST product or service described herein and shall not create or extend in any manner whatsoever, any liability of ST.

ST and the ST logo are trademarks or registered trademarks of ST in various countries.

Information in this document supersedes and replaces all information previously supplied.

The ST logo is a registered trademark of STMicroelectronics. All other names are the property of their respective owners.

© 2012 STMicroelectronics - All rights reserved

STMicroelectronics group of companies

Australia - Belgium - Brazil - Canada - China - Czech Republic - Finland - France - Germany - Hong Kong - India - Israel - Italy - Japan - Malaysia - Malta - Morocco - Philippines - Singapore - Spain - Sweden - Switzerland - United Kingdom - United States of America

www.st.com

