



## STR71x BSPI COMMUNICATION WITH M25P10-A SERIAL FLASH

### INTRODUCTION

The aim of this application note is to present a practical example of communication using the BSPI peripheral of the STR71x.

It shows an easy way of communicating between a STR71x microcontroller and a M25P10-A SPI Serial Flash memory. The purpose is to perform, through BSPI, a write in the memory, followed by a read of the written data.

The software implemented manages write and read operations between the STR71x BSPI-interface and the M25P10-A serial flash memory from STMicroelectronics.

### 1 APPLICATION OVERVIEW

This section summarizes the main features of the connection between STR71x and the SPI Flash memory.

The Buffered Serial Peripheral Interface (BSPI) allows full-duplex, synchronous, serial communication between devices. A BSPI system may consist of a master and several slaves, or of a system in which devices may be either master or slave. There is only one master at any time.

During BSPI transfer, data is simultaneously transmitted (shifted out serially) and received (shifted in serially). Data is transmitted MSB first. The serial clock is used to synchronize the data transfer during a sequence of eight clock pulses.

The bus signals are:

- The serial clock (SCLK).
- The MOSI (Master Out Slave In).
- The MISO (Master In Slave Out).

Another pin, the SSN pin (slave select), is needed to select Slave or Master Mode for each device.

In this application note, the STR71x is always used as master (S1.SSN pin = high level). The STR71x and SPI Flash interface set-up is shown in [Figure 2](#).

## 2 STR71X CONFIGURATION

### 2.1 I/O CONTROL

Five pins of the STR71x are used:

- The 4 (data and clock) BSPI pins (S1.SCLK, S1.MOSI, S1.MISO, S1.SSN)
- An output (P0.3) pin to select and deselect the M25P10-A

In this application, the P0.3 pin is used to drive the M25P10-A chip select pin. It is configured as output push-pull (refer to the *STR71x Reference Manual* for more details).

### 2.2 BSPI PERIPHERAL

#### 2.2.1 Baud Rates

Firstly, you have to choose the BSPI communication speed. As the clock is given by the master, you must configure the baud rate of the STR71x using the function `BSPI_ClockDividerConfig(BSPI1, Divider_factor_bits)` or directly with the `BSPI1_CLK` register (refer to *STR71x Reference Manual* for more details).

**Note:** In master mode, the `Divider_factor_bits` parameter must be an even number greater than five (refer to *STR71x Reference Manual* for more details).

#### 2.2.2 Clock Phase and Polarity

The next items to configure are the clock polarity and phase. The clock polarity `CPOL` controls the steady state value of the clock when no data is being transferred.

The clock phase `CPHA` selects on which clock transition the bit capture is made and consequently on which clock transition data is latched.

You must be careful because some devices do not allow all timing relationships. For instance, the M25P10-A Serial Flash Memory device accepts only `CPOL, CPHA = (0,0)` or `(1,1)` configurations.

### 3 M25P10-A SERIAL FLASH MEMORY MANAGEMENT AND CONFIGURATION

#### 3.1 SUMMARY DESCRIPTION

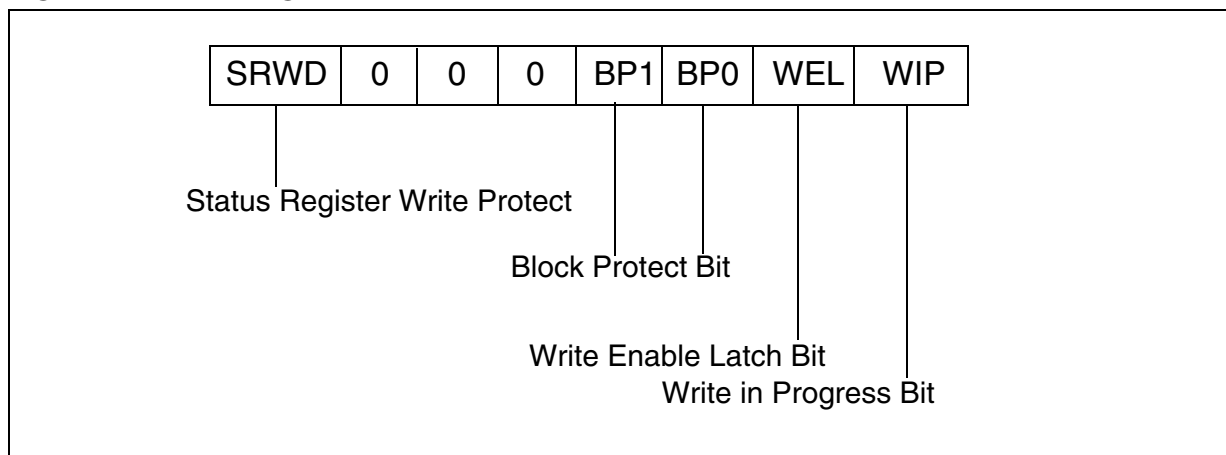
The M25P10-A is a 1 Mbit (128k \* 8) Serial Flash Memory, with advanced write protection mechanisms, accessed by a high speed SPI-compatible bus. The memory can be programmed 1 to 256 bytes at a time, using the Page Program instruction.

The write protect pin ( $\overline{W}$ ) and the hold pin ( $\overline{H}$ ) are not used in our application (both are high level).

#### 3.2 STATUS REGISTER

The device has one status register which contains a number of control bits and status bits, as shown in the following figure:

**Figure 1. Status Register Control and Status Bits**



The SRWD bit is operated in conjunction with the Write Protect ( $\overline{W}$ ) signal.

The BP1 and BP0 bits in the status register can be used to write protect a block of memory. In this application, both bits are cleared, allowing write access to all memory.

The WEL bit indicates the status of the write enable latch.

The WIP bit indicates whether the memory is busy with a Write Status register, Program or Erase cycle.

#### 3.3 INSTRUCTION SET

Prior to any operation, the device must be selected ( $\overline{S}$  pin at low level), then a one-byte instruction code must be sent to the Serial Flash Memory. The device has a set of 11 instructions: (see Table 1, "Instruction Set," on page 4).

Table 1. Instruction Set

Instruction	Description	One-byte Instruction Code	Address Bytes	Dummy Bytes	Data Bytes
WREN	Write Enable	0000 0110	0	0	0
WRDI	Write Disable	0000 0100	0	0	0
RDSR	Read Status Register	0000 0101	0	0	1 to $\infty$
WRSR	Write Status Register	0000 0001	0	0	1
READ	Read Data Bytes	0000 0011	3	0	1 to $\infty$
FAST_READ	Read Data Bytes at Higher Speed	0000 1011	3	1	1 to $\infty$
PP	Page Program	0000 0010	3	0	1 to 256
SE	Sector Erase	1101 1000	3	0	0
BE	Bulk Erase	1100 0111	0	0	0
DP	Deep Power-down	1011 1001	0	0	0
RES	Release from Deep Power-down, and Read Electronic Signature	10101011	0	3	1 to $\infty$
	Release from Deep Power-down		0	0	0

## 4 COMMUNICATION BETWEEN STR71X AND SERIAL FLASH MEMORY

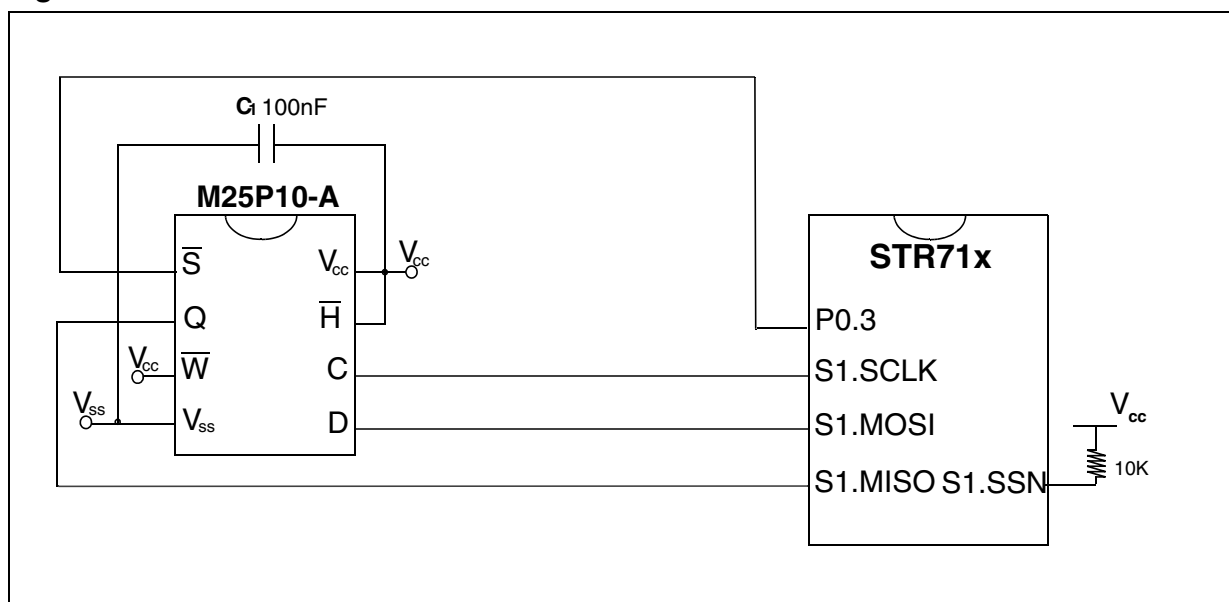
The software included with this application note offers a set of functions allowing communication with the flash memory. The complete software can be found on the ST internet website. It is a particular example and it is up to you to adapt it to your specific application.

### 4.1 HARDWARE DESCRIPTION

Two components were used for the application:

- 1 STR71x MCU device.
- 1 M25P10-A Serial Flash Memory

**Figure 2. Hardware overview**



S1.SSN pin of STR71x is hardware driven (high level for a master device).

The S1.SCLK pin is connected to the serial clock pin (C) of the Serial Flash Memory.

The S1.MOSI pin to the serial input pins (D).

The S1.MISO pin to the serial output pins (Q).

$\bar{S}$  pin of the Serial Flash Memory is connected to the P0.3 output pin of the STR71x.

### 4.2 SOFTWARE IMPLEMENTATION

In this application note the software modules are developed in C language, with RVDK environment.

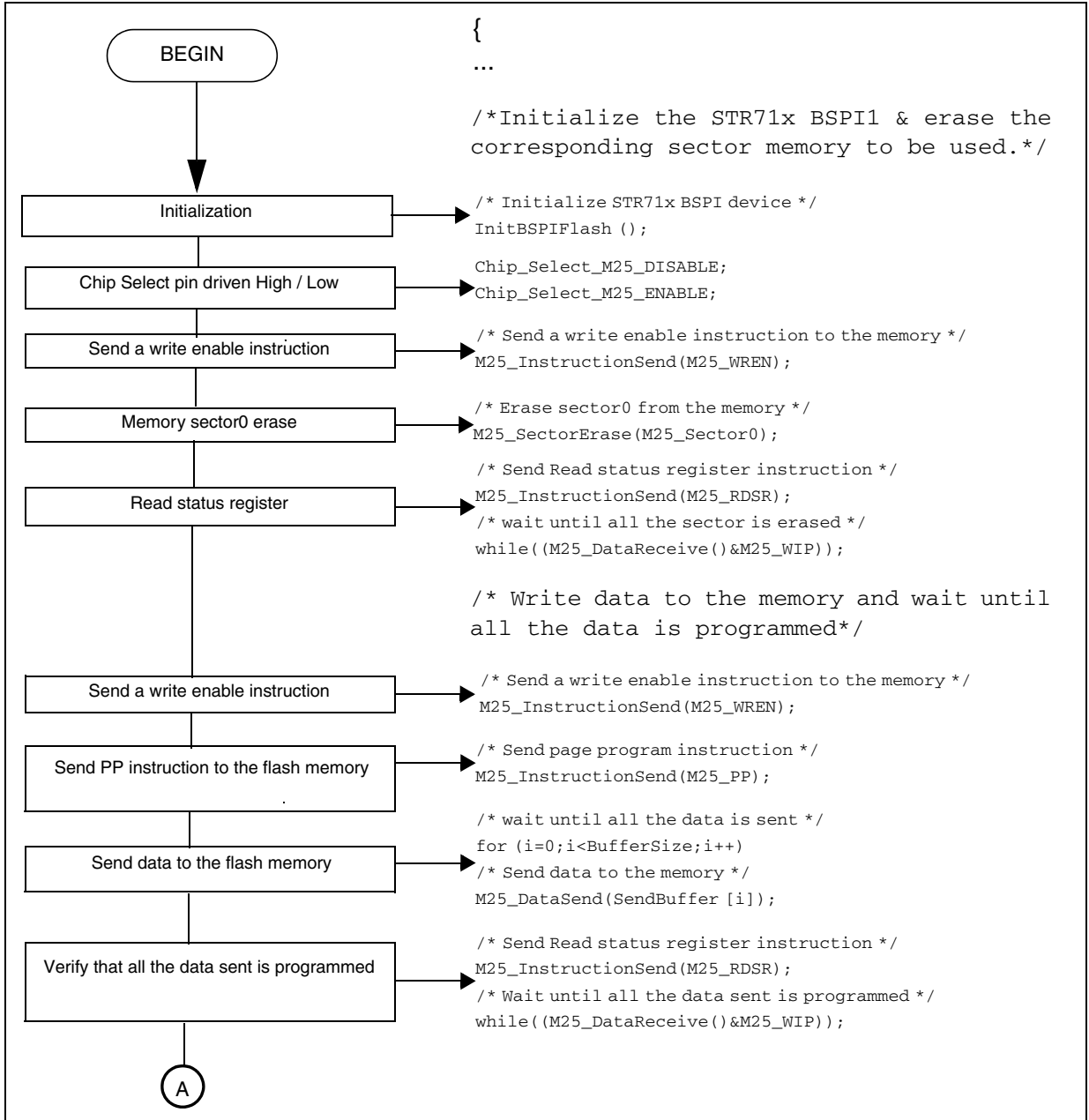
The software implemented in order to manage write and read operations between the STR71x BSPI interface and the M25P10-A is described below.

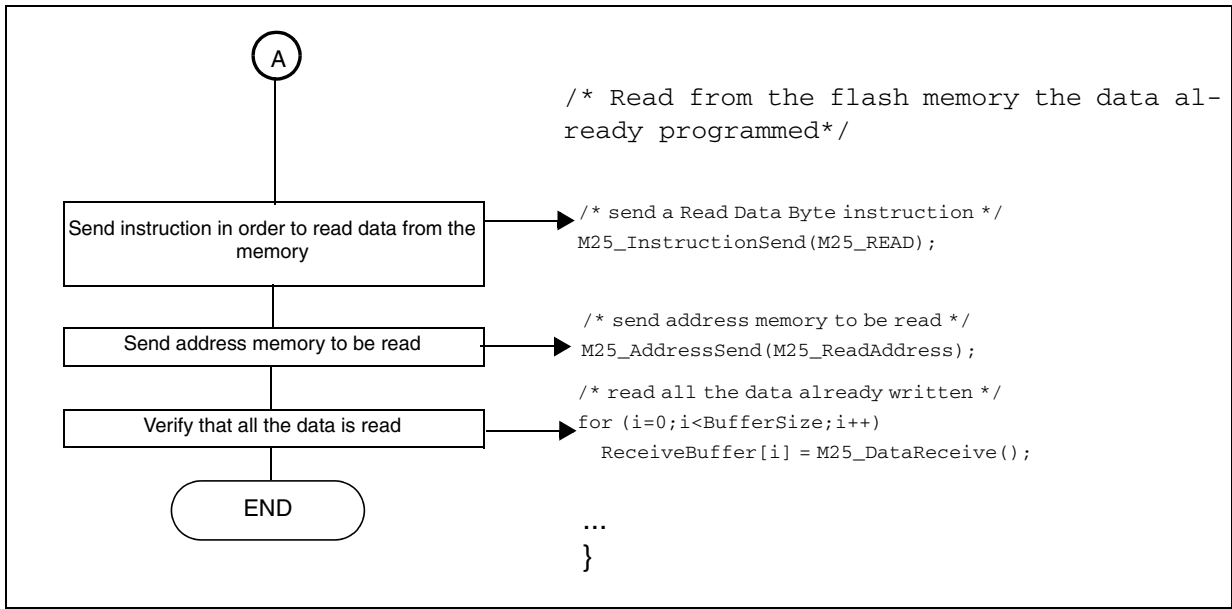
It is made up of 4 parts:

- 1) Configuration of BSPI1 as a master,
- 2) Erase M25 SPI flash sector0,
- 3) Transmission of several bytes from Master to M25 SPI flash,
- 4) Read data already written to the M25 SPI flash.

## 4.2.1 Flowchart

The flowchart of the application is given below.





“THE PRESENT NOTE WHICH IS FOR GUIDANCE ONLY AIMS AT PROVIDING CUSTOMERS WITH INFORMATION REGARDING THEIR PRODUCTS IN ORDER FOR THEM TO SAVE TIME. AS A RESULT, STMICROELECTRONICS SHALL NOT BE HELD LIABLE FOR ANY DIRECT, INDIRECT OR CONSEQUENTIAL DAMAGES WITH RESPECT TO ANY CLAIMS ARISING FROM THE CONTENT OF SUCH A NOTE AND/OR THE USE MADE BY CUSTOMERS OF THE INFORMATION CONTAINED HEREIN IN CONNECTION WITH THEIR PRODUCTS.”

Information furnished is believed to be accurate and reliable. However, STMicroelectronics assumes no responsibility for the consequences of use of such information nor for any infringement of patents or other rights of third parties which may result from its use. No license is granted by implication or otherwise under any patent or patent rights of STMicroelectronics. Specifications mentioned in this publication are subject to change without notice. This publication supersedes and replaces all information previously supplied. STMicroelectronics products are not authorized for use as critical components in life support devices or systems without express written approval of STMicroelectronics.

The ST logo is a registered trademark of STMicroelectronics.

All other names are the property of their respective owners

© 2005 STMicroelectronics - All rights reserved

STMicroelectronics group of companies

Australia – Belgium - Brazil - Canada - China – Czech Republic - Finland - France - Germany - Hong Kong - India - Israel - Italy - Japan - Malaysia - Malta - Morocco - Singapore - Spain - Sweden - Switzerland - United Kingdom - United States of America

[www.st.com](http://www.st.com)