



## DIFFERENT WAYS TO RESET ST7 MICROCONTROLLER

---

### INTRODUCTION

The ST7 Microcontroller can be reset in several ways. This application note explains the different ways in which you can reset the ST7 MCU to make best use of them while designing your application.

The various reset sources are:

- External Reset
- Internal Low Voltage Detect (LVD) Reset
- Internal Watchdog Reset

These sources act on the  $\overline{\text{RESET}}$  pin and it is always kept low during delay phase. The Reset service routine vector is fixed at address FFFEh-FFFFh in the ST7 memory map.

## 1 INTERNAL LOW VOLTAGE DETECTOR (LVD) RESET

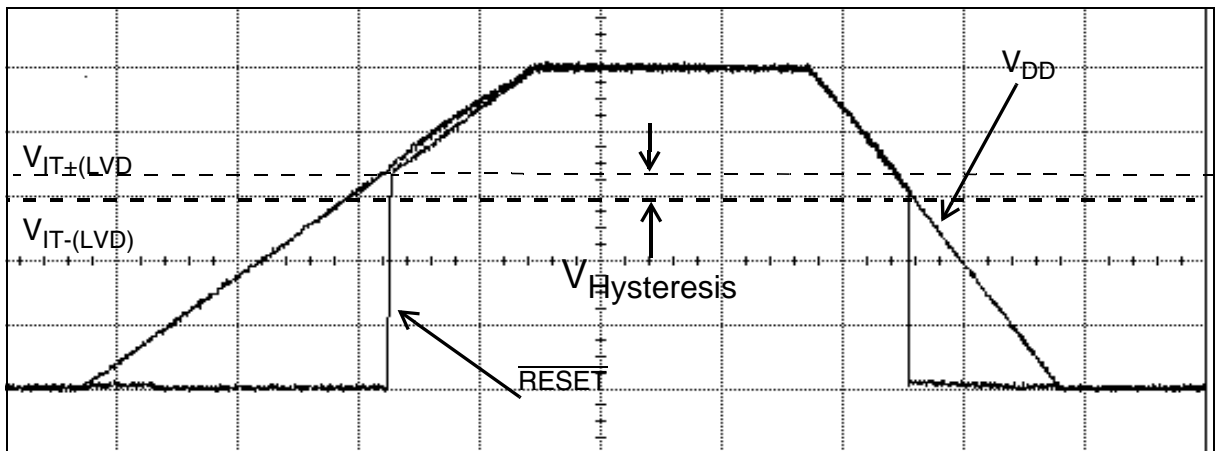
The LVD function continuously monitors the supply voltage and generates a reset when the  $V_{DD}$  is below:

- $V_{IT+(LVD)}$ , Reset Release voltage when  $V_{DD}$  is rising
- $V_{IT-(LVD)}$ , Reset Generation voltage when  $V_{DD}$  is falling

This means it secures power-up as well as power-down keeping ST7 in reset. The LVD function is illustrated in [Figure 1](#).

The difference between  $V_{IT+(LVD)}$  and  $V_{IT-(LVD)}$  is called LVD hysteresis. The  $V_{IT-(LVD)}$  reference value for a voltage drop is lower than the  $V_{IT+(LVD)}$  reference value for power-on in order to avoid parasitic reset when the MCU starts running and sinks current on supply.

**Figure 1. LVD Vs Reset**



The voltage threshold can be configured by option byte to be low, medium or high. The LVD is an optional function which can be selected through option byte and it allows the device to be used without any External Reset circuitry. During a LVD reset, the  $\overline{RESET}$  pin is held low, thus permitting the MCU to reset other devices.

After the device is powered on the supply voltage starts increasing. when the supply voltage reaches around 1.1V, the internal pull-up on the  $\overline{RESET}$  pin is enabled and the core is initialized. After the  $V_{DD}$  reaches 1.8V, the option bytes are enabled, LVD is enabled by the option bytes (if selected) and the device is in Run mode. The reset will be released at the reset release threshold: high, medium or low depending upon the selection through option bytes.

### 2 INTERNAL WATCHDOG RESET

The Watchdog timer is used to detect the occurrence of a software fault, usually generated by external interference or by unforeseen logical conditions, which cause the application program to abandon its normal sequence. The watchdog circuit generates an MCU reset on expiry of a programmed time period, unless the counter contents are refreshed.

The hardware WDG selectable through option byte is on immediately after reset. The software WDG will have to be switched on through software. Both, once set on, can no longer be disabled.

#### 2.1 WATCHDOG TIMER

This is present in all ST7 devices except ST7FLite0. It is a programmable free-running down counter. The length of the timeout period can be programmed by the user in 64 increments by varying the counter stored in CR register.

If the watchdog is activated (the WDGA bit is set) and when the 7-bit timer rolls over from 40h to 3Fh, it initiates a reset cycle pulling low reset pin for typically 30 $\mu$ s.

The application program must regularly refresh the watchdog before its timeout period expires in order to prevent MCU reset. The WDGCR register must be written at regular intervals and the value stored in the register must be between FFh and C0h.

#### 2.2 WATCHDOG (LITE TIMER)

This Watchdog is present in ST7FLite0 for instance. The watchdog runs with the Lite Timer. The normal watchdog timeout period is 2msec (@8MHz  $F_{CPU}$ ) after which it generates a reset. A watchdog reset can be forced at any time provided that the watchdog is already active.

To prevent a watchdog reset, software must set the WGDG bit before the timeout period has elapsed.

## 3 EXTERNAL RESET

A reset signal originating from an external source is one of the ways in which you can reset the microcontroller. This signal must have a duration of at least the External reset pulse hold time,  $t_{h(RSTL)}^{1)}$  in order to be recognized. This detection is asynchronous and therefore the MCU can enter reset state even in Halt mode.

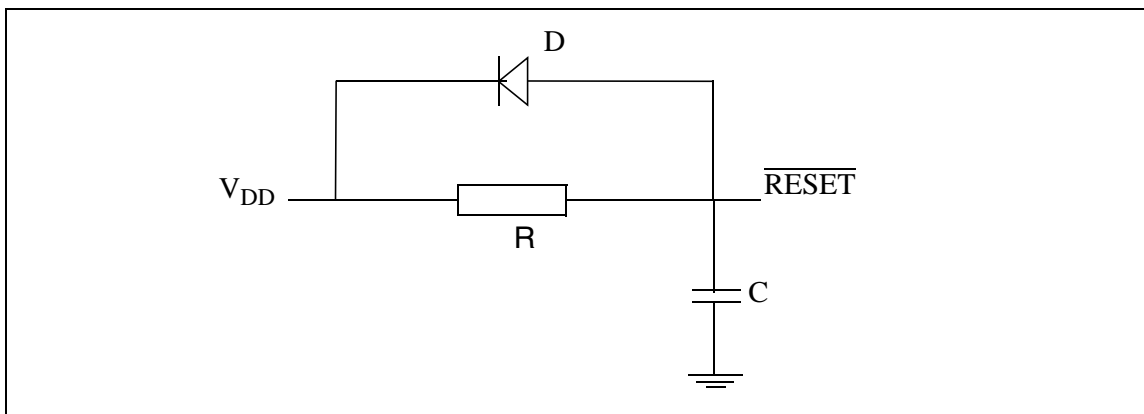
There are several reset implementation schemes to choose from based on your application-specific parameters, such as power supply behaviour. Whatever the solution chosen, the idea is to keep the  $\overline{RESET}$  pin at a low logic level until the supply has reached a safe operating voltage. Therefore you should design your external circuit in such a manner that there is enough delay to keep the  $\overline{RESET}$  pin below the  $V_{IL}$  value.

### 3.1 RCD Circuit

This concept is the simplest, most cost-effective external reset solution where the supply waveform is monotonous and the maximum rise time is known. The principle is to let the  $\overline{RESET}$  pin rises with the MCU supply voltage after a delay. The circuit is shown in [Figure 2](#).

The basic solution is to use an RC delay determined by the rise rate of the supply itself. The component values must be chosen to create enough delay to keep the  $\overline{RESET}$  pin below the  $V_{IL}^{2)}$  specification until  $V_{DD}$  reaches a safe operating voltage. Normally, a delay (Time Constant) corresponding to at least 30% of the total rise time is generally advised.

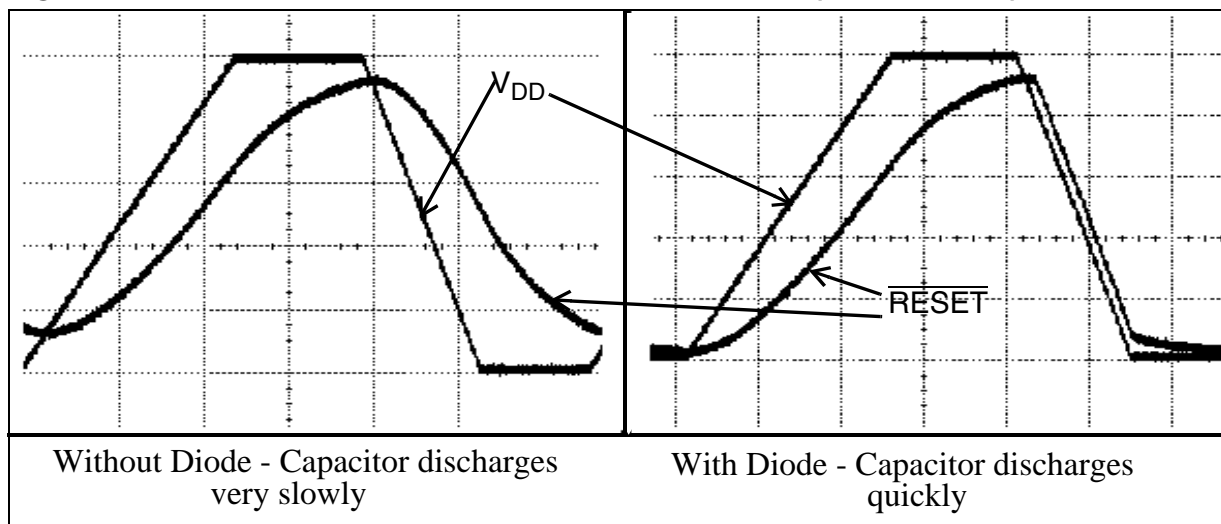
**Figure 2. RCD Circuit**



This scheme requires a certain delay between a power-down and next power-up, because the delay generator has to be re initialized. In practice, a pull-down capacitor between  $\overline{RESET}$  and Gnd needs to be discharged. The diode between  $\overline{RESET}$  and  $V_{DD}$  is helpful, it quickly discharges the capacitor when  $V_{DD}$  falls. This helps ensure a proper  $\overline{RESET}$  pin input on the subsequent power-up, should it occur soon after the power down (the delay required is reduced). The difference in the discharge time of the Capacitor with and without the diode is significant from [Figure 3](#).

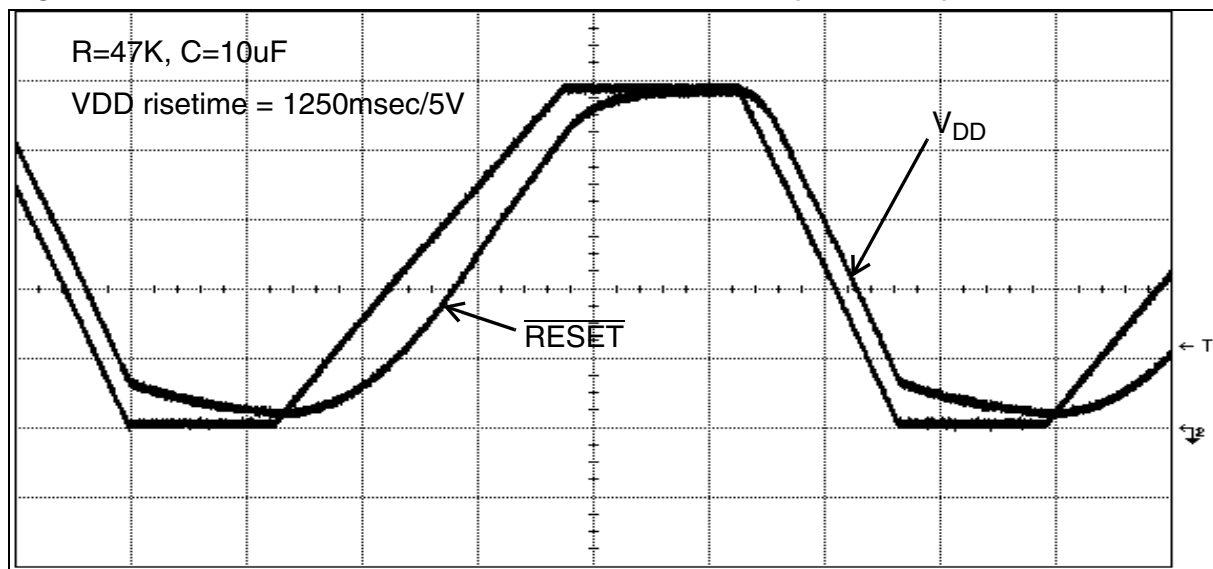
- 1 For specific  $t_{h(RSTL)}$  values refer to the datasheet of the particular microcontroller
- 2 For specific  $V_{IL}$  values refer the to datasheet of the particular microcontroller

Figure 3. Waveform of Power-on-Reset with RCD Circuit (Without MCU)



On ST7 there are internal protection diodes on the pads, which would solve the purpose of this external diode, thereby you could do away with this diode in your actual implementation with the MCU. The waveform of Power-on Reset with the External RC Circuit connected to ST7 without the diode is shown in [Figure 4](#).

Figure 4. Waveform of Power-on-Reset with RC Circuit (With MCU)



One consideration when choosing the values of the resistor and capacitor is to ensure that resistor's value does not get too high and interfere with the ability to drive  $\overline{RESET}$  pin high given the worst case leakage current of the pin. Higher resistor values in the order of Mega Ohms could possibly create an input level on the  $\overline{RESET}$  pin that would be below the  $V_{IH}$  specification. The capacitor should not be too large when using MCU's that have an active internal reset because this could mask the Internal reset. So, a proper combination of component values is required. Because of this limitation of selecting higher component values, this solu-

tion cannot be used for very slow supply voltage rise time. It would be suitable when the rise time is fairly fast.

In all ST7 microcontrollers you have a weak pull-up equivalent resistor whose values differ for different MCUs. This equivalent resistor is sensitive to temperature so while calculating the component values based on the maximum supply rise time, please remember to take this resistor into account as it would come in parallel with the external resistor. In case your application would be running at very low temperature an internal pull-up resistor at the  $\overline{\text{RESET}}$  pin would have a minimum value.

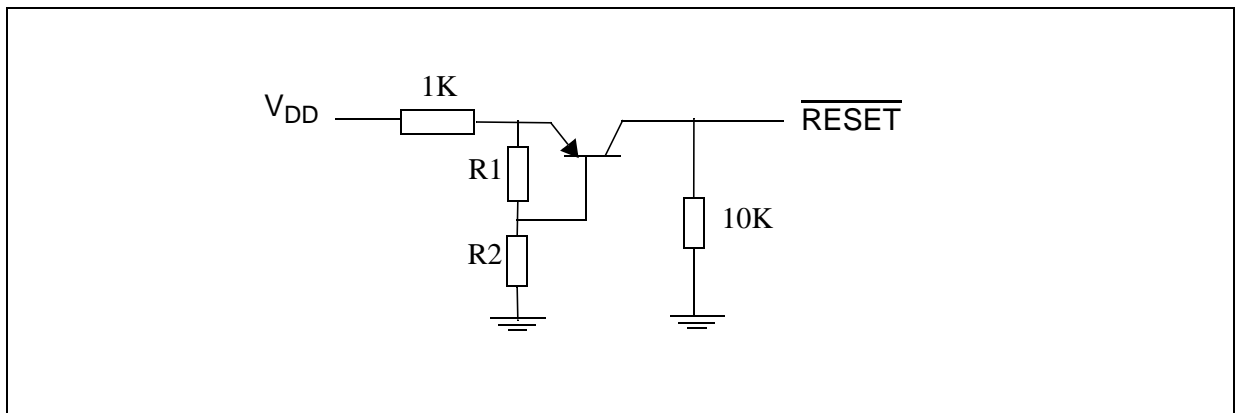
This circuit cannot be used when the power supply oscillates during power-down. As the supply may drop momentarily (oscillate) below the minimum safe level, with the  $\overline{\text{RESET}}$  pin held high, as a consequence internal logic is not guaranteed any more, and the  $\overline{\text{RESET}}$  pin cannot be seen at a logic low level to ensure a safe restart.

### 3.2 Transistor based External Reset circuits

This solution is necessary if the supply voltage rise time is unspecified or it is very slow.

The transistor is closed as long as the supply voltage is below the threshold value, this allows the pull-down resistor at the reset pin to pull reset low. Once the  $V_{DD}$  rises above this threshold value the transistor is open, keeping the  $\overline{\text{RESET}}$  at  $V_{DD}$ , thereby releasing the reset. The transistor is turned on once the voltage from emitter to base drops below a certain value, usually around 0.6-0.7V.

**Figure 5. Transistor based External Reset circuit with potential divider to bias the transistor.**



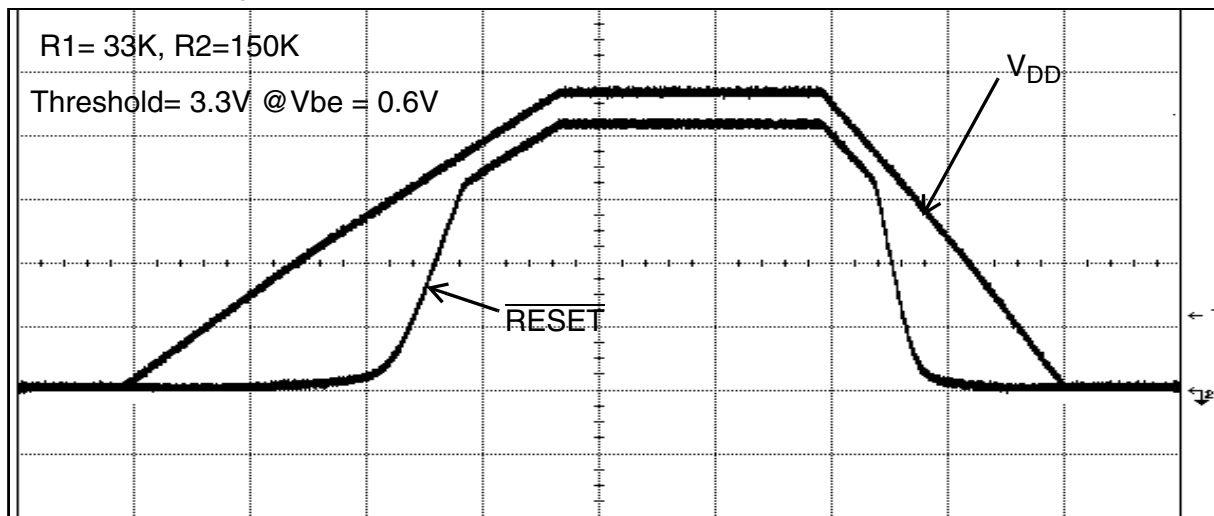
Resistors, R1 and R2 form a voltage divider which controls the emitter-base voltage. The threshold is defined by  $\{(R1+R2)/R1\} \cdot V_{be}$

Depending on the threshold required and the emitter-base voltage of the transistor, you would get the ratio of two resistances,  $R2/R1$ . Selecting the resistor values in order to satisfy this ratio would give the desired threshold.

While making the selection of the pull-down resistance connected at the  $\overline{\text{RESET}}$  pin there are certain points to be considered. The  $\overline{\text{RESET}}$  pin in ST7 has a pull-up resistance of minimum 20K, when the transistor is off this pull-up resistance and the pull-down resistance at the

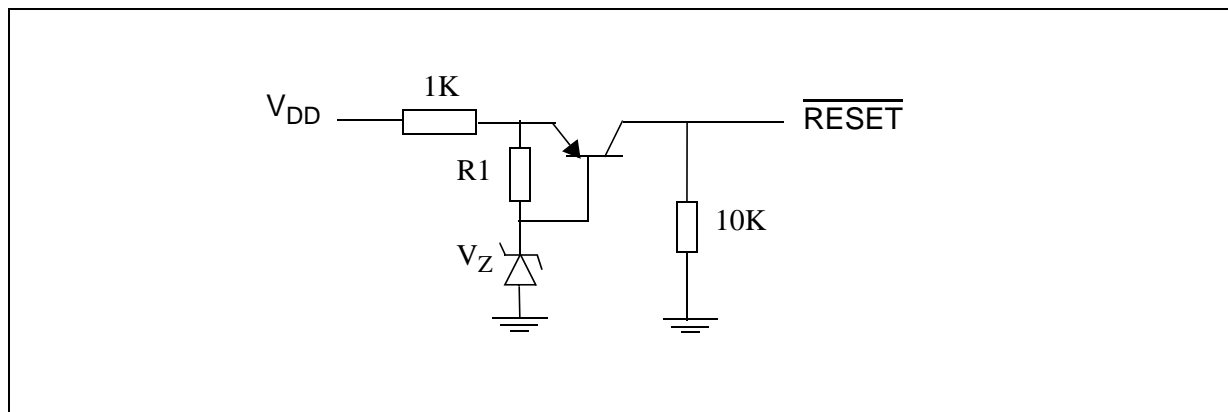
$\overline{\text{RESET}}$  pin connected externally form a voltage divider. Hence, this pull-down resistor should be selected in such a way ensuring the voltage at the  $\overline{\text{RESET}}$  pin is sufficiently low to reset the microcontroller. Keeping this in mind the recommended value for this pull-down resistor is 10K or lower, thus keeping the voltage at the  $\overline{\text{RESET}}$  pin less than  $(1/3)*V_{DD}$ .

**Figure 6. Waveform of Power-on-Reset with PNP Reset Circuit (Transistor biased with Potential divider)**



When you require more precision in terms of voltage threshold then you can replace resistor R2 with a Zener diode. In this case the threshold of the circuit would be equal to the breakdown voltage of the Zener diode,  $V_Z$ . Otherwise, the basic operation of this circuit is same as above circuit.

**Figure 7. Transistor based External Reset circuit with Zener diode to bias the transistor**



### 4 RECOMMENDATIONS TO PROVIDE A SAFE RESET

There are a few points which should always be kept in mind to avoid unwanted situations. They are:

- To avoid the device from entering in ICC mode during a reset, it is mandatory to put an external pull-up of 10K on ICC CLK pin in a noisy environment (only in the case of devices that do not have ICCSEL).
- The supply voltage should rise monotonously when the device is exiting from reset using Internal LVD, to ensure application starts properly.
- The pull-down resistor at  $\overline{\text{RESET}}$  pin should not be more than 10K for External Reset circuits.
- If the supply voltage is rising in steps please ensure that the first step is at 2V in less than 40msec so that the MCU starts properly.
- It is better to use External Reset circuits when the capacitive power supply is used, since the supply voltage rises very slowly and is out of range of Internal LVD due to the large capacitance value.
- Please refer the datasheet of the device carefully for certain device specific precautions/ recommendations.



## 5 PROS AND CONS OF DIFFERENT TYPES OF RESET MECHANISM

This section includes the advantages and disadvantages of both External Reset and Internal LVD. In the section below '+' indicates advantages and '-' indicates disadvantages.

### 5.1 EXTERNAL RESET CIRCUIT

- + It can be used for very slow rising supply. External RCD circuit is suitable for fairly fast VDD slopes. Transistor based Reset circuits can be used for very slow VDD slopes
- Extra components required resulting in additional cost and extra space on PCB
- Current consumption (Transistor based External Reset circuits) higher than that of Internal LVD

### 5.2 INTERNAL LVD

- + Each MCU has three programmable thresholds
- + No additional cost, as this feature come with the microcontroller
- + No extra components, no extra space on the PCB
- LVD current consumption quite high when compared to External LVD
- VDD slope range is limited
- Supply Voltage should rise monotonously for correct functionality of LVD
- Poor accuracy of reset voltage threshold

### 5.3 EXTERNAL LVD

- + Could be useful if the application requires a specific threshold (other than LVD threshold)
- + Power consumption much less (6uA for STM809-812)
- + Offers excellent immunity to supply transients
- + A stand alone Reset can monitor a special voltage for a peripheral
- + Several stand alone resets can be put in parallel.
- + Reset threshold more accurate
- One chip can provide only one threshold (Internal LVD has three programmable thresholds)
- Extra space on PCB
- Additional cost, cost: 1 to 10K units: \$0.16

## DIFFERENT WAYS TO RESET ST7 MICROCONTROLLER

---

“THE PRESENT NOTE WHICH IS FOR GUIDANCE ONLY AIMS AT PROVIDING CUSTOMERS WITH INFORMATION REGARDING THEIR PRODUCTS IN ORDER FOR THEM TO SAVE TIME. AS A RESULT, STMICROELECTRONICS SHALL NOT BE HELD LIABLE FOR ANY DIRECT, INDIRECT OR CONSEQUENTIAL DAMAGES WITH RESPECT TO ANY CLAIMS ARISING FROM THE CONTENT OF SUCH A NOTE AND/OR THE USE MADE BY CUSTOMERS OF THE INFORMATION CONTAINED HEREIN IN CONNECTION WITH THEIR PRODUCTS.”

Information furnished is believed to be accurate and reliable. However, STMicroelectronics assumes no responsibility for the consequences of use of such information nor for any infringement of patents or other rights of third parties which may result from its use. No license is granted by implication or otherwise under any patent or patent rights of STMicroelectronics. Specifications mentioned in this publication are subject to change without notice. This publication supersedes and replaces all information previously supplied. STMicroelectronics products are not authorized for use as critical components in life support devices or systems without express written approval of STMicroelectronics.

The ST logo is a registered trademark of STMicroelectronics.

All other names are the property of their respective owners

© 2005 STMicroelectronics - All rights reserved

STMicroelectronics group of companies

Australia – Belgium - Brazil - Canada - China – Czech Republic - Finland - France - Germany - Hong Kong - India - Israel - Italy - Japan - Malaysia - Malta - Morocco - Singapore - Spain - Sweden - Switzerland - United Kingdom - United States of America

[www.st.com](http://www.st.com)