



**STR73x microcontroller power management**

---

**Introduction**

This application note provides an overview of the STR73x power management features and gives some guidelines for using the low power modes to minimize the power consumption of the microcontroller.

Example software is provided with this application note for implementing and showing the various low power modes.

---

## Contents

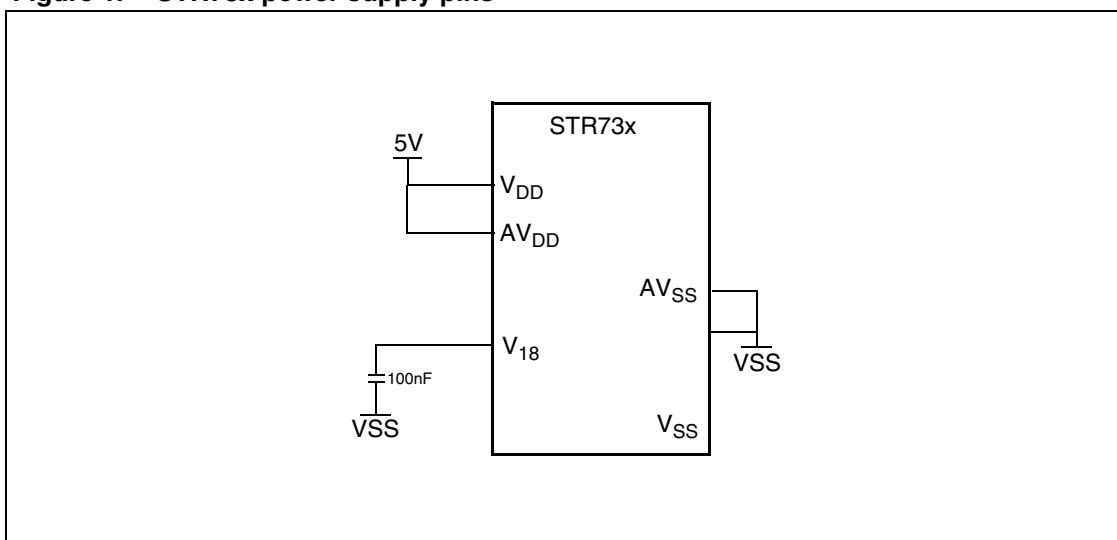
<b>1</b>	<b>Power supply</b> .....	<b>3</b>
1.1	Power supply pins .....	3
1.2	Internal regulators .....	3
1.2.1	Low Power Voltage Regulator (LPVR) .....	4
<b>2</b>	<b>Clock management</b> .....	<b>5</b>
2.1	Clock configuration & power management .....	5
2.2	Disabling peripherals clocks .....	5
<b>3</b>	<b>STR73x low power modes</b> .....	<b>6</b>
3.1	Low power mode characteristics .....	6
3.2	Guidelines for entering/exiting low power modes .....	6
3.2.1	SLOW mode .....	6
3.2.2	WFI mode .....	7
3.2.3	LPWFI mode .....	7
3.2.4	STOP mode .....	7
3.2.5	HALT mode .....	8
<b>4</b>	<b>Example application</b> .....	<b>9</b>
4.1	Example hardware .....	9
4.2	Example software .....	9
4.3	Power consumption measurements .....	10
<b>5</b>	<b>Revision history</b> .....	<b>11</b>

# 1 Power supply

## 1.1 Power supply pins

The following figure indicates the recommended configuration for the power supply pins:

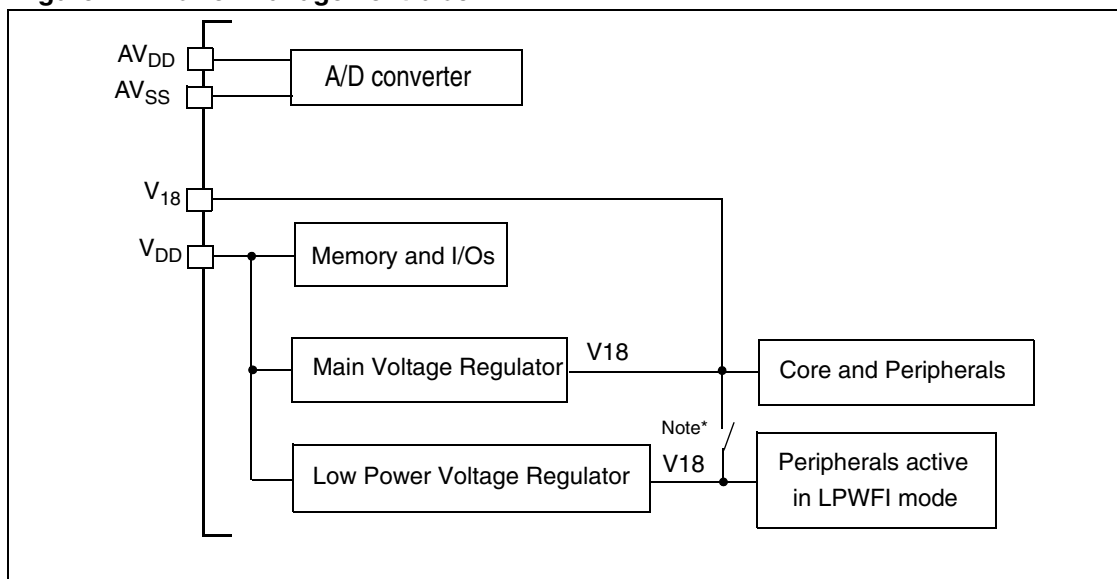
**Figure 1. STR73x power supply pins**



- V<sub>DD</sub> pin: is the 5V main power supply pin.
- V<sub>18</sub> pin: must be connected to a capacitor of at least 100nF (ceramic) in order to guarantee the stability of the 1.8V supply to the core.

## 1.2 Internal regulators

The following figure provides a schematic view of the power management block of the STR73x.

**Figure 2. Power management block**

Note: \* Disconnected in LPWFI mode.

Main Voltage Regulator (MVR)

In normal operation, the Main Voltage Regulator (MVR) provides the 1.8V supply.

The MVR can be switched off when entering a low power mode (refer to [Section 3](#))

When the MVR is switched off, the Low Power Voltage Regulator (LPVR) can provide a power supply of about 1.8V (+/- 10%).

Note: 1 The MVR has a static power consumption of 3.97 mA typ at 25°C.

2 When the MVR is switched off, The PLL is automatically disabled (PLL off) and the maximum allowed operating frequency is 2 MHz, this is due to the limitation imposed by the LPVR which is not able to generate sufficient current to operate in run mode.

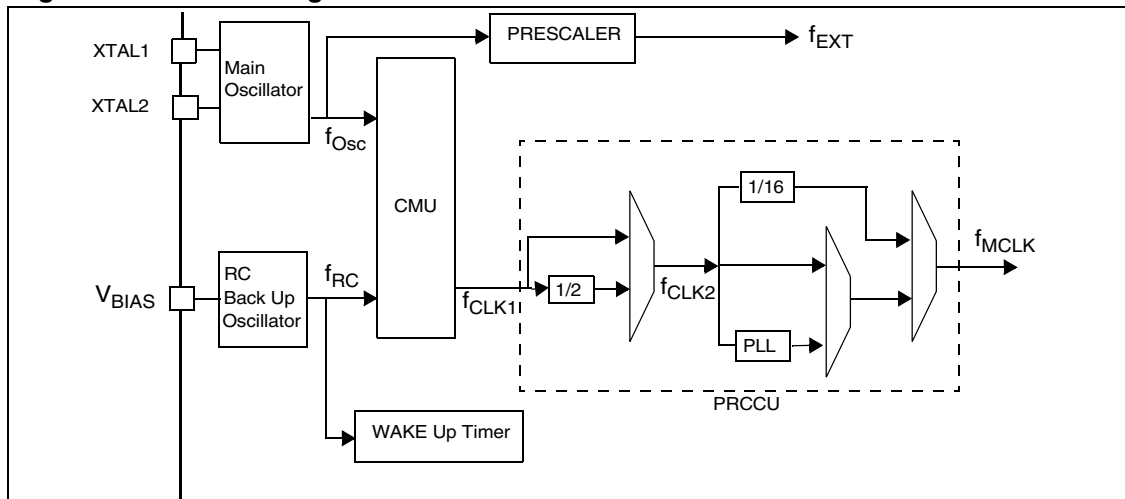
### 1.2.1 Low Power Voltage Regulator (LPVR)

The Low Power Voltage Regulator (LPVR) is used when the MCU is in low-power mode and the main voltage regulator has been switched off. It has a different design from the main voltage regulator and generates a stabilized and thermally-compensated voltage in the range of 1.8V (+/- 10%), its output current is not generally sufficient for the device to run in normal operation.

## 2 Clock management

The following figure provides an overview of the clock management block of the STR73x:

**Figure 3. Clock management block**



Legend:

$f_{MCLK}$  = to CPU and peripherals

$f_{CLK1}$  = from CMU, to PRCCU

$f_{CLK2}$  = before PLL

### 2.1 Clock configuration & power management

Different clock configurations are provided by the STR73x MCU offering the means to optimize the power consumption in the device, the main features are:

- Individual peripheral clock disabling.
- Up to three low power system clocks: CLK2, CLK2/16 and the PLL Free running mode clock (refer to the PRCCU section in the STR73x reference manual for details on the PLL free running mode).

### 2.2 Disabling peripherals clocks

The peripheral clock managing registers (PCGR0 and PCGR1 of the configuration registers) allows each module clock of the device to be switched on/off individually. Refer to the Configuration Registers section in the STR73x reference manual.

Note: 1 PLL is automatically disabled when:

- The Main Voltage Regulator (MVR) is stopped
- Entering LPWFI, STOP or HALT low power modes
- When PRCCU\_PLLCR DX[2:0] bits are set to '111' and FREEN bit is reset

2 When not using the RC clock, you can disable it by setting bit RCHSE and/or RCSS in the PCU\_CTRL register.

## 3 STR73x low power modes

### 3.1 Low power mode characteristics

The STR73x low power modes are summarized in the following table:

**Table 1. STR73x low power modes**

Power mode	Description
SLOW	- PLL off and MCLK <sup>1)</sup> = CLK2 or CLK2/16 - Free running PLL
Wait For Interrupt (WFI)	- Core stopped (MCLK off) - Wake-up by interrupts acknowledged by the interrupt controller (EIC) - MCU state retained (context restored after wakeup)
Low Power WFI (LPWFI)	- Core stopped (MCLK off) - Peripherals running at slow clock: CLK2/16 - Wake-up by interrupts acknowledged by the EIC - MCU state retained
STOP	- Core and peripherals stopped (MCLK off) - Wake-up by the configured external wake-up lines - MCU state retained
HALT	- Oscillators stopped - Wake up is only possible by means of external reset (H/W pin) or LVD reset (Power-on) as the RC oscillator is off

Note: 1 Refer to [Figure 3](#) for the definition of the various clocks (MCLK, CLK1, CLK2, CLK2/16, RC).

### 3.2 Guidelines for entering/exiting low power modes

#### 3.2.1 SLOW mode

To enter SLOW mode, MCLK must be configured as CLK2 or CLK2/16.

When using these clock settings, the PLL can be disabled by writing '111' in the DX[2:0] bits in the PRCCU\_PLLCR register.

**Table 2. SLOW mode selection**

MCLK	CSU_CKSEL <sup>1)</sup>	CK2_16 <sup>2)</sup>	FREEN <sup>3)</sup>
CLK2	0	1	0
CLK2/16	x	0	0
Free running PLL	1	1	1

Note: 1 CSU\_CKSEL is bit 0 in register PRCCU\_CFR.

2 CK2\_16 is bit 3 in register PRCCU\_CFR

- 3 *FREEN is bit 7 in register PRCCU\_PLLCR, in the same register the DX(2:0) must be all sets in order to provide the PLL slow frequency.*

### 3.2.2 WFI mode

To enter WFI mode, you must clear the WFI bit in the PRCCU\_SMR register.

To wakeup from WFI mode an interrupt request must be acknowledged by the EIC.

### 3.2.3 LPWFI mode

To enter LPWFI mode you have to:

1. Select the clock which will be used by peripherals during LPWFI: RC or external oscillator with the CMU (CKSEL0 bit in the CMU\_CTRL register), this clock can be set as running low (with RCFR bit in CMU\_CTRL register)
2. During the LPWFI, the clock used will be divided by 16: CLK2/16 (WFI\_CKSEL bit of the PRCCU\_CCR register)
3. Select LPWFI mode by setting the LPOWFI bit in the PRCCU\_CCR register.
4. Write 0 in the WFI bit of the PRCCU\_SMR register to enter LPWFI mode

Like WFI mode, to wakeup from LPWFI mode an interrupt request must be acknowledged by the EIC.

To further reduce MCU power consumption in LPWFI mode you can:

- Stop the Main voltage regulator (MVR) by setting bit VRLPW in the PRCCU\_VRCTR register.
- In LPWFI, the FLASH module should enter Power Down mode by setting the LPS bit of FLASH CR0 register status.

*Note: 1 After exit from LPWFI mode, the Flash and the main voltage regulator are re-enabled automatically if they were switched off during the low power mode.*

- 2 After wakeup, the original MCLK clock configuration must be restored by software.*

### 3.2.4 STOP mode

To enter STOP mode you have to:

1. Configure at least one external wake-up line or WUT to wake-up the MCU from STOP mode. (Refer to the WIU & WUT section in the STR73x reference manual)
2. Reset the STOP bit in register WIU\_CTRL and the STOP\_I bit in the PRCCU\_CFR register.
3. To enter STOP mode, write the sequence 1, 0, 1 to the STOP bit in the WIU\_CTRL register.
4. In order to avoid executing any valid instructions after a STOP bit setting sequence and before entering STOP mode, it is mandatory to execute a few (at least 6) dummy instructions after the STOP bit setting sequence.
5. To be sure that STOP mode was really entered, immediately after the end of the STOP bit setting sequence (including the dummy instructions), poll the PRCCU STOP\_I flag bit and the STOP bit (WIU\_CTRL register). If the STOP bit setting sequence has been correctly executed, these bits must be STOP\_I = 1 and STOP = 0. If it is not the case you must restart all the sequence from the beginning.
6. When exiting STOP mode, clear the pending wake up interrupt line (WIU\_PR register).

7. On wake-up from STOP mode, the CMU automatically selects the 2MHz RC-Oscillator clock as input clock to the PRCCU.

To further reduce power consumption during STOP mode, it is possible to:

- Disable the main voltage regulator by writing '1' in bit VRLPW in the PRCCU\_VRCTR register.
- Minimize the low power voltage regulator current capability by setting the bit 0 and 1 of the system configuration register 1 (LPVRCC(1:0)).

*Note:* After exit from STOP mode, the Flash and the main voltage regulator are re-enabled automatically if they were switched off during the STOP mode

### 3.2.5 HALT mode

The HALT sequence is initiated with the following procedure:

- set the EN\_HALT bit in the PRCCU\_SMR and clear the SRESEN bit in the PRCCU\_CCR
- then set the HALT bit in the PRCCU\_CCR.

**Caution:** Wake-up from HALT mode is only possible by means of an external or LVD reset.

*Note:* Minimize the low power voltage regulator current capability by setting the bit 0 and 1 of the system configuration register 1 (LPVRCC(1:0)).

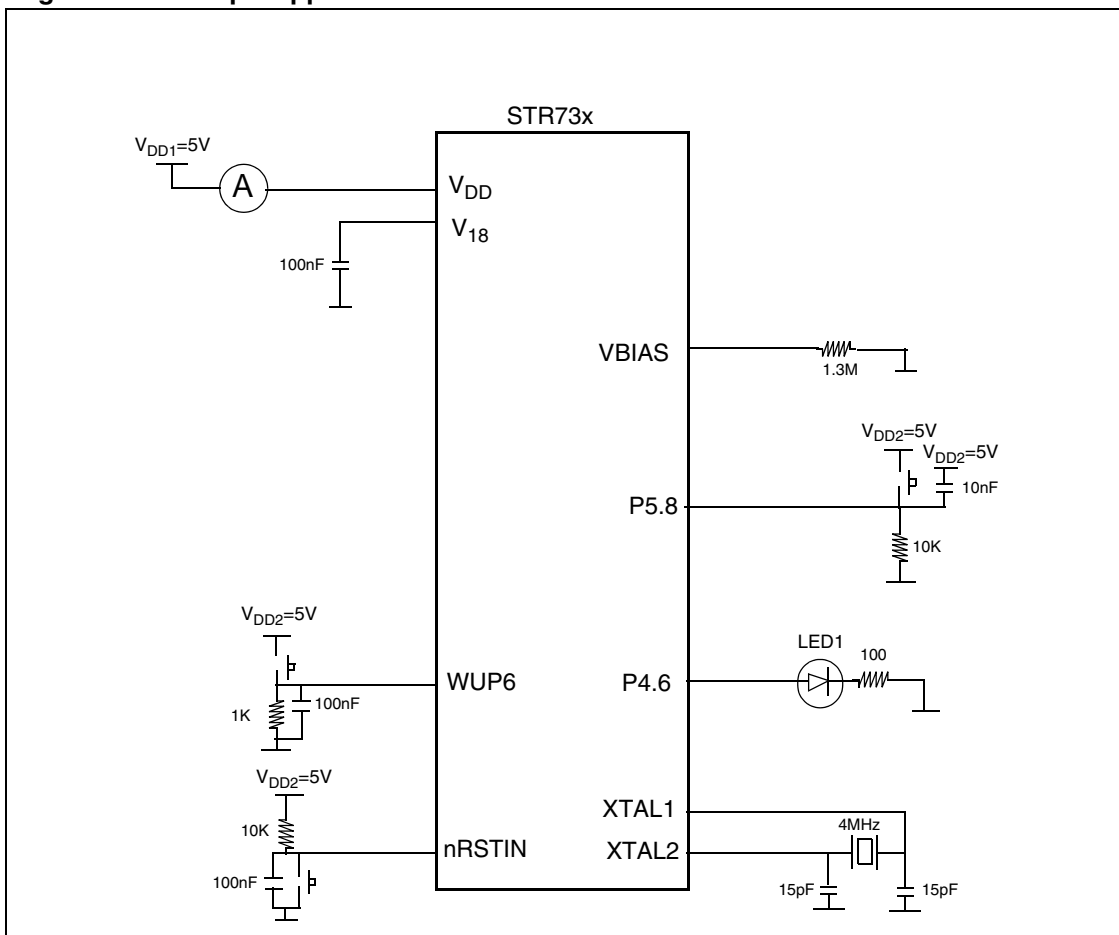


## 4 Example application

### 4.1 Example hardware

Figure 4 shows an example schematic for using the STR73x power management features.

Figure 4. Example application schematic



- Note:
- 1 WUP6 is configured as an external interrupt pin, it is used to wake up the MCU from WFI, LPWFI or STOP mode.
  - 2 P4.6 is used to indicate that the core is running (GPIO toggling) during RUN/SLOW modes.
  - 3 P5.8 is used to enter HALT or SLOW modes. It is used also to exit from SLOW\_RC mode.

### 4.2 Example software

A program is provided with this application note for using the different low power modes, it includes the following source files:

**Table 3. Software files**

File	Description
<i>main.c</i>	Example software for using different low power modes
<i>73x_it.c</i>	Interrupt service routines

The following routines are implemented in the *main.c* file:

**Table 4. Low power Mode routines**

Modes	Mode configuration/ Options during the selected low power mode
RUN_Mode	- RC oscillator off, RTC on, TIM3 on and flash on.
RUN_ALLON_Mode	- ALL peripheral on.
SLOW_Mode	- CLK2, CLK2_16 or free running PLL selectable
SLOW_RC_Mode	- CLK (CLK2 with div2 disabled)
WFI_Mode	- Value of MCLK can be modified
LPWFI_Mode	- Main Voltage Regulator (MVR) stopped (software selectable) - Flash in power down or in low power (software selectable) - WUP6 pin configured as external rising edge interrupt
LPWFI_RC_Mode	- RC running high clock is used (software selectable) - Main Voltage Regulator (MVR) stopped (software selectable) - Flash in power down or in low power (software selectable) - WUP6 pin configured as external rising edge interrupt
STOP_Mode	- Flash in power down - Main Voltage Regulator (MVR) stopped (software selectable) - Wakeup by WUP6 pin configured as rising edge wakeup
STOP_WUT_Mode	- Flash in power down - Main Voltage Regulator (MVR) stopped (software selectable) - Wakeup by the WUT configured as rising edge. Wakeup after 10 second delay
HALT_Mode	- Device halted.

*Note:* To select a low power mode, you have to uncomment the corresponding define code '#define xxx\_Mode and rebuild the main.c file.

### 4.3 Power consumption measurements

All consumption measurements are listed in the STR73x datasheet.

## 5 Revision history

Date	Revision	Changes
05-Jan-2006	1	Initial release
12-09-2006	2	<i>Figure 4 on page 9: Example application schematic updated.</i> <i>Section 3.2.1 on page 6: SLOW mode updated.</i> <i>Section 3.2.4 on page 7: STOP mode updated.</i> <i>Table 4 on page 10: Low power Mode routines updated.</i>

**Please Read Carefully:**

Information in this document is provided solely in connection with ST products. STMicroelectronics NV and its subsidiaries ("ST") reserve the right to make changes, corrections, modifications or improvements, to this document, and the products and services described herein at any time, without notice.

All ST products are sold pursuant to ST's terms and conditions of sale.

Purchasers are solely responsible for the choice, selection and use of the ST products and services described herein, and ST assumes no liability whatsoever relating to the choice, selection or use of the ST products and services described herein.

No license, express or implied, by estoppel or otherwise, to any intellectual property rights is granted under this document. If any part of this document refers to any third party products or services it shall not be deemed a license grant by ST for the use of such third party products or services, or any intellectual property contained therein or considered as a warranty covering the use in any manner whatsoever of such third party products or services or any intellectual property contained therein.

**UNLESS OTHERWISE SET FORTH IN ST'S TERMS AND CONDITIONS OF SALE ST DISCLAIMS ANY EXPRESS OR IMPLIED WARRANTY WITH RESPECT TO THE USE AND/OR SALE OF ST PRODUCTS INCLUDING WITHOUT LIMITATION IMPLIED WARRANTIES OF MERCHANTABILITY, FITNESS FOR A PARTICULAR PURPOSE (AND THEIR EQUIVALENTS UNDER THE LAWS OF ANY JURISDICTION), OR INFRINGEMENT OF ANY PATENT, COPYRIGHT OR OTHER INTELLECTUAL PROPERTY RIGHT.**

**UNLESS EXPRESSLY APPROVED IN WRITING BY AN AUTHORIZED ST REPRESENTATIVE, ST PRODUCTS ARE NOT RECOMMENDED, AUTHORIZED OR WARRANTED FOR USE IN MILITARY, AIR CRAFT, SPACE, LIFE SAVING, OR LIFE SUSTAINING APPLICATIONS, NOR IN PRODUCTS OR SYSTEMS WHERE FAILURE OR MALFUNCTION MAY RESULT IN PERSONAL INJURY, DEATH, OR SEVERE PROPERTY OR ENVIRONMENTAL DAMAGE. ST PRODUCTS WHICH ARE NOT SPECIFIED AS "AUTOMOTIVE GRADE" MAY ONLY BE USED IN AUTOMOTIVE APPLICATIONS AT USER'S OWN RISK.**

Resale of ST products with provisions different from the statements and/or technical features set forth in this document shall immediately void any warranty granted by ST for the ST product or service described herein and shall not create or extend in any manner whatsoever, any liability of ST.

ST and the ST logo are trademarks or registered trademarks of ST in various countries.

Information in this document supersedes and replaces all information previously supplied.

The ST logo is a registered trademark of STMicroelectronics. All other names are the property of their respective owners.

© 2006 STMicroelectronics - All rights reserved

STMicroelectronics group of companies

Australia - Belgium - Brazil - Canada - China - Czech Republic - Finland - France - Germany - Hong Kong - India - Israel - Italy - Japan - Malaysia - Malta - Morocco - Singapore - Spain - Sweden - Switzerland - United Kingdom - United States of America

[www.st.com](http://www.st.com)