

---

**Migration of microcontroller applications from STM32F7 Series  
to STM32H743/753 line**

---

**Introduction**

Designers of STM32 microcontroller applications must be able to easily replace one microcontroller type with another one from the same product family, or products from a different family. The reasons for migrating an application to a different microcontroller can be for example:

- To fulfill extended product requirements, extra demands on memory size, or an increased number of I/Os.
- To meet cost reduction constraints that require a switch to smaller components and a shrunk PCB area.

This application note analyzes the steps required to migrate from an existing STM32F7 Series to a design based on an STM32H743/753 line device.

This application note provides a guideline on both hardware and peripheral migration. To better understand the information inside this application note, the user should be familiar with the STM32 microcontroller family.

For additional information, refer to the following documents available on [www.st.com](http://www.st.com):

- *STM32F75xxx and STM32F74xxx advanced ARM<sup>®</sup>-based 32-bit MCUs* reference manual (RM0385)
- *STM32F76xxx and STM32F77xxx advanced ARM<sup>®</sup>-based 32-bit MCUs* reference manual (RM0410)
- *STM32H742, STM32H743/753 and STM32H750 Value line advanced ARM<sup>®</sup>-based 32-bit MCUs* reference manual (RM0433)

# Contents

- 1 STM32H743/753 line device overview . . . . . 6**
  - 1.1 System architecture differences between STM32F7 Series and STM32H743/753 line devices . . . . . 6
- 2 Hardware migration . . . . . 9**
  - 2.1 Available packages . . . . . 9
  - 2.2 Pinout compatibility . . . . . 9
  - 2.3 System bootloader . . . . . 10
- 3 Boot mode compatibility . . . . . 11**
- 4 Peripheral migration . . . . . 12**
  - 4.1 STM32 product cross-compatibility . . . . . 12
  - 4.2 Memory organization . . . . . 16
    - 4.2.1 RAM size . . . . . 16
    - 4.2.2 Memory map and peripherals register boundary addresses . . . . . 16
    - 4.2.3 Peripheral register boundary addresses . . . . . 18
  - 4.3 FLASH memory . . . . . 18
  - 4.4 NVIC . . . . . 20
  - 4.5 EXTI . . . . . 22
    - 4.5.1 EXTI main features in STM32H743/753 line . . . . . 22
    - 4.5.2 EXTI block diagram in STM32H743/753 line . . . . . 23
  - 4.6 Reset and clock control . . . . . 26
    - 4.6.1 Clock management . . . . . 26
    - 4.6.2 Peripheral clock distribution . . . . . 26
  - 4.7 Operating conditions . . . . . 28
- 5 PWR . . . . . 29**
- 6 System configuration controller . . . . . 30**
- 7 SDMMC . . . . . 31**
- 8 U(S)ART . . . . . 32**



---

<b>9</b>	<b>SPI</b> .....	<b>33</b>
<b>10</b>	<b>I2S</b> .....	<b>35</b>
<b>11</b>	<b>FMC</b> .....	<b>36</b>
<b>12</b>	<b>ADC</b> .....	<b>38</b>
<b>13</b>	<b>DAC</b> .....	<b>41</b>
<b>14</b>	<b>USB OTG</b> .....	<b>42</b>
<b>15</b>	<b>Ethernet</b> .....	<b>43</b>
<b>16</b>	<b>Digital filter for sigma delta modulators (DFSDM)</b> .....	<b>44</b>
<b>17</b>	<b>Conclusion</b> .....	<b>46</b>
<b>18</b>	<b>Revision history</b> .....	<b>47</b>

## List of tables

Table 1.	Available bus matrix on STM32F7 Series and STM32H743/753 line devices . . . . .	7
Table 2.	Available packages on STM32F7 Series and STM32H743/753 line devices . . . . .	9
Table 3.	BYPASS_REG pin incompatibility in LQFP176 and UFBGA176 packages . . . . .	9
Table 4.	STM32F7 Series and STM32H743/753 line bootloader communication peripherals . . . . .	10
Table 5.	Boot mode compatibility between STM32F7 Series and STM32H743/753 line devices . .	11
Table 6.	Peripheral summary of STM32F7 Series and STM32H743/753 line devices . . . . .	12
Table 7.	Comparison of RAM size between STM32F7 Series and STM32H743/753 line devices. .	16
Table 8.	Memory organization and compatibility between STM32F7 Series and STM32H743/753 line devices . . . . .	16
Table 9.	Examples of peripheral address mapping differences between STM32F7 Series and STM32H743/753 line devices . . . . .	18
Table 10.	Flash memory differences between STM32F7 Series and STM32H743/753 line devices. .	18
Table 11.	Interrupt vector differences between STM32F7 Series and STM32H743/753 line devices	20
Table 12.	EXTI event input types differences between STM32F7 Series and STM32H743/753 line devices . . . . .	22
Table 13.	EXTI line differences between STM32F7 Series and STM32H743/753 line devices. . . . .	23
Table 14.	Different source clock in STM32F7 Series and STM32H743/753 line devices. . . . .	26
Table 15.	Peripheral clock distribution example . . . . .	27
Table 16.	General operating conditions for STM32F7 Series and STM32H743/753 line devices . .	28
Table 17.	PWR controller differences between STM32F7 Series and STM32H743/753 line devices	29
Table 18.	SYSCFG main features differences between STM32F7 Series and STM32H743/753 line devices. . . . .	30
Table 19.	SDMMC differences between STM32F7 Series and STM32H743/753 line devices . . . . .	31
Table 20.	U(S)ART differences between STM32F7 Series and STM32H743/753 line devices. . . . .	32
Table 21.	SPI differences between STM32F7 Series and STM32H743/753 line devices . . . . .	33
Table 22.	I2S differences between STM32F7 Series and STM32H743/753 line devices . . . . .	35
Table 23.	FMC differences between STM32F7 Series and STM32H743/753 line devices . . . . .	36
Table 24.	ADC differences between STM32F7 Series and STM32H743/753 line devices . . . . .	38
Table 25.	External trigger for regular channel differences between STM32F7 Series and STM32H743/753 line devices . . . . .	39
Table 26.	External trigger for injected channel differences between STM32F7 Series and STM32H743/753 line devices . . . . .	40
Table 27.	DAC differences between STM32F7 Series and STM32H743/753 line devices . . . . .	41
Table 28.	USB OTG_HS differences between STM32F7 Series and STM32H743/753 line devices.	42
Table 29.	Ethernet differences between STM32F7 Series and STM32H743/753 line devices . . . . .	43
Table 30.	DFSDM differences between STM32F76xxx and STM32F77xxx devices and STM32H743/753 line devices. . . . .	44
Table 31.	DFSDM internal signal differences between STM32F76xxx and STM32F77xxx devices and STM32H743/753 line devices. . . . .	44
Table 32.	DFSDM trigger connection differences between STM32F76xxx and STM32F77xxx devices and STM32H743/753 line devices. . . . .	45
Table 33.	DFSDM break connection differences between STM32F76xxx and STM32F77xxx devices and STM32H743/753 line devices. . . . .	45
Table 34.	Document revision history . . . . .	47

## List of figures

Figure 1.	STM32F7 Series system architecture . . . . .	7
Figure 2.	STM32H743/753 line system architecture . . . . .	8
Figure 3.	System supply configuration on STM32H743/753 line devices . . . . .	10
Figure 4.	RAM memory organization of STM32F7 Series and STM32H743/753 line devices . . . . .	17
Figure 5.	EXTI block diagram on STM32H743/753 line devices . . . . .	23
Figure 6.	Peripheral clock distribution on STM32H743/753 line devices . . . . .	27
Figure 7.	FMC bank address mapping on STM32H743/753 line devices . . . . .	37

# 1 STM32H743/753 line device overview

Taking advantage of an L1-cache, the STM32H743/753 line devices deliver the maximum theoretical performance of the Cortex-M7 core, regardless if the code is executed from the embedded Flash or external memory: 2010 CoreMark / 856 DMIPS at 400 MHz  $f_{CPU}$ .

The STM32H743/753 line devices are offering to the customers some extra performance versus the STM32F7 Series devices without additional complexity.

The STM32H743/753 line devices, as Cortex-M7 variants, are compatible (for the common packages) with the STM32F7 Series devices. This compatibility allows to customers to straightforward use a similar device to the STM32F7 Series and to benefit from the significantly higher performance of the STM32H743/753 line devices and advanced peripherals.

The STM32H743/753 line devices are also the entry point of the wider STM32H7 Series, which can be seen as an easy stepladder to benefit from the high performance, the rich connectivity and the enhanced features of this advanced platform.

The STM32H743/753 line devices include a larger set of peripherals with advanced features and optimized power consumption compared to the STM32F7 series:

- High-Resolution Timer (HRTIM)
- Low-Power Universal Asynchronous Receiver Transmitter (LPUART)
- Single Wire Protocol Master Interface (SWPMI)
- FD Controller Area Network (FDCAN)
- Operational amplifiers (OPAMP)
- Ultra-low-power
- Comparator (COMP)
- Voltage reference buffer (VREFBUF)

This migration guide is only covering the migration from the STM32F7 Series to STM32H743/753 line. As a consequence the new features present on the STM32H743/753 line devices but not already present on the STM32F7 Series devices are not covered in this document (refer to the *STM32H743/753* reference manual and datasheets for more details).

## 1.1 System architecture differences between STM32F7 Series and STM32H743/753 line devices

One single domain is available in the STM32F7 Series devices which embed an AHB bus matrix while in the STM32H743/753 line devices there are 3 domains: an AXI bus matrix, two AHB bus matrices and bus bridges allow interconnecting the bus masters with the bus slaves:

- **D1 domain:** is the high bandwidth / high performance domain with the Cortex-M7 core and acceleration mechanisms. This domain encompasses the high bandwidth features and smart management thanks to the AXI bus matrix.
- **D2 domain:** is the “I/O processing” domain. It encompasses most peripherals that are less bandwidth demanding.
- **D3 domain:** is designed to manage the low-power mode (embeds the system configuration block to keep the system state, the GPIO status). This domain is

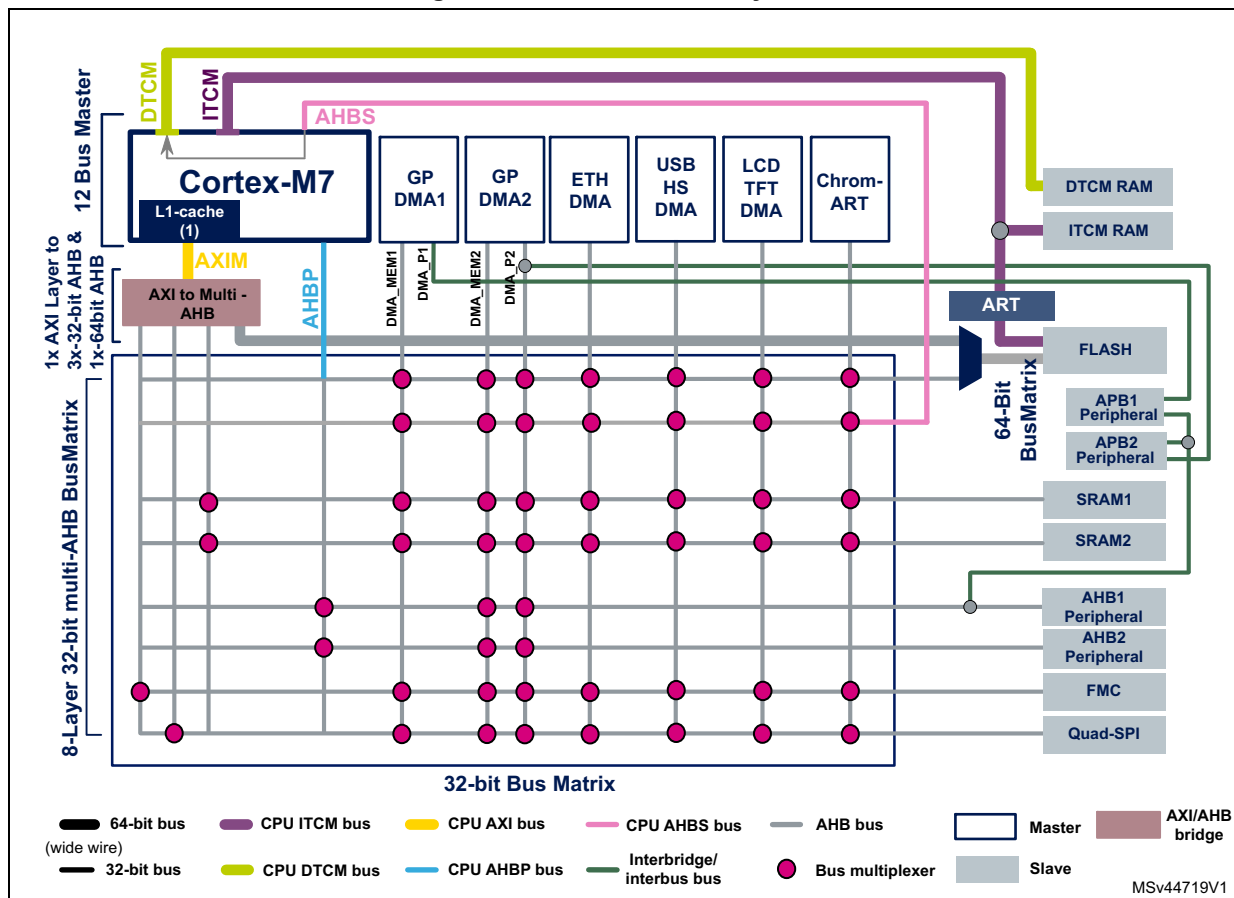
designed to be autonomous: it embeds 64-Kbyte RAM and has a subset of peripheral to run the basic functions while the domains 1 and 2 can be shut-off to save power.

Table 1, Figure 1 and Figure 2 illustrate the system architecture differences between the STM32F7 Series and the STM32H743/753 line devices.

Table 1. Available bus matrix on STM32F7 Series and STM32H743/753 line devices

Device	AHB bus matrix	AXI bus matrix
STM32F7 Series	1	NA
STM32H743/753 line	2	1

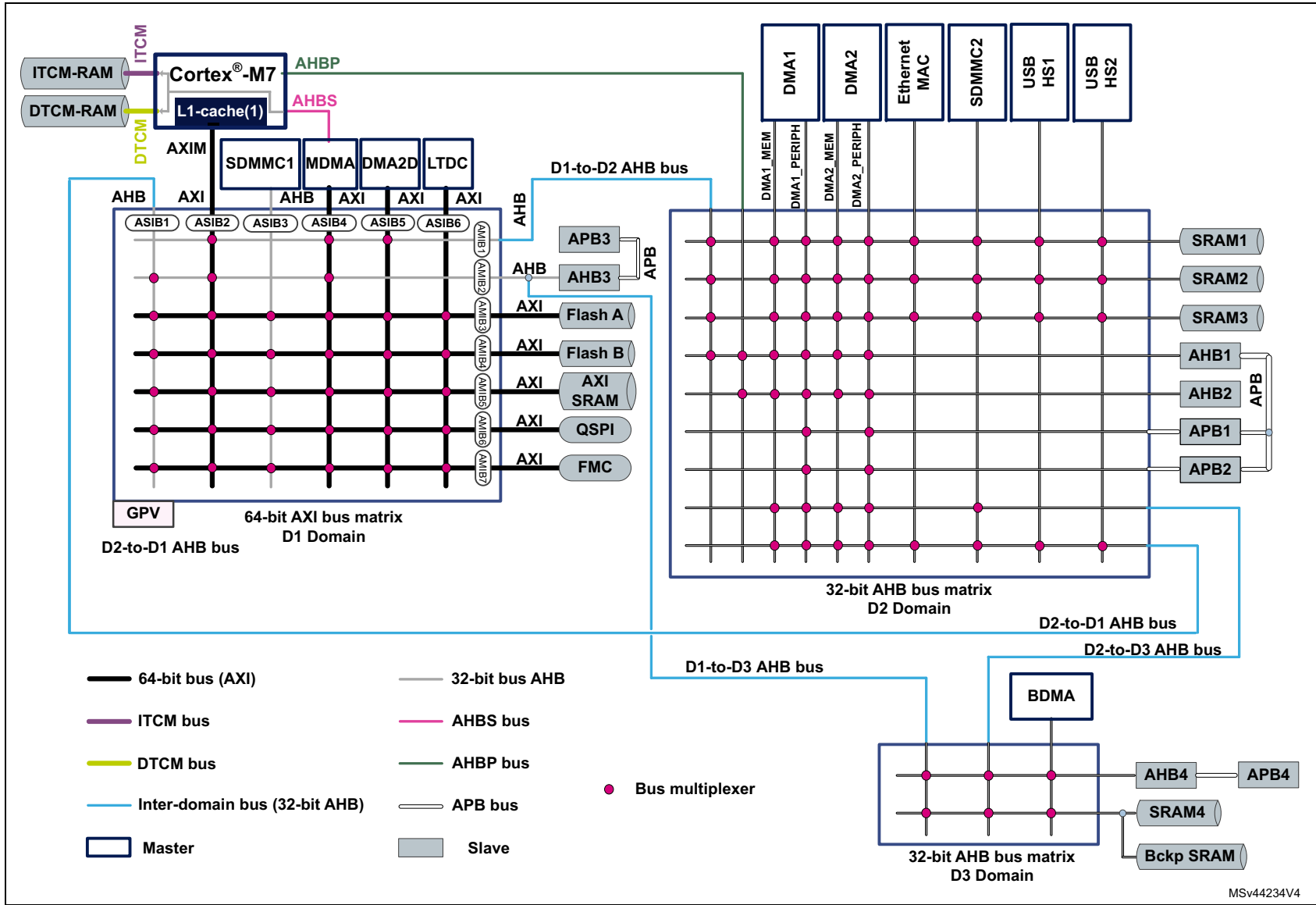
Figure 1. STM32F7 Series system architecture



- I/D cache size:
  - For STM32F74xxx and STM32F75xxx devices: 4 Kbytes.
  - For STM32F72xxx and STM32F73xxx devices: 8 Kbytes.
  - For STM32F76xxx and STM32F77xxx devices: 16 Kbytes.



Figure 2. STM32H743/753 line system architecture



1. I/D cache size: For the STM32H743/753 line devices: 16 Kbytes.



## 2 Hardware migration

### 2.1 Available packages

The available packages on the STM32F7 Series and STM32H743/753 line devices are listed in [Table 2](#).

**Table 2. Available packages on STM32F7 Series and STM32H743/753 line devices <sup>(1)</sup>**

Package	STM32F7 Series	STM32H743/753 line
LQFP64	X	NA
LQFP100		X
TFBGA100		NA
WLCSP143		NA
LQFP144		X
UFBGA176		X
LQFP176		X
LQFP208		X
TFBGA216		NA
TFBGA240		NA

1. X = available.

### 2.2 Pinout compatibility

The STM32F7 Series devices are pin to pin compatible with the STM32H743/753 line devices except for the BYPASS\_REG pin in LQFP176 and UFBGA176 packages which is no longer available on the STM32H743/753 line devices.

On the STM32H743/753 line devices, the BYPASS\_REG pin is connected to VSS and the regulator bypass mode is managed by software with the LDOEN and BYPASS bits located in the PWR\_CR3 register.

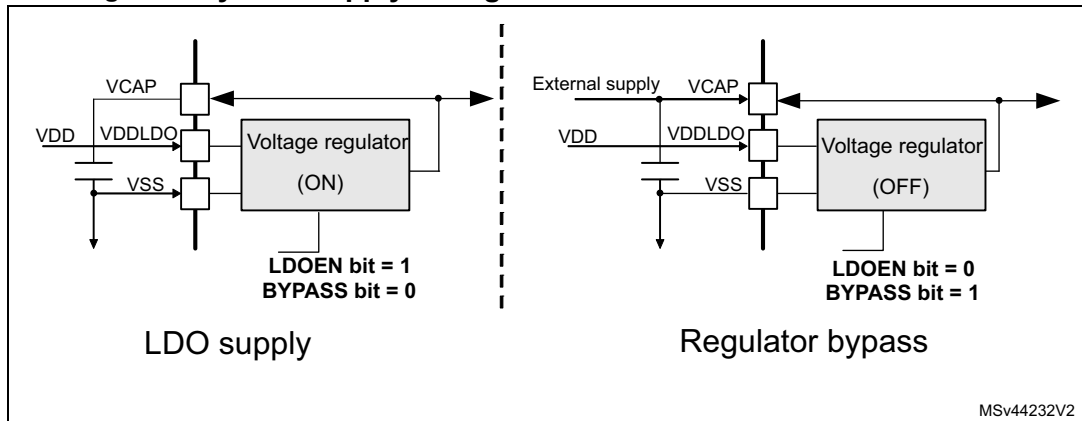
At system startup, the MCU starts under LDO then the user can switch to the regulator bypass mode by modifying the LDOEN and bypass bits with the software.

[Table 3](#) and [Figure 1](#) illustrate the BYPASS\_REG pin incompatibility in LQFP176 and UFBGA176 packages and the system supply configuration on the STM32H743/753 line devices.

**Table 3. BYPASS\_REG pin incompatibility in LQFP176 and UFBGA176 packages**

Package	Pin/ball	STM32F7 Series	STM32H743/753 line	Comment
LQFP176	Pin 48	BYPASS_REG	VSS	Impacts only the boards designed with STM32F7 Series in the regulator bypass mode
UFBGA176+25	Ball L4			

Figure 3. System supply configuration on STM32H743/753 line devices



### 2.3 System bootloader

The system bootloader is located in the system memory, programmed by ST during production. It is used to reprogram the Flash memory using one of the following serial interfaces.

Table 4 shows the supported communication peripherals by the system bootloader.

Table 4. STM32F7 Series and STM32H743/753 line bootloader communication peripherals

System bootloader peripherals	STM32F7 Series I/O pin	STM32H743/753 line I/O pin
DFU	USB OTG_FS (PA11 / PA12) in the device mode	
USART1	PA9 / PA10	PA9 / PA10 PB14 / PB15
USART 2	NA	PA2 / PA3
USART3	PB10 / PB11 PC10 / PC11	PB10 / PB11
I2C1	PB6 / PB9	
I2C2	PF0 / PF1	
I2C3	PA8 / PC9	
SPI1	PA7 / PA6 / PA5 / PA4	
SPI2	PI3 / PI2 / PI1 / PI0	
SPI3	NA	PC12 / PC11/ PC10 / PA15
SPI4	PE14 / PE13 / PE12 / PE11	
CANx	PB5 / PB13 <sup>(1)</sup> PD0 / PD1 <sup>(2)</sup>	NA

1. Available on the STM32F74xxx/75xxx and STM32F76xxx/77xxx devices.

2. Available on the STM32F2xxx/73xxx devices.

### 3 Boot mode compatibility

The STM32F7 Series and the STM32H743/753 line boot space are based on BOOT0 and boot address option bytes as described in [Table 5](#).

For the STM32F7 Series the boot base address supports any address in the range from 0x0000 0000 to 0x3FFF FFFF while in the STM32H743/753 line the boot base address supports any address in the range from 0x0000 0000 to 0x3FFF 0000.

**Table 5. Boot mode compatibility between STM32F7 Series and STM32H743/753 line devices**

Boot mode selection		STM32F7 Series	STM32H743/753 line
BOOT	Boot address option bytes		
0	BOOT_ADD0[15:0]	Boot address defined by user option byte BOOT_ADD0[15:0] ST programmed value: Flash on ITCM at 0x0020 0000	Boot address defined by user option byte BOOT_ADD0[15:0] ST programmed value: Flash memory at 0x0800 0000
1	BOOT_ADD1[15:0]	Boot address defined by user option byte BOOT_ADD1[15:0] ST programmed value: System bootloader at 0x0010 0000	Boot address defined by user option byte BOOT_ADD1[15:0] ST programmed value: System bootloader at 0x1FF0 0000

## 4 Peripheral migration

### 4.1 STM32 product cross-compatibility

The STM32 series embed a set of peripherals which can be classed in three categories:

- The first category is for the peripherals which are by definition common to all products. Those peripherals are identical, so they have the same structure, registers and control bits. There is no need to perform any firmware change to keep the same functionality at the application level after migration. All the features and behavior remain the same.
- The second category is for the peripherals which are shared by all STM32 products but have only minor differences (in general to support new features), so the migration from one product to another is very easy and does not need any significant new development effort.
- The third category is for peripherals which have been considerably changed from one product to another (new architecture, new features...). For this category of peripherals, the migration will require a new development at application level.
- The software compatibility mentioned in the [Table 6](#) only refers to the register description for low-level drivers.

The Cube Hardware Abstraction Layer (HAL) is compatible between the STM32F7 Series and the STM32H743/753 line devices.

[Table 6](#) shows the STM32 peripheral compatibility between the STM32F7 Series and the STM32H743/753 line devices.

**Table 6. Peripheral summary of STM32F7 Series and STM32H743/753 line devices**

		STM32F7 Series	STM32H743/753 line	Compatibility
				Comments
Power supply		<ul style="list-style-type: none"> <li>– Power supply for I/Os 1.71 to 3.6 V</li> <li>– Internal regulator VDD = 1.7 to 3.6 V</li> </ul>	<ul style="list-style-type: none"> <li>– Power supply for I/Os 1.62 to 3.6 V</li> <li>– Internal regulator VDDLDO = 1.62 to 3.6 V</li> </ul>	More power supply supervision added
Maximum frequency		216 MHz	400 MHz	-
MPU region number		8	16	-
Flash		2 Mbytes		-
		<ul style="list-style-type: none"> <li>– Single Bank</li> <li>– Dual Bank</li> </ul>	<ul style="list-style-type: none"> <li>– Dual Bank</li> </ul>	<ul style="list-style-type: none"> <li>– Mapped on AXI bus</li> <li>– With ECC protection in STM32H743/753 line</li> </ul>
SRAM	System	512 Kbytes	~1 Mbyte (992 Kbytes)	With ECC protection in STM32H743/753 line
	Instruction	16 Kbytes	64 Kbytes	
	Backup	4 Kbytes		

Table 6. Peripheral summary of STM32F7 Series and STM32H743/753 line devices (continued)

		STM32F7 Series	STM32H743/753 line	Compatibility
				Comments
Common Peripherals	FMC	Yes		Mapped on AXI bus
	QSPI	Yes		Mapped on AXI bus
	Ethernet	Yes		Wakeup from stop capability
Timers	High resolution	NA	1	New feature
	General purpose	10		-
	PWM	2		-
	Basic	2		-
	Low-power	1	5	Wakeup from stop capability
RNG		Yes		-

Table 6. Peripheral summary of STM32F7 Series and STM32H743/753 line devices (continued)

		STM32F7 Series	STM32H743/753 line	Compatibility
				Comments
Communication interfaces	SPI/I <sup>2</sup> S	4/3 (simplex)	6/3(simplex)	Wakeup from stop capability in STM32H743/753 line
	I2C	4		Wakeup from stop capability in STM32H743/753 line
	USART/UART	4/4		– New synchronous slave mode, Tx and Rx FIFOs – Wakeup from stop capability in STM32H743/753 line
	LPUART	NA	1	New feature
	SAI	2	4	PDM interface, supporting up to 8 microphones in STM32H743/753 line
	SPDIFRX	4 inputs		-
	SWPMI	NA	Yes	New feature
	MDIO	Yes		Wakeup from stop capability
	SDMMC	Yes		– With DMA capability – Wakeup from stop – eMMC boot support
	CAN	3 × CANs (2.0B Active)	2x CAN FD (FDCAN1 supports TTCAN)	New feature
	USB OTG_FS	Yes		With DMA capability
	USB OTG_HS	Yes		-
	HDMI-CEC	Yes		Wakeup from stop capability
	DFSDM	Yes		-
Digital camera interface		Yes		-
MIPI-DSI Host		Yes	No	-
Graphics	LCD-TFT	Yes		-
	Chrom-ART Accelerator (DMA2D)	Yes		YCbCr to RGB color space conversion on STM32H743/753 line
	JPEG Codec	Yes		-
GPIOs		Up to 168 I/O ports with interrupt capability		-

Table 6. Peripheral summary of STM32F7 Series and STM32H743/753 line devices (continued)

		STM32F7 Series	STM32H743/753 line	Compatibility
				Comments
Analog peripherals	ADC	Power supply: 1.7 V to 3.6 V X3 (8 to 12-bit) Number of channels: up to 24	Power supply: 1.62 V to 3.6 V X3 (8 to 16-bit) Number of channels: 20	– VREF+ is provided from the internal VREFBUF.
	12-bit DAC	Yes		
	Operational amplifiers	NA	2	New feature
	Ultra-low-power comparator	NA	2	New feature
DMA	General-purpose DMA: 16-stream DMA controller with FIFOs and burst support	4 DMA controllers to unload the CPU – 1x high-speed general-purpose master direct memory access controller (MDMA) – 2x dual-port DMAs with FIFO and request router capabilities for optimal peripheral management – 1 basic DMA with request router capabilities	– No limitation for peripheral requests thanks to DMAMUX. – DMA1 can access to peripherals in APB1/APB2 buses. – Peripheral request mapping is no more managed by the DMA controller but by the DMAMUX controller	
Crypto-graphic acceleration	– AES 128, 192, 256, DES/TDES – HASH (MD5, SHA-1, SHA-2), HMAC – True random number generator		32-bit true random numbers, produced by an analog entropy source conditioned with block cipher AES-CBC.	
Security	ROP, active tamper	ROP, PC-ROP, active tamper	-	

## 4.2 Memory organization

### 4.2.1 RAM size

[Table 7](#) illustrates the difference of RAM size between the STM32F7 Series and STM32H743/753 line devices.

**Table 7. Comparison of RAM size between STM32F7 Series and STM32H743/753 line devices**

Memory	STM32F7 Series	STM32H743/753 line	Unit
ITCM-RAM	16	64	Kbyte
DTCM-RAM	128	128	
AXI-SRAM	-	512	
SRAM1	368	128	
SRAM2	16	128	
SRAM3	NA	32	
SRAM4	NA	64	
Backup SRAM	4	4	
Total	532	1060	

### 4.2.2 Memory map and peripherals register boundary addresses

[Table 8](#) and [Figure 4](#) give a comparison of the memory addresses between the STM32F7 Series and STM32H743/753 line devices.

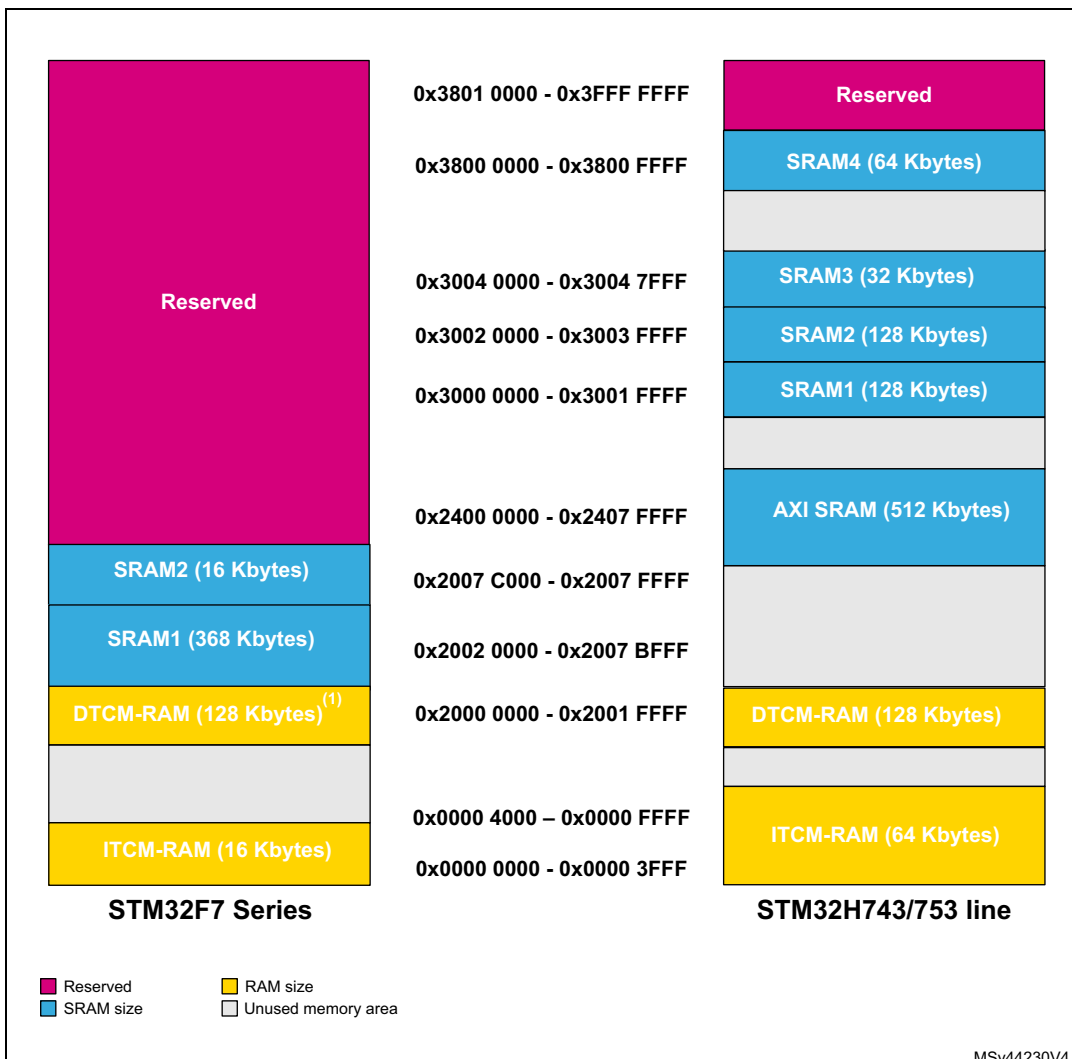
**Table 8. Memory organization and compatibility between STM32F7 Series and STM32H743/753 line devices <sup>(1)</sup>**

Memory	STM32F7 Series	STM32H743/753 line	Compatibility
ITCM-RAM	0x0000 0000 – 0x0000 3FFF	0x0000 0000 – 0x0000 FFFF	X
DTCM-RAM	0x2000 0000 – 0x2001 FFFF	0x2000 0000 – 0x2001 FFFF	X
FLASH	Flash - AXI 0x0800 0000 – 0x081F FFFF	Flash A 0x0800 0000 – 0x080F FFFF Flash B 0x0810 0000 – 0x081F FFFF	X
	Flash - ITCM 0x0020 0000 – 0x002F FFFF	NA	-
System memory	0x1FF0 0000 – 0x1FF0 EDBF	Bank 1 0x1FF0 0000 – 0x1FF1 FFFF Bank 2 0x1FF4 0000 – 0x1FF5 FFFF	-
	0x0010 0000 – 0x0010 EDBF	NA	-

1. X = compatible.



Figure 4. RAM memory organization of STM32F7 Series and STM32H743/753 line devices



MSv44230V4

1. DTCM-RAM size:  
 - 128 Kbytes for the STM32F76xxx and STM32F77xxx devices.  
 - 64 Kbytes for the STM32F75xxx and STM32F74xxx devices.

### 4.2.3 Peripheral register boundary addresses

The peripheral address mapping has been changed for most of peripherals in the STM32H743/753 line versus the STM32F7 series.

[Table 9](#) shows an example of some peripherals address mapping changed in STM32H743/753 line devices.

For more details about registers boundary addresses differences refer to *Memory map and register boundary addresses* section of RM0410, RM0385 and RM0433 reference manuals.

**Table 9. Examples of peripheral address mapping differences between STM32F7 Series and STM32H743/753 line devices**

Peripheral	STM32F7 Series		STM32H743/753 line	
	Bus	Base address	Bus	Base address
QUADSPI control	AHB3	0xA000 1000 - 0xA0001FFF	AHB3	0x52005000 - 0x52005FFF
CRC	AHB1	0x4002 3000 - 0x4002 33FF	AHB4(D3)	0x58024C00 - 0x58024FFF
GPIOA		0x4002 0000 - 0x4002 03FF		0x58020000 - 0x580203FF
RCC		0x4002 3800 - 0x4002 3BFF		0x58024400 - 0x580247FF

## 4.3 FLASH memory

[Table 10](#) presents the differences between the Flash memory interface of STM32F7 Series and STM32H743/753 line.

The STM32H743/753 line devices instantiate a different Flash module both in terms of architecture and interface. For more information on programming, erasing and protection of the STM32H743/753 Flash memory, refer to *STM32H742, STM32H743/753 and STM32H750 Value line advanced ARM®-based 32-bit MCUs* reference manual (RM0433).

**Table 10. Flash memory differences between STM32F7 Series and STM32H743/753 line devices**

Flash	STM32F7 Series	STM32H743/753 line
Mapping	AHB	AXI
FLASH address	<b>STM32F76xxx/STM32F77xxx</b> Flash - AXI 0x0800 0000 – 0x081F FFFF <b>STM32F746xx/STM32F756xx</b> Flash - AXI 0x0800 0000 – 0x080F FFFF	Flash A 0x0800 0000 – 0x080F FFFF Flash B 0x0810 0000 – 0x081F FFF
	<b>STM32F76xxx/STM32F77xxx</b> Flash – ITCM 0x0020 0000 – 0x003F FFFF <b>STM32F746xx/STM32F756xx</b> Flash – ITCM 0x0020 0000 – 0x002F FFFF	NA

**Table 10. Flash memory differences between STM32F7 Series and STM32H743/753 line devices (continued)**

Flash	STM32F7 Series	STM32H743/753 line
Main / Program memory	<b>STM32F76xxx/STM32F77xxx:</b> Up to 2 Mbytes (single/Dual Bank) Single bank: up to 256 Kbyte sector size Dual bank: up to 128 Kbyte sector size <b>STM32F746xx/STM32F756xx:</b> Up to 1 Mbyte (single bank) Up to 256 Kbyte sector size	Up to 2 Mbytes (Dual Bank) 128 Kbytes size sector
	Programming granularity: 64 bits Flash line width: 256 bits or 128 bits	Programming granularity: 256 bits Flash line width: 256 bits
Wait State	Up to 9 (depending on the supply voltage and frequency)	Up to 4 (depending on the core voltage and frequency)
Option bytes	32 bytes	2 Kbytes
OTP	1024 bytes	NA
Features	<b>STM32F76xxx/STM32F77xxx:</b> – Read While Write (RWW) – Supports dual boot mode – Sector, mass erase and bank mass erase (only in dual bank mode)	– Error Code Correction (ECC) – Double-word, word, half-word and byte read / write operations – Sector erase, Bank erase and Mass erase – Dual-bank organization supporting simultaneous operations: two read/program/erase operations can be executed in parallel on the two banks – Bank swapping: the address mapping of the user Flash memory of each bank can be swapped.
Protection mechanisms	Readout protection (RDP)	
	NA	– 2 PCROP protection area (1 per bank, execute-only memory) – 2 secure area in user Flash memory (1 per bank) – Sector write protection.

## 4.4 NVIC

*Table 11* presents the interrupt vector differences between the STM32F7 Series and STM32H743/753 line devices.

**Table 11. Interrupt vector differences between STM32F7 Series and STM32H743/753 line devices**

Position	STM32F7 Series	STM32H743/753 line
3	RTC_WKP	RTC_TAMP_STAMP_CSS_LSE
18	ADC	ADC1_2
19	CAN1_TX	FDCAN1_IT0
20	CAN1_RX0	FDCAN2_IT0
21	CAN1_RX1	FDCAN1_IT1
22	CAN1_SCE	FDCAN2_IT1
24	TIM1_BRK_TIM9	TIM1_BRK
25	TIM1_UP_TIM10	TIM1_UP
26	TIM1_TRG_COM_TIM11	TIM1_TRG_COM
42	OTG_FS_WKUP	Reserved
63	CAN2_TX	FDCAN_CAL
64	CAN2_TX	Reserved
65	CAN2_RX1	Reserved
66	CAN2_SCE	Reserved
67	OTG_FS	Reserved
98	DSIHOST	OTG_FS_EP1_OUT
99	DFSDM1_FLT1	OTG_FS_EP1_IN
100	DFSDM1_FLT2	OTG_FS_WKUP
101	DFSDM1_FLT3	OTG_FS
102	DFSDM1_FLT4	DMAMUX1_OV
103	SDMMC2	HRTIM1_MST
104	CAN3_TX	HRTIM1_TIMA
105	CAN3_RX0	HRTIM1_TIMB
106	CAN3_RX1	HRTIM1_TIMC
107	CAN3_SCE	HRTIM1_TIMD
108	JPEG	HRTIM1_TIME
109	MDIOS	HRTIM1_FLT

**Table 11. Interrupt vector differences between STM32F7 Series and STM32H743/753 line devices (continued)**

Position	STM32F7 Series	STM32H743/753 line
110	NA	DFSDM1_FLT0
111		DFSDM1_FLT1
112		DFSDM1_FLT2
113		DFSDM1_FLT3
114		SAI3
115		SWPMI1
116		TIM15
117		TIM16
118		TIM17
119		MDIO_WKUP
120		MDIO
121		JPEG
122		MDMA
124		SDMMC
125		HSEM0
127		ADC3
128		DMAMUX2_OVR
129		BDMA_CH1
130		BDMA_CH2
131		BDMA_CH3
132		BDMA_CH4
133		BDMA_CH5
134		BDMA_CH6
135		BDMA_CH7
136		BDMA_CH8
137		COMP
138		LPTIM2
139		LPTIM3
140		LPTIM4
141		LPTIM5
142		LPUART

**Table 11. Interrupt vector differences between STM32F7 Series and STM32H743/753 line devices (continued)**

Position	STM32F7 Series	STM32H743/753 line
143	NA	WWDG1_RST
144		CRS
145		Reserved
146		SAI4
147		Reserved
148		Reserved
149		WKUP

## 4.5 EXTI

### 4.5.1 EXTI main features in STM32H743/753 line

The Extended Interrupt and event controller (EXTI) manages the wakeup through configurable and direct event inputs. It provides wakeup requests to the power control, generates interrupt requests to the CPU NVIC and to the D3 domain DMAMUX2, and generates events to the CPU event input.

The asynchronous event inputs are classified in 2 groups:

- Configurable events (active edge selection, dedicated pending flag, trigger-able by software)
- Direct events (interrupt and wakeup sources from other peripherals, requiring to be cleared in the peripheral) with the following features:
  - Fixed rising edge active trigger
  - No interrupt pending status register bit in the EXTI (the interrupt pending status is provided by the peripheral generating the event)
  - Individual interrupt and event generation mask
  - No software trigger possibility
  - Direct system D3 domain wakeup events, that have a D3 pending mask and status register and may have a D3 interrupt signal

[Table 12](#) describes the difference of EXTI event input types between the STM32F7 Series and the STM32H743/753 line devices.

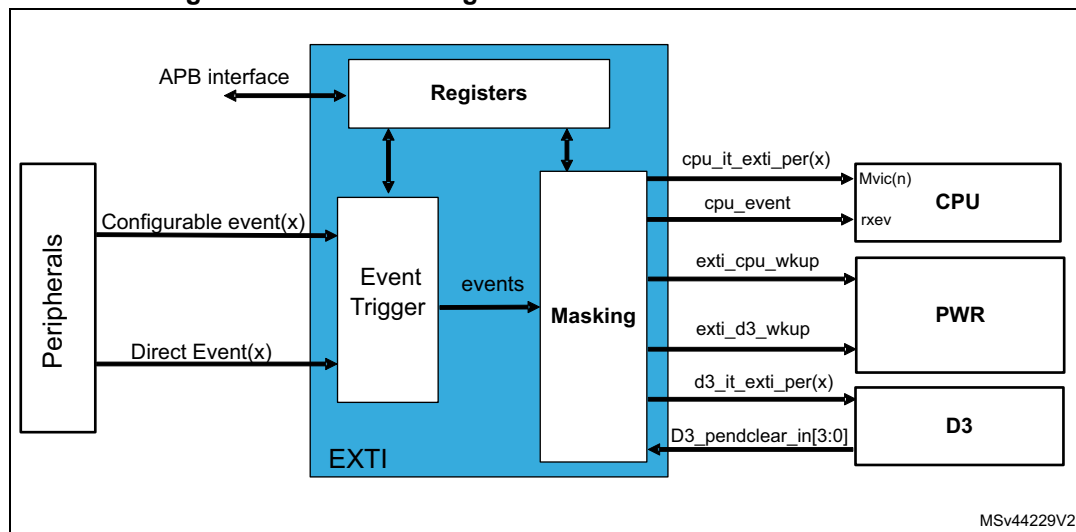
**Table 12. EXTI event input types differences between STM32F7 Series and STM32H743/753 line devices**

Main Features	STM32F7 Series	STM32H743/753 line
Configurable events	Available	Available
Direct events	-	Available

### 4.5.2 EXTI block diagram in STM32H743/753 line

As shown in *Figure 5*, the EXTI consists of a register block accessed via an APB interface, an event input trigger block, and a Masking block. The Register block contains all the EXTI registers. The event input trigger block provides an event input edge triggering logic.

**Figure 5. EXTI block diagram on STM32H743/753 line devices**



*Note:* For more details about EXTI functional description and registers description, refer to RM0433 available on [www.st.com](http://www.st.com).

*Table 13* presents the EXTI line differences between the STM32F7 Series and STM32H743/753 line devices.

**Table 13. EXTI line differences between STM32F7 Series and STM32H743/753 line devices**

EXTI line	STM32F7 Series	STM32H743/753 line	
		Source	Event input type
0 - 15	EXTI[15:0]	EXTI[15:0]	Configurable
16	PVD output	PVD and AVD	Configurable
17	RTC Alarm event	RTC alarms	Configurable
18	USB OTG_FS Wakeup event	RTC tamper, RTC timestamp, RCC LSECSS	Configurable
19	Ethernet Wakeup event	RTC wakeup timer	Configurable
20	USB OTG_HS (configured in FS) Wakeup event	COMP1	Configurable
21	RTC Tamper and timestamp events	COMP2	Configurable
22	RTC Wakeup event	I2C1 wakeup	Direct
23	LPTIM1 asynchronous event	I2C2 wakeup	Direct
24	MDIO Slave asynchronous interrupt	I2C3 wakeup	Direct

Table 13. EXTI line differences between STM32F7 Series and STM32H743/753 line devices

EXTI line	STM32F7 Series	STM32H743/753 line	
		Source	Event input type
25	NA	I2C4 wakeup	Direct
26		USART1 wakeup	Direct
27		USART2 wakeup	Direct
28		USART3 wakeup	Direct
29		USART6 wakeup	Direct
30		UART4 wakeup	Direct
31		UART5 wakeup	Direct
32		UART7 wakeup	Direct
33		UART8 wakeup	Direct
34		LPUART1 RX wakeup	Direct
35		LPUART1 TX wakeup	Direct
36		SPI1 wakeup	Direct
37		SPI2 wakeup	Direct
38		SPI3 wakeup	Direct
39		SPI4 wakeup	Direct
40		SPI5 wakeup	Direct
41		SPI6 wakeup	Direct
42		MDIO wakeup	Direct
43		USB1 wakeup	Direct
44		USB2 wakeup	Direct
47		LPTIM1 wakeup	Direct
48		LPTIM2 wakeup	Direct
49		LPTIM2 output	Configurable
50		LPTIM3 wakeup	Direct
51		LPTIM3 output	Configurable
52		LPTIM4 wakeup	Direct
53		LPTIM5 wakeup	Direct
54		SWPMI wakeup	Direct
55		WKUP1	Direct
56		WKUP2	Direct
57		WKUP3	Direct



Table 13. EXTI line differences between STM32F7 Series and STM32H743/753 line devices

EXTI line	STM32F7 Series	STM32H743/753 line	
		Source	Event input type
58	NA	WKUP4	Direct
59		WKUP5	Direct
60		WKUP6	Direct
61		RCC interrupt	Direct
62		I2C4 Event interrupt	Direct
63		I2C4 Error interrupt	Direct
64		LPUART1 global Interrupt	Direct
65		SPI6 interrupt	Direct
66		DMA1 CH0 interrupt	Direct
67		DMA1 CH1 interrupt	Direct
68		DMA1 CH2 interrupt	Direct
69		DMA1 CH3 interrupt	Direct
70		DMA1 CH4 interrupt	Direct
71		DMA1 CH5 interrupt	Direct
72		DMA1 CH6 interrupt	Direct
73		DMA1 CH7 interrupt	Direct
74		DMAMUX2 interrupt	Direct
75		ADC3 interrupt	Direct
76		SAI4 interrupt	Direct
85		HDMI-CEC wakeup	Configurable
86	ETHERNET wakeup	Configurable	
87	HSECSS interrupt	Direct	

**Note:** For more details about EXTI events input mapping, refer to EXTI event input mapping section of RM0433 reference manual.

## 4.6 Reset and clock control

### 4.6.1 Clock management

[Table 14](#) presents the source clock differences between the STM32F7 Series and the STM32H743/753 line devices.

**Table 14. Different source clock in STM32F7 Series and STM32H743/753 line devices**

Source clock		STM32F7 Series	STM32H743/753 line
Internal oscillators	HSI	16 MHz	64 MHz
	HSI48	NA	48 MHz
	CSI	NA	4 MHz
	LSI	32 kHz	40 kHz
External oscillators	HSE	4-26 MHz	4-48 MHz
	LSE	32.768 kHz	
PLLs		x3 without fractional mode	x3 With fractional mode (13-bit fractional multiplication factor)

### 4.6.2 Peripheral clock distribution

The peripheral clocks are the clocks provided by the RCC to the peripherals. Two kinds of clocks are available:

- The bus interface clocks
- The kernel clocks

On the STM32H743/753 line devices, the peripherals generally receive:

- One or several bus clocks.
- One or several kernel clocks.

[Figure 6](#) describes the peripheral clock distribution on the STM32H743/753 line devices.

Figure 6. Peripheral clock distribution on STM32H743/753 line devices

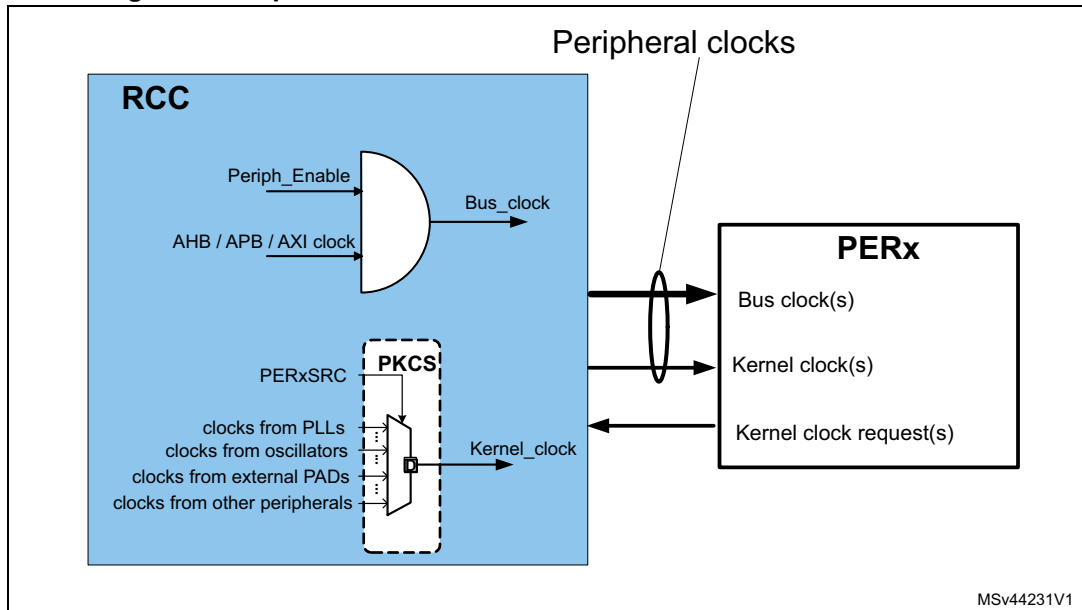


Table 15 describes an example of peripheral clock distribution for the STM32F7 Series and the STM32H743/753 line devices.

For more details about the kernel peripheral clock distribution, refer to *Kernel clock distribution overview* table of RM0433 reference manual

Table 15. Peripheral clock distribution example

Peripheral	STM32F7 Series	STM32H743/753 line
SPI1	APB2_Clock	<b>Bus clock</b> – APB2_Clock <b>Kernel clock</b> – PII1_q_ck/PII2_p_ck/PII3_p_ck/I2S_CKIN/ Per_ck
USART1	<b>Bus clock</b> – APB2_Clock <b>Kernel clock</b> – LSE – HSI – SYSCLK – PCLK2	<b>Bus clock</b> – APB2_Clock <b>Kernel clock</b> – PII2_q_ck/PII3_q_ck/hsi_ker_ck/csi_ker_ck/lse_ck

## 4.7 Operating conditions

[Table 16](#) illustrates the maximum operating frequency of the STM32F7 Series and STM32H743/753 line devices.

**Table 16. General operating conditions for STM32F7 Series and STM32H743/753 line devices**

Scale	STM32F7 Series max frequency	STM32H743/753 line max frequency		Unit
		Max CPU	Max D1/D2/D3	
Scale 1	216	400	200	MHz
Scale 2	180	300	150	
Scale 3	144	200	100	

# 5 PWR

Table 17 presents the PWR controller differences between the STM32F7 Series and the STM32H743/753 line devices.

**Table 17. PWR controller differences between STM32F7 Series and STM32H743/753 line devices**

PWR		STM32F7 Series	STM32H743/753 line
Power supplies	External power supply for I/Os	VDD = 1.7 to 3.6 V	VDD = 1.62 to 3.6 V
	Internal regulator supplying VCORE	VDD = 1.7 to 3.6 V	VDDLDO= 1.62 to 3.6 V
	External Analog power supply	– VDDA = 1.7 to 3.6 V – VREF-	
		– VREF+ : a separate reference voltage, available on VREF+ pin for ADC and DAC	– VREF+ : a separate reference voltage, available on VREF+ pin for ADC and DAC – When enabled by ENVR bit in the VREFBUF control and status register <sup>(1)</sup> , VREF+ is provided from the internal voltage reference buffer.
	USB power supply	– VDD33USB = 3.0 to 3.6V	– VDD33USB = 3.0 to 3.6 V – VDD50USB
	Backup domain	VBAT = 1.65 to 3.6 V	VBAT = 1.2 to 3.6 V
	Independent power supply	VDDSDMMC = 3.3V VDDDSI = VDD	NA
	VCORE supplies	1.08 V ≤ VCAP_1 and VCAP_2 ≤ 1.40 V	1.05 V ≤ VCAP1 and VCAP2 and VCAP3 ≤ 1.2 V
	Reg bypass: must be supplied from external regulator on VCAP pins	VOS1	1.32 V
VOS2		1.26 V	1.12 V
VOS3		1.14 V	1.05 V
Peripheral supply regulation		DSI voltage regulator	USB regulator
Power supply supervision		– POR/PDR monitor – BOR monitor – PVD monitor	
		NA	– AVD monitor <sup>(2)</sup> – VBAT thresholds <sup>(3)</sup> – Temperature thresholds <sup>(4)</sup>

- For more details about VREFBUF (see *Voltage reference buffer (VREFBUF)* section of RM0433 reference manual).
- Analog voltage detector (AVD): to monitor the VDDA supply by comparing it to a threshold selected by the ALS[1:0] bits in the PWR\_CR1 register. The AVD is enabled by setting the AVDEN bit in the PWR\_CR1 register.
- Battery voltage thresholds (VBAT thresholds): indicate if VBAT is higher or lower than the threshold. The VBAT supply monitoring can be enabled/disabled via MONEN bit in the PWR\_CR2 register.
- Temperature thresholds: the temperature monitoring can be enabled/disabled via MONEN bit in the PWR\_CR2 register. It indicates whether the device temperature is higher or lower than the threshold.



## 6 System configuration controller

Table 18 illustrates the SYSCFG main differences between the STM32F7 Series and the STM32H743/753 line devices.

**Table 18. SYSCFG main features differences between STM32F7 Series and STM32H743/753 line devices**

	STM32F7 Series
<b>SYSCFG</b>	<ul style="list-style-type: none"> <li>– Remap the memory areas</li> <li>– Managing Class B feature</li> </ul>
	STM32F7 Series and STM32H743/753 line
	<ul style="list-style-type: none"> <li>– Select the Ethernet PHY interface</li> <li>– Managing the external interrupt line connection to the GPIOs</li> <li>– Managing I/O compensation cell feature</li> <li>– I2C Fast mode + configuration</li> </ul>
	STM32H743/753 line
	<p>New features added in STM32H743/753 line:</p> <ul style="list-style-type: none"> <li>– Analog switch configuration management</li> <li>– Getting readout protection and Flash memory bank swap informations</li> <li>– Management of boot sequences and boot addresses</li> <li>– Getting BOR reset level</li> <li>– Getting Flash memory secured and protected sector status</li> <li>– Getting Flash memory write protections status</li> <li>– Getting DTCM secured section status</li> <li>– Getting independent watchdog behavior (hardware or software / freeze)</li> <li>– Reset generation in Stop and Standby mode</li> <li>– Getting secure mode enabling/disabling</li> </ul>

*Note:* For more details, refer to SYSCFG register description section of RM0433 reference manual.

## 7 SDMMC

[Table 19](#) presents the differences between the SDMMC interface of the STM32F7 Series and STM32H743/753 line devices

**Table 19. SDMMC differences between STM32F7 Series and STM32H743/753 line devices**

SDMMC	STM32F7 Series	STM32H743/753 line
<b>Features</b>	– Full compliance with MultiMediaCard System Specification Version 4.2. Card support for three different databus modes: 1-bit (default), 4-bit and 8-bit	– Full compliance with MultiMediaCard System Specification Version 4.51. Card support for three different databus modes: 1-bit (default), 4-bit and 8-bit
	– Full compliance with SD Memory Card Specifications Version 2.0	– Full compliance with SD memory card specifications version 4.1.
	– Full compliance with SD I/O Card Specification Version 2.0: card support for two different databus modes: 1-bit (default) and 4-bit	– Full compliance with SDIO card specification version 4.0. Card support for two different databus modes: 1-bit (default) and 4-bit.
	– Data transfer up to 200 Mbyte/s for the 8-bit mode.	– Data transfer up to 208 Mbyte/s for the 8-bit mode. <sup>(1)</sup>
	NA	– SDMMC IDMA: is used to provide high speed transfer between the SDMMC FIFO and the memory. The AHB master optimizes the bandwidth of the system bus. The SDMMC internal DMA (IDMA) provides one channel to be used either for transmit or receive.

1. Depending of the maximum allowed IO speed. for more details refer to datasheet.

## 8 U(S)ART

The STM32H743/753 line devices implement several new features on the U(S)ART compared to the STM32F7 Series devices. [Table 20](#) shows the U(S)ART differences.

**Table 20. U(S)ART differences between STM32F7 Series and STM32H743/753 line devices**

U(S)ART	STM32F7 Series	STM32H743/753 line
<b>Instances</b>	<ul style="list-style-type: none"> <li>– 4 x USART</li> <li>– 4 x UART</li> </ul>	<ul style="list-style-type: none"> <li>– 4 x USART</li> <li>– 4 x UART</li> <li>– 1 x LPUART</li> </ul>
<b>Clock</b>	– Dual clock domain with dedicated kernel clock for peripherals independent from PCLK	
<b>Wakeup</b>	NA	– Wakeup from low-power mode
<b>Features</b>		<ul style="list-style-type: none"> <li>– SPI slave transmission, underrun flag</li> <li>– Two internal FIFOs for transmit and receive data</li> <li>– Each FIFO can be enabled/disabled by software and come with a status flag.</li> </ul>



## 9 SPI

The STM32H743/753 line devices implement some enhanced SPI compared to the STM32F7 Series devices. [Table 21](#) shows the SPI differences.

**Table 21. SPI differences between STM32F7 Series and STM32H743/753 line devices**

SPI	STM32F7 Series	STM32H743/753 line
Instances	x4	x6
Clock	Single clock domain	Dual clock domain with dedicated kernel and serial interface clock independent from PCLK with transmission and reception capability at low-power stop
Wakeup	NA	Wakeup from low-power mode
Features	<ul style="list-style-type: none"> <li>– Full-duplex synchronous transfers on three lines (with two separated data lines)</li> <li>– Half-duplex synchronous transfer on two lines (with single bidirectional data line)</li> <li>– Simplex synchronous transfers on two lines (with unidirectional data line)</li> <li>– 8 master mode baud rate prescalers up to <math>f_{PCLK}/2</math>.</li> <li>– Slave mode frequency up to <math>f_{PCLK}/2</math>.</li> <li>– NSS management by hardware or software for both master and slave</li> <li>– Master and slave capability, multi-master multi-slave support</li> <li>– Programmable clock polarity and phase</li> <li>– Programmable data order with MSB-first or LSB-first shifting</li> <li>– Dedicated transmission, reception and error flags with interrupt capability</li> <li>– SPI Motorola and TI formats support</li> <li>– Hardware CRC feature for reliable communication (at the end of transaction):               <ul style="list-style-type: none"> <li>- Configurable size and polynomial</li> <li>- Automatic CRC upend in Tx mode</li> <li>- Automatic CRC check in Rx mode</li> </ul> </li> <li>– Configurable RxFIFO threshold, data packeting support</li> <li>– Configurable data size (4-32 bit)</li> </ul>	

**Table 21. SPI differences between STM32F7 Series and STM32H743/753 line devices (continued)**

SPI	STM32F7 Series	STM32H743/753 line
Features (continued)	<ul style="list-style-type: none"> <li>– Two 32-bit embedded Rx and Tx FIFOs with DMA capability</li> <li>– CRC pattern size 8 or 16 bit</li> <li>– RxFIFO threshold 8 or 16 bit</li> </ul>	<ul style="list-style-type: none"> <li>– Protection of configuration and setting</li> <li>– Adjustable minimum delays between data and between SS and data flow at master</li> <li>– Configurable SS signal polarity and timing, MISO x MOSI swap capability</li> <li>– Programmable number of data within a transaction to control SS and CRC</li> <li>– Two 16x or 8x 8-bit embedded Rx and Tx FIFOs with DMA capability</li> <li>– Programmable number of data in transaction</li> <li>– Configurable behavior at slave underrun condition (support of cascaded circular buffers)</li> <li>– Master automatic suspend at receive mode</li> <li>– Master start/suspend control</li> <li>– Alternate function control of associated GPIOs</li> <li>– Selected status and error flags with wake up capability</li> <li>– CRC pattern size configurable from 4 to 32 bit</li> <li>– CRC polynomial length configurable</li> <li>– RxFIFO threshold from 1 to 16 data</li> </ul>

## 10 I2S

[Table 22](#) presents the I2S differences between the STM32F7 Series and STM32H743/753 line devices.

**Table 22. I2S differences between STM32F7 Series and STM32H743/753 line devices**

I2S	STM32F7 Series	STM32H743/753 Line	
Features	– Full duplex only when the extension module is implemented	– Full duplex native	
	– Minimum allowed value = 4	– More flexible clock generator (division by 1,2 are possible)	
	– Sampling edge is not programmable	– Programmable sampling edge for the bit clock	
	– Frame sync polarity cannot be selected	– Programmable frame sync polarity	
	– Receive buffer accessible in half-word	– Receive buffer accessible in half-word and words	
	– Data are right aligned into the receive buffer	– Various data arrangement available into the receive buffer	
	– Error flags signaling for Underrun, Overrun and Frame Error	– Error flags signaling for Underrun, Overrun and Frame Error	
	NA	NA	– Improved reliability: Automatic resynchronization to the frame sync in case of frame error
			– Improved reliability: Re-alignment of left and right samples in case of underrun or overrun situation
			– MSb/LSb possible in the serial data interface
	– 16 or 32 bits channel length in MASTER	– 16 or 32 bits channel length in MASTER	
	– 16 or 32 bits channel length in SLAVE	– Any channel length in SLAVE	
NA	– Embedded RX and TX FIFOs		
– DMA capabilities (16-bit wide)	– DMA capabilities (16-bit and 32-bit wide)		

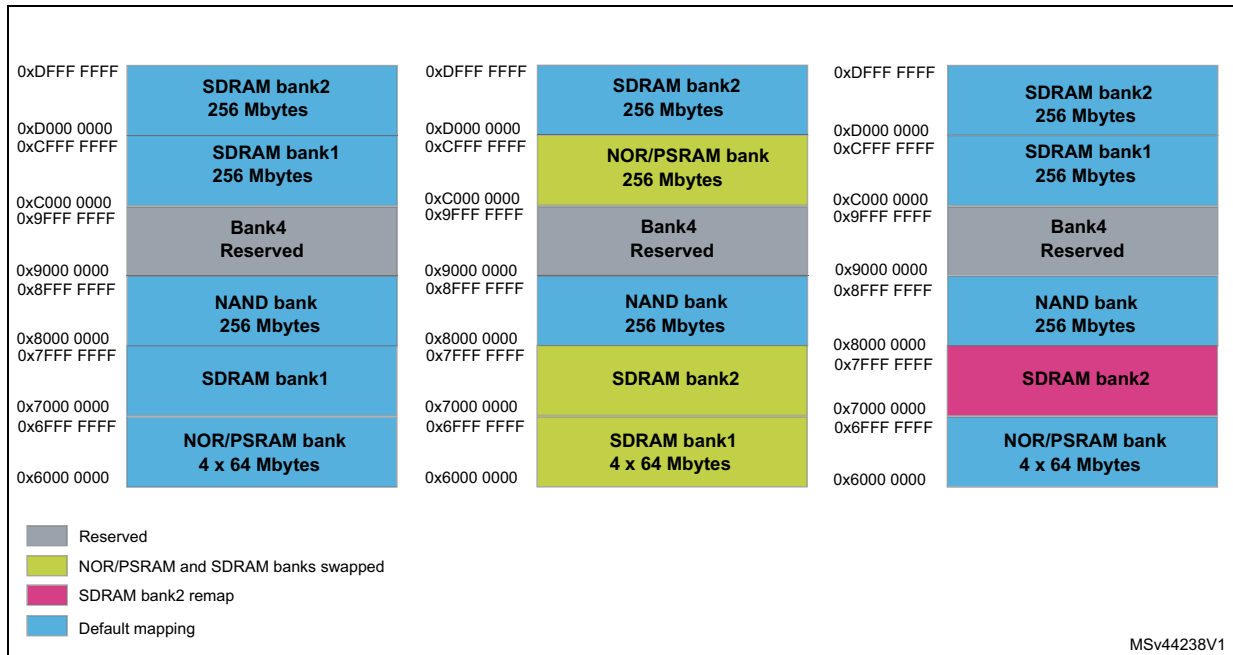
# 11 FMC

[Table 23](#) presents the FMC differences between the STM32F7 Series and STM32H743/753 line devices.

**Table 23. FMC differences between STM32F7 Series and STM32H743/753 line devices**

FMC	STM32F7 Series	STM32H7 Series
Mapping	AHB	AXI
Clock	Single clock domain	Dual clock domain with dedicated kernel clock for peripherals independent from AXI clock
Bank remap	<b>SYSCFG_MEMRMP register:</b> – FMC bank mapping can be configured by software through the SWP_FMC[1:0] bits.	<b>FMC_BCR1 register:</b> – FMC bank mapping can be configured by software through the BMAP[1:0] bits. (see <a href="#">Figure 7</a> )
Features	NA	– <b>FMCEN bit:</b> FMC controller Enable bit added in the FMC_BCR1 register. – To modify some parameters while FMC is enabled follow the below sequence: <ol style="list-style-type: none"> <li>1. First disable the FMC controller to prevent any further accesses to any memory controller during register modification.</li> <li>2. Update all required configurations.</li> <li>3. Enable the FMC controller again.</li> </ol> When the SDRAM controller is used, if the SDCLK Clock ratio or refresh rate has to be modified after initialization phase, the following procedure must be followed. <ul style="list-style-type: none"> <li>– Put the SDRAM device in Self-refresh mode.</li> <li>– Disable the FMC controller by resetting the FMCEN bit in the FMC_BCR1 register.</li> <li>– Update the required parameters.</li> <li>– Enable the FMC controller once all parameters are updated.</li> <li>– Then, send the Clock Configuration Enable command to exit Self-fresh mode.</li> </ul>

Figure 7. FMC bank address mapping on STM32H743/753 line devices



## 12 ADC

[Table 24](#) presents the differences between the ADC peripheral of the STM32F7 Series and the STM32H743/753 devices.

**Table 24. ADC differences between STM32F7 Series and STM32H743/753 line devices**

ADC	STM32F7 Series	STM32H743/753 line
Instances	X3	X3
Clock	Single clock domain	Dual clock domain with dedicated kernel clock for peripherals independent from CLK or HCLK
Number of channels	Up to 24 channels	Up to 20 channels
Resolution	12, 10, 8 or 6-bit	16, 14, 12, 10 or 8-bit
Conversion modes	<ul style="list-style-type: none"> <li>– Single</li> <li>– Continuous</li> <li>– Scan</li> <li>– Discontinuous</li> <li>– Dual and triple mode</li> </ul>	<ul style="list-style-type: none"> <li>– Single</li> <li>– Continuous</li> <li>– Scan</li> <li>– Discontinuous</li> <li>– Dual mode</li> </ul>
DMA		YES
New features	NA	<ul style="list-style-type: none"> <li>– Input voltage reference from VREF+ pin or internal VREFBUF reference</li> <li>– ADC conversion time is independent from the AHB bus clock frequency</li> <li>– Self-calibration (both offset and the linearity)</li> <li>– Low-power features</li> <li>– 3 analog watchdogs per ADC</li> <li>– Internal dedicated channels: <ul style="list-style-type: none"> <li>- The internal DAC channel 1 and channel 2 are connected to ADC2</li> </ul> </li> <li>– Oversampler: <ul style="list-style-type: none"> <li>- 32-bit data register</li> <li>- Oversampling ratio adjustable from 2 to 1024</li> <li>- Programmable data right and left shift</li> </ul> </li> <li>– Data can be routed to DFSDM for post processing</li> </ul>

Table 25 and Table 26 present the differences of external trigger for regular channels and injected channels between the STM32F7 Series and STM32H743/753 line devices.

**Table 25. External trigger for regular channel differences between STM32F7 Series and STM32H743/753 line devices**

Type	EXTSEL[3:0] STM32F7 Series	EXTSEL[4:0] STM32H743/ 753 line3	Source	
			STM32F7 Series	STM32H743/753 line
Internal signal from on-chip timers	0000	00000	TIM1_CC1 event	
	0001	00001	TIM1_CC2 event	
	0010	00010	TIM1_CC3 event	
	0011	00011	TIM2_CC2 event	
	0100	00100	TIM5_TRGO event	TIM3_TRGO event
	0101	00101	TIM4_CC4 event	
	0110	00110	TIM3_CC4	EXTI line 11
	0111	00111	TIM8_TRGO event	
	1000	01000	TIM8_TRGO(2) event	
	1001	01001	TIM1_TRGO event	
	1010	01010	TIM1_TRGO(2) event	
	1011	01011	TIM2_TRGO event	
	1100	01100	TIM4_TRGO event	
	1101	01101	TIM6_TRGO event	
	NA	01110	EXTI line11	TIM15_TRGO event
	1111	01111	NA	TIM3_CC4 event
	NA	10000		HRTIM1_ADCTRG1 event
		10001		HRTIM1_ADCTRG3 event
		10010		LPTIM1_OUT event
		10011		LPTIM2_OUT event
10100		LPTIM3_OUT event		

**Table 26. External trigger for injected channel differences between STM32F7 Series and STM32H743/753 line devices**

Type	JEXTSEL[3:0] STM32F7 Series	JEXTSEL[4:0] STM32H743/753 line	Source		
			STM32F7 Series	STM32H743/753 line	
Internal signal from on-chip timers	0000	00000	TIM1_TRGO event		
	0001	00001	TIM1_CC4 event		
	0010	00010	TIM2_TRGO event		
	0011	00011	TIM2_CC1 event		
	0100	00100	TIM3_CC4 event		
	0101	00101	TIM4_TRGO event		
	NA	00110	NA	EXTI line 15	
	0111	00111	TIM8_CC4 event		
	1000	01000	TIM1_TRGO(2) event		
	1001	01001	TIM8_TRGO event		
	1010	01010	TIM8_TRGO(2) event		
	1011	01011	TIM3_CC3 event		
	1100	01100	TIM5_TRGO event		
	1101	01101	TIM3_CC1 event		
	1110	01110	TIM6_TRGO event	TIM6_TRGO event	
	NA	NA	01111	NA	TIM15_TRGO event
			10000		HRTIM1_ADCTRG2 event
			10001		HRTIM1_ADCTRG4 event
			10010		LPTIM1_OUT event
			10011		LPTIM2_OUT event
10100			LPTIM3_OUT event		



## 13 DAC

The STM32H743/753 line devices implement some enhanced DAC compared to the STM32F7 Series devices. [Table 27](#) shows the DAC differences.

**Table 27. DAC differences between STM32F7 Series and STM32H743/753 line devices**

DAC	STM32F7 Series	STM32H743/753 line
Clock	Single clock domain	Single clock domain (APB), LSI is used for sample and hold mode
Features	– Input voltage reference, VREF+	– Input voltage reference from VREF+ pin or internal VREFBUF reference
	NA	– Buffer offset calibration – DAC output connection to on chip peripherals – Sample and hold mode for low power operation in Stop mode

# 14 USB OTG

The STM32H743/753 line devices embed two instances of USB OTG\_HS while the STM32F7 Series devices embed one instance of USB OTG\_HS and one instance of USB OTG\_FS.

[Table 28](#) summarizes the difference of USB OTG\_HS between the STM32F7 Series and the STM32H743/753 line devices.

**Table 28. USB OTG\_HS differences between STM32F7 Series and STM32H743/753 line devices**

USB OTG_HS	STM32F7 Series	STM32H743/753 line
Instance	x1	x2 <sup>(1)</sup>
Device bidirectional endpoints (including EP0)	9	
Host mode channels	16	
Size of dedicated SRAM	4 Kbytes	
USB 2.0 Link Power Management (LPM) support	Yes	
OTG revision supported	1.3, 2.0	2.0
Attach Detection Protocol (ADP) support	Not supported	
Battery Charging Detection (BCD) support	No	Yes
ULPI available to primary I/Os via, muxing	Yes	
DMA availability	Yes	

1. On the STM32H7 Series devices although both OTG\_HS1 and OTG\_HS2 can potentially be programmed for HS operation, only OTG\_HS1 has an accessible ULPI interface which will allow a High Speed operation using an external HS transceiver.

## 15 Ethernet

The STM32H743/753 line devices implement several new features on the Ethernet compared to the STM32F7 Series devices. [Table 29](#) shows the Ethernet differences.

**Table 29. Ethernet differences between STM32F7 Series and STM32H743/753 line devices**

Ethernet	STM32F7 Series	STM32H743/753 line
Operation modes and PHY support	<ul style="list-style-type: none"> <li>– 10/100 Mbps data rate</li> <li>– Full-duplex and half-duplex operations</li> <li>– MII and RMII interface to external PHY</li> </ul>	
Processing control	NA	<ul style="list-style-type: none"> <li>– Multi-layer filtering (Layer 3 and 4, VLAN and MAC filtering)</li> <li>– Double VLAN support (C-VLAN+ S-VLAN)</li> </ul>
Offload processing	NA	<ul style="list-style-type: none"> <li>– Automatic ARP response</li> <li>– TCP segmentation</li> </ul>
Low-power mode	<ul style="list-style-type: none"> <li>– Remote wakeup packet and AMD Magic Packet™ detection</li> </ul>	
	NA	<ul style="list-style-type: none"> <li>– Energy Efficient Ethernet (EEE)</li> </ul>

## 16 Digital filter for sigma delta modulators (DFSDM)

The STM32H743/753 line devices implement several new features on the DFSDM compared to the STM32F76xxx and STM32F77xxx devices. [Table 30](#) shows the DFSDM differences.

**Table 30. DFSDM differences between STM32F76xxx and STM32F77xxx devices and STM32H743/753 line devices**

DFSDM	STM32F76xxx / STM32F77xxx	STM32H743/753 line
Number of channels	8	
Number of filters	4	
Input from ADC	NA	Yes
Supported trigger sources	12	16

[Table 31](#) presents the DFSDM internal signals differences between the STM32F76xxx and STM32F77xxx devices and the STM32H743/753 line devices.

**Table 31. DFSDM internal signal differences between STM32F76xxx and STM32F77xxx devices and STM32H743/753 line devices**

Name	STM32F76xxx / STM32F77xxx	STM32H743/753 line
Internal/ external trigger signal	Refer to <a href="#">Table 32</a> for DFSDM triggers signals connections	
break signal output	Refer to <a href="#">Table 33</a> for DFSDM break signal connections	
DMA request signal	4 DMA request from DFSDM_FLTx (x =0 to 3)	
Interrupt request signal	4 interrupt request from each DFSDM_FLTx (x=0 to 3)	
ADC input data	NA	dfsdm_dat_adc[15:0]

[Table 32](#) describes the DFSDM triggers connection differences between the STM32F76xxx and STM32F77xxx devices and the STM32H743/753 line devices.

**Table 32. DFSDM trigger connection differences between STM32F76xxx and STM32F77xxx devices and STM32H743/753 line devices**

Trigger name	STM32F76xxx / STM32F77xxx	STM32H743/753 line
DFSDM_JTRG[0]	TIM1_TRGO	
DFSDM_JTRG[1]	TIM1_TRGO2	
DFSDM_JTRG[2]	TIM8_TRGO	
DFSDM_JTRG[3]	TIM8_TRGO2	
DFSDM_JTRG[4]	TIM3_TRGO	
DFSDM_JTRG[5]	TIM4_TRGO	
DFSDM_JTRG[6]	TIM10_OC1	TIM16_OC1
DFSDM_JTRG[7]	TIM6_TRGO	
DFSDM_JTRG[8]	TIM7_TRGO	
DFSDM_JTRG[9]	Reserved	HRTIM1_ADCTR1
DFSDM_JTRG[10]	Reserved	HRTIM1_ADCTR3
DFSDM_JTRG[23 :11]	Reserved	
DFSDM_JTRG[24]	EXTI11	
DFSDM_JTRG[25]	EXTI15	
DFSDM_JTRG[26]	LPTIMER1	
DFSDM_JTRG[27]	Reserved	LPTIMER2
DFSDM_JTRG[28]	Reserved	LPTIMER3
DFSDM_JTRG[31 :29]	Reserved	

[Table 33](#) presents the DFSDM break connections differences between the STM32F76xxx and STM32F77xxx devices and the STM32H743/753 line devices.

**Table 33. DFSDM break connection differences between STM32F76xxx and STM32F77xxx devices and STM32H743/753 line devices**

Break name	STM32F76xxx / STM32F77xxx	STM32H743/753 line
DFSDM_BREAK[0]	TIM1 break	TIM15 break
DFSDM_BREAK[1]	TIM1 break2	TIM16 break2
DFSDM_BREAK[2]	TIM8 break	TIM1/TIM17/TIM8 break
DFSDM_BREAK[3]	TIM8 break2	TIM1/TIM8 break2

## 17 Conclusion

This application note is a useful complement to the datasheets and the reference manuals, which gives a simple guideline to migrate an existing product based on the STM32F7 Series to the STM32H743/753 line.

## 18 Revision history

**Table 34. Document revision history**

Date	Revision	Changes
30-May-2017	1	Initial release.
15-Sep-2020	2	Replaced STM32H7x3 by STM32H743/753. Updated RM0433 title. Remove Chrom-ART Accelerator trademark. Renamed USB_OTG_HS/FS into USB OTG_HS/FS. Added connection between SDMMC2 and D2-to-D3 AHB bus in <a href="#">Figure 2: STM32H743/753 line system architecture</a> . Updated conversion modes in <a href="#">Table 24: ADC differences between STM32F7 Series and STM32H743/753 line devices</a> to indicate that the Triple mode is available only on STM32F7 devices.

**IMPORTANT NOTICE – PLEASE READ CAREFULLY**

STMicroelectronics NV and its subsidiaries (“ST”) reserve the right to make changes, corrections, enhancements, modifications, and improvements to ST products and/or to this document at any time without notice. Purchasers should obtain the latest relevant information on ST products before placing orders. ST products are sold pursuant to ST’s terms and conditions of sale in place at the time of order acknowledgement.

Purchasers are solely responsible for the choice, selection, and use of ST products and ST assumes no liability for application assistance or the design of Purchasers’ products.

No license, express or implied, to any intellectual property right is granted by ST herein.

Resale of ST products with provisions different from the information set forth herein shall void any warranty granted by ST for such product.

ST and the ST logo are trademarks of ST. For additional information about ST trademarks, please refer to [www.st.com/trademarks](http://www.st.com/trademarks). All other product or service names are the property of their respective owners.

Information in this document supersedes and replaces information previously supplied in any prior versions of this document.

© 2020 STMicroelectronics – All rights reserved