
**Layout recommendations for the design of boards
with ST25R3911B/ST25R391x devices**

Introduction

This document provides basic considerations for the design of boards featuring the products listed in [Table 1](#), to mitigate unwanted emissions and to keep the overall noise floor to a low level.

The interference between the ST25R3911B/ST25R391x devices and other active components (like receipt printers or displays) must be taken into account during the layout phase, to assure clean signal transmission.

Particular attention must be paid to signals propagating along traces, and to the spectrum content of each of them. Signals have to be analyzed in the time and frequency domains to track unwanted emissions back to the source, and take counter measures.

With a proper PCB layout, many EMI problems can be minimized, enabling the application to comply with FCC and/or CISPR standards.

Table 1. Applicable devices

Reference	Part number
ST25R3911B	ST25R3911B
ST25R391x	ST25R3910 ST25R3911 ST25R3912 ST25R3913 ST25R3914 ST25R3915

Contents

- 1 Acronyms 4**
- 2 General recommendations 5**
- 3 Basic considerations 6**
- 4 Radiation from traces 8**
 - 4.1 Differential signals 8
 - 4.1.1 RFO and RFI routing 9
 - 4.2 Common mode signals 11
 - 4.2.1 SPI data signal routing 12
- 5 Parasitic components and current return paths 13**
- 6 Decoupling and bypassing capacitors 14**
- 7 Power supply filtering 15**
- 8 Thermal pad 16**
- 9 Mixed signal PCB layout 17**
- 10 Conclusion 19**
- 11 Revision history 20**

List of figures

Figure 1.	Square wave	6
Figure 2.	Spectrum of a square wave	6
Figure 3.	Trapezoidal wave	6
Figure 4.	Low-pass filtering	7
Figure 5.	ST25R3911B with symmetrical matching layout.	8
Figure 6.	Loop areas on a PCB	9
Figure 7.	Routing of matching network	10
Figure 8.	Avoiding slots in the GND plane	11
Figure 9.	Common mode filter - Position on the PCB	12
Figure 10.	Common mode filter - Schematic	12
Figure 11.	Position of the decoupling capacitors	14
Figure 12.	Detail of power supply schematic	15
Figure 13.	ST25R3911B thermal pad	16
Figure 14.	Vertical separation between analog and digital signals	18

1 Acronyms

AGND	Analog GND
DGND	Digital GND
EMC	Electro Magnetic Compatibility
EMI	Electro Magnetic Interference
EUT	Emitter Under Test
ESD	Electro Static Discharge
GND	Ground (reference) level for voltages
IC	Integrated Circuit
PCB	Printed Circuit Board
RFI	Radio Frequency Input
RFO	Radio Frequency Output
USB	Universal Serial Bus

2 General recommendations

In PCB design there are guidelines that help optimize EMC performance

- Always consider and determine where and how the return currents are flowing.
- Do not route signals over ground gaps.
- Partition mixed-signal PCBs with separate analog and digital sections
- Do not split the current return plane; use one solid plane under both analog and digital sections of the board.
- Route digital signals only in the digital section of the board (for all digital related layers).
- Route analog signals only in the analog section of the board (for all analog related layers).
- In case ground or power planes are split for a specific reason (i.e. mechanical and or electrical), do not run any traces across the split on an adjacent layer.
- Traces (analog or digital) that must go over a power plane split must be on a layer adjacent to a solid ground plane (analog or digital).
- A/D and D/A converters, as well as most other mixed-signal ICs, should be considered as analog devices with a digital section, not digital devices with an analog section.
- The designation AGND and DGND on the pins of a mixed signal IC refers to where the pins are connected internally, and it does not imply where or how they should be connected externally. On most mixed-signal ICs, both the AGND and DGND pins should be connected to the analog return plane.
- The digital decoupling capacitor should be connected directly to the digital ground pin.
- The decoupling capacitors are needed to supply, through a low-inductance path, some or all of the transient power supply current required when an IC logic gate switches.
- Decoupling capacitors are needed to short out, or at least reduce the noise injected back into the power ground system.
- Decoupling is not the process of placing a capacitor adjacent to an IC to supply the transient switching current; rather it is the process of placing an L-C network adjacent to the IC to supply the transient switching current.
- The value of the decoupling capacitor(s) is important for the low-frequency decoupling effectiveness.
- The value of the decoupling capacitor(s) is not important at high frequencies. At high frequencies, the most important criteria is to reduce the inductance in series with the decoupling capacitors.
- Effective high-frequency decoupling requires the use of a large number of capacitors.
- Place decoupling capacitors as close as possible to the device.
- Route RFI and RFO signals symmetrically, and avoid long signal traces for the matching network. Keep the traces between RFO1 and RFO2 close to each other, and do the same for RFI1 and RFI2.
- The matching components should be placed close to each other, and symmetrically.

3 Basic considerations

Most of the signals generated by ICs are in the form of periodic square wave signals (Figure 1), with a spectrum similar to the one shown in Figure 2.

Figure 1. Square wave

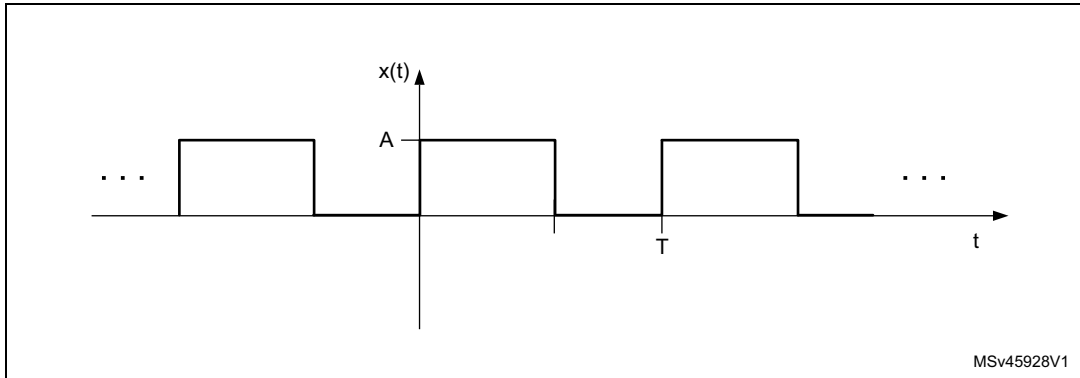
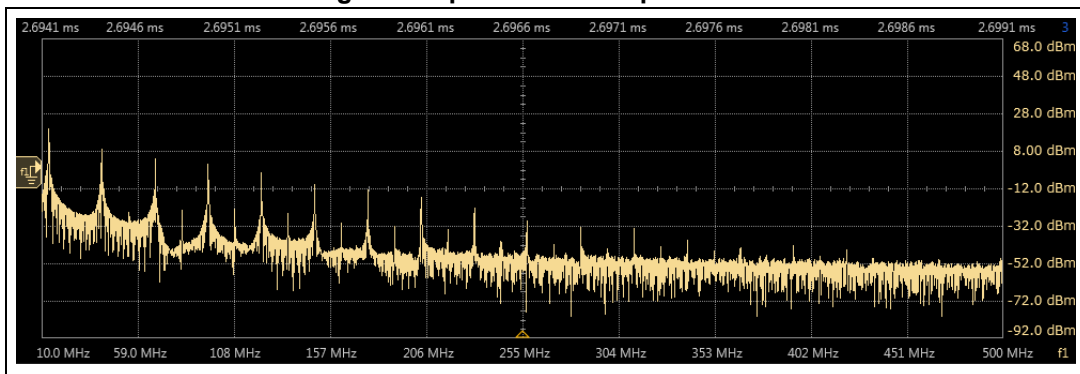
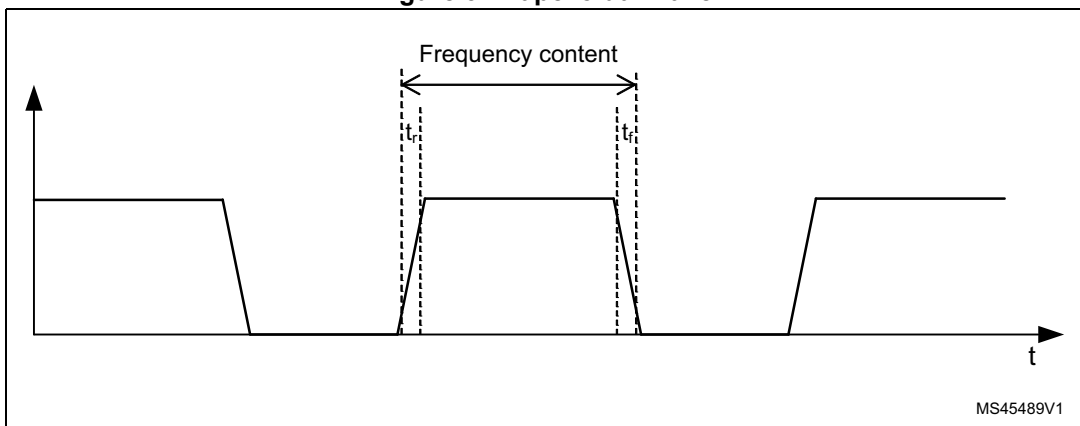


Figure 2. Spectrum of a square wave



As an ideal square wave cannot be generated in real devices, we have to deal with trapezoidal pulses from ICs or clocks, with finite slew rise and fall times (Figure 3). The amplitude of the higher frequency harmonics depends on the rise and fall times of the signal, dropping with longer rise times.

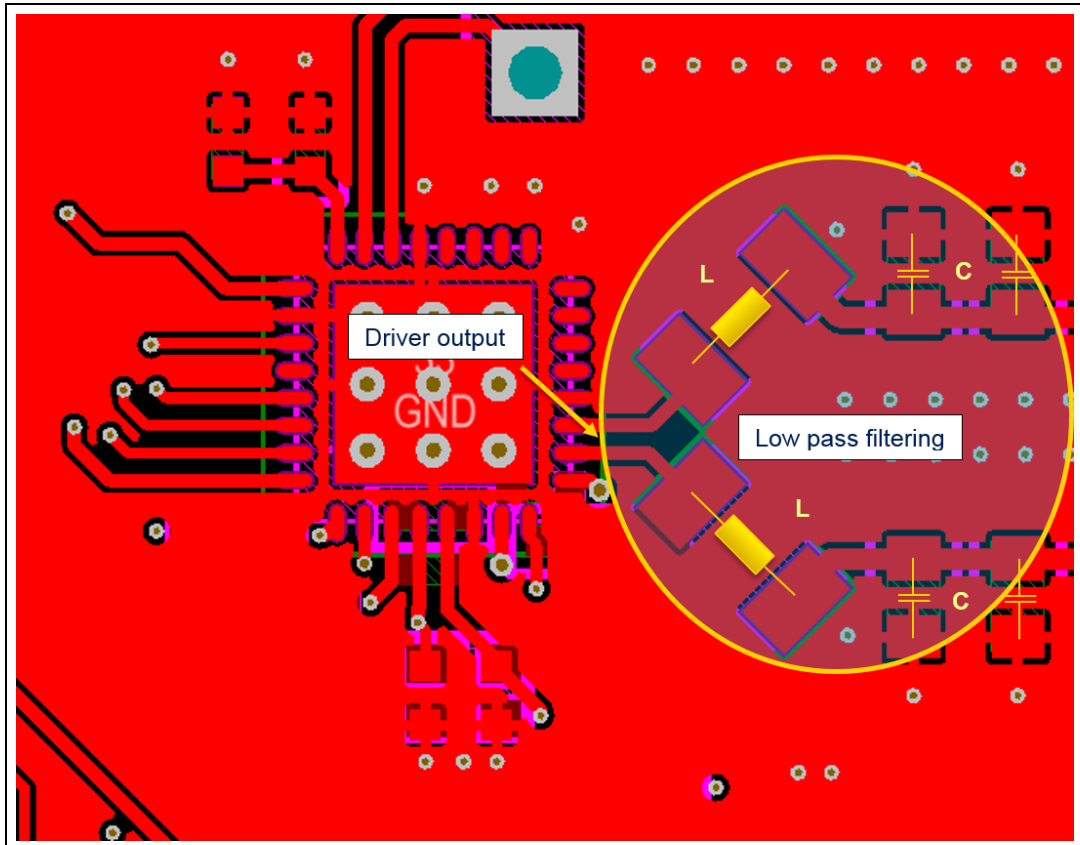
Figure 3. Trapezoidal wave



For the ST25R3911B, the slew rate is internally controlled .

Another method to reduce harmonics is to use low-pass filtering to round the edges. This is accomplished by an LC combination at the output of the RF drivers, as shown in *Figure 4*. It is important to position the filter network as close as possible to the output stages, to avoid unwanted radiation over long traces.

Figure 4. Low-pass filtering



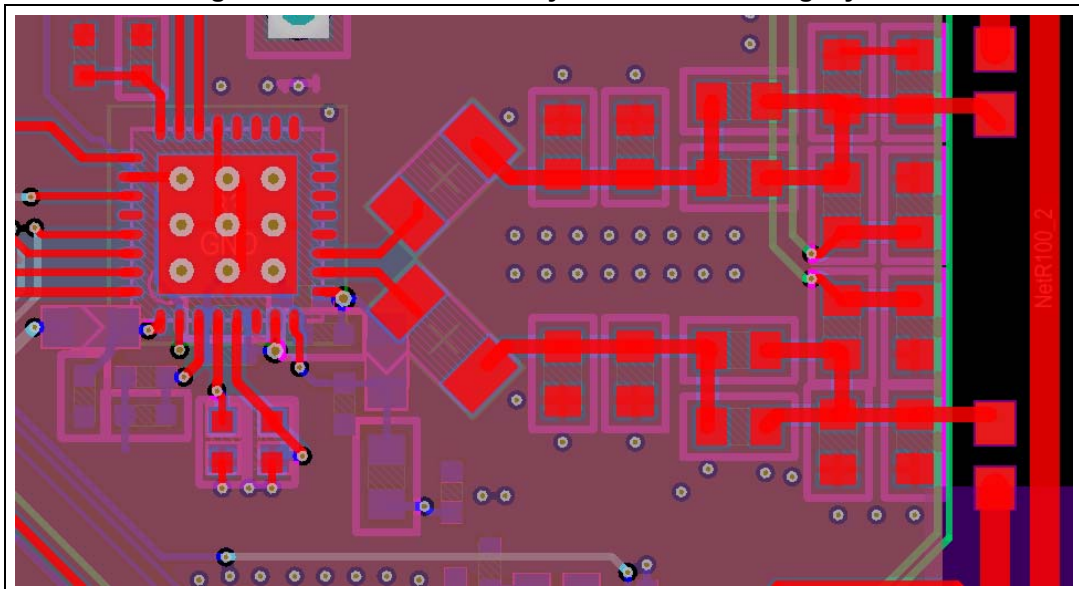
4 Radiation from traces

One of the sources of radiation can be identified in the exposed traces. To understand how traces radiate, the signals must be analyzed during their propagation. A signal propagating along traces can be divided into two main parts, namely a differential signal and a common mode signal.

4.1 Differential signals

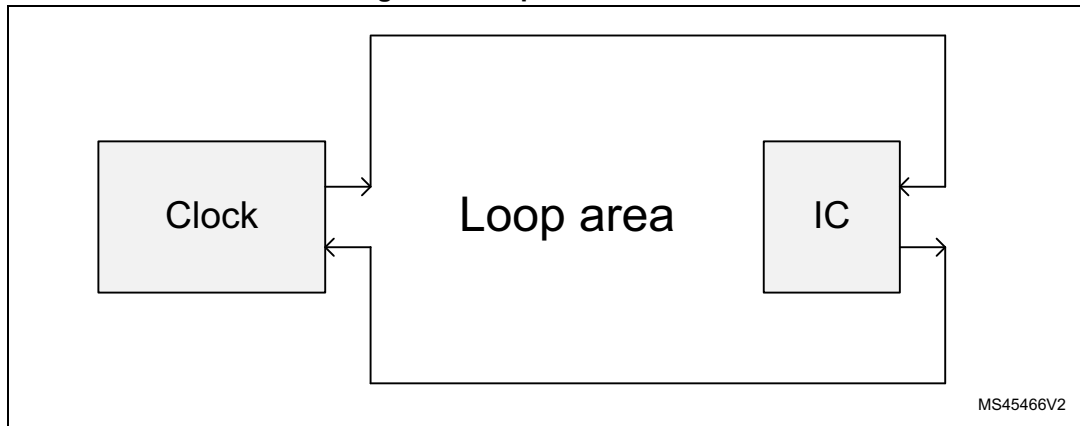
The total radiated field from a differential signal propagating along two traces tends to cancel itself, and in ideal conditions is zero. The same effect applies on the output drivers of ST25R3911B, which are operating in differential mode. However, due to component tolerances and signal asymmetries along the traces, differences in the current flow may appear and consequently a non “quasi zero” electric field is generated. Therefore, take care to layout the matching topology in a symmetrical way.

Figure 5. ST25R3911B with symmetrical matching layout



In addition, to control differential-mode radiated emission, it is important to minimize the loop areas formed by signal traces and their return current paths. Especially for clocks signals, the length needs to be minimized, to form the smallest possible loop areas.

Figure 6. Loop areas on a PCB



4.1.1 RFO and RFI routing

The transmit and receive stages of the ST25R3911B are differential pairs and need to be treated carefully during the PCB layout to minimize unwanted signal coupling and radiated emissions. These signals should be routed in an internal layer, but to avoid a large number of vias interconnecting the traces with the matching components, the complete matching network is placed on one side (the top layer) of the PCB. The return current will flow under the traces in the GND layer. It is important to have no cuts in the GND layer below the matching circuit.

It is essential to avoid so called through-vias in the matching layout, because they only contribute to unwanted emissions. Note that all matching components are close to each other to reduce the trace length from RFO to the antenna feed. It is not advised to have long signal traces between the LC filter and the remaining matching components. The inductors after the RFO are positioned perpendicularly to each other to minimize coupling effects.

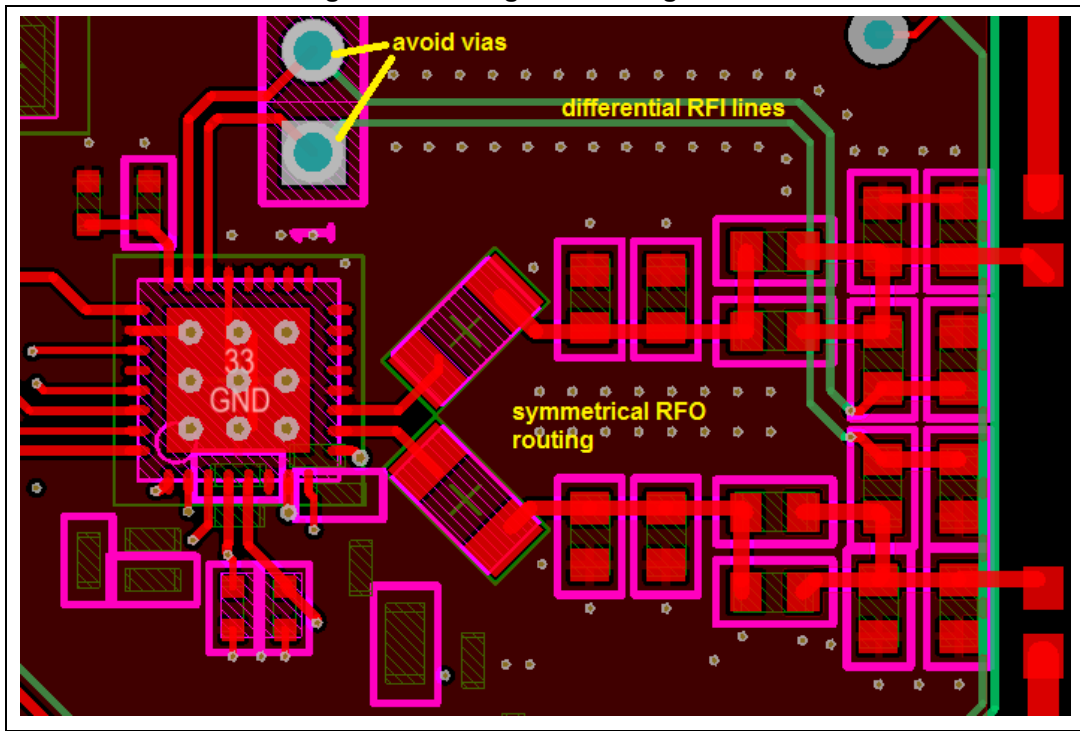
The RFI lines are routed symmetrically, at a reasonable distance from the RFO lines. The receive signals are decoupled from the middle point of the matching network and crossing the series capacitance where the carrier signal is relatively low. Never route the RFI signals separated from each other, and do not use different signal lengths.

Alternatively, the RFI lines can be routed through the middle of the matching network back to the RFI pins.

Note: The vias in the RFI lines must be avoided in the final design, the ones in [Figure 7](#) are only placed for measurement purposes.

Additionally, all the components (capacitors) to GND along the RFO path have been connected to GND by using multiple vias to minimize inductance, and consequently avoid unwanted resonances.

Figure 7. Routing of matching network



4.2 Common mode signals

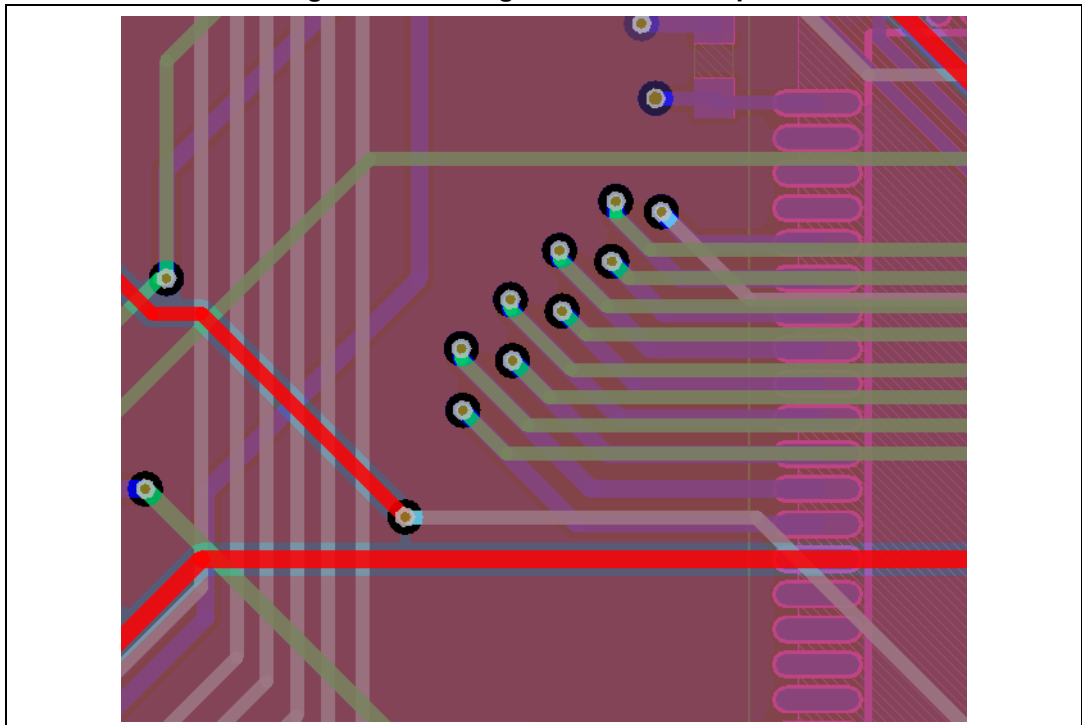
Common mode radiation mainly emanates from the connected cables of a PCB system.

The PCB reference ground plane inductance (and consequently the ground voltage) is the major contributor to the common mode radiation. Common mode radiation is more effectively produced than differential mode radiation, even a small amount of common mode current can result in significant emission problems.

To reduce common mode emissions

- keep the current supply path close to the current return path
- reduce cable length
- minimize the common-mode voltage, that is normally the ground potential. Reducing the ground impedance can be done by using solid ground planes or ground grids, and by avoiding slots in the ground plane (see [Figure 8](#)).

Figure 8. Avoiding slots in the GND plane



Take care of connected cables (if any), and shield them properly. This can be done, for instance, using common-mode impedance choke in series with the cable, with some isolation between connection from the enclosed cable to the PCB ground.

An integrated common mode filter (ECMF02-4CMX8) for USB D+ and D- lines and ESD protection for all lines can be used, as exemplified in [Figure 9](#) and [Figure 10](#), showing, respectively, the position on the PCB and the schematic.

Figure 9. Common mode filter - Position on the PCB

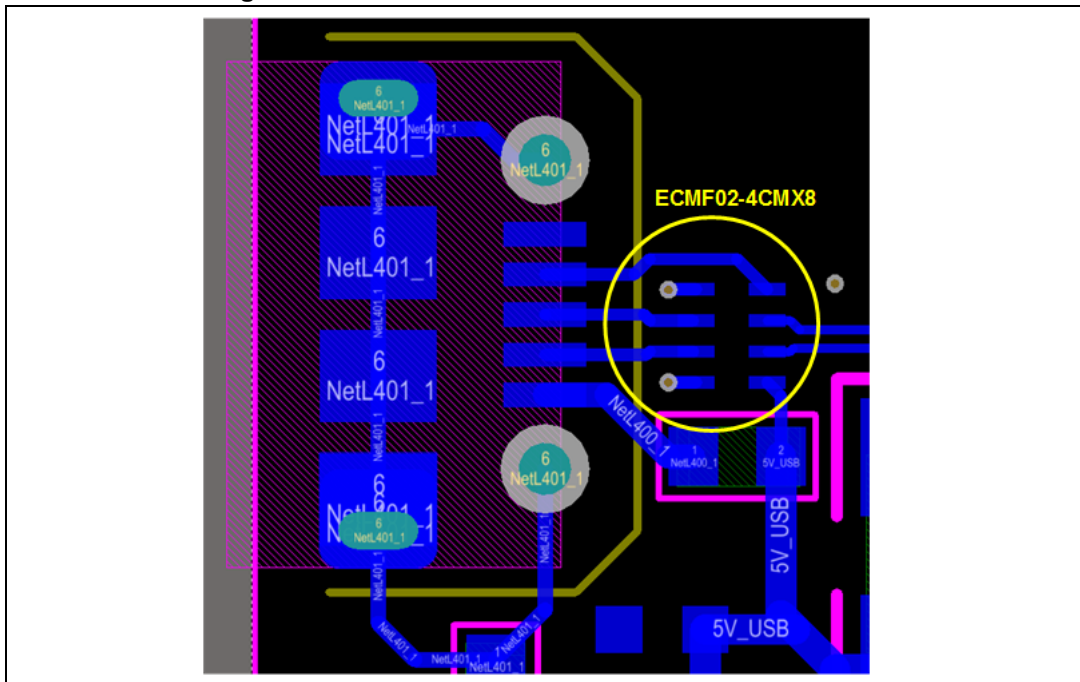
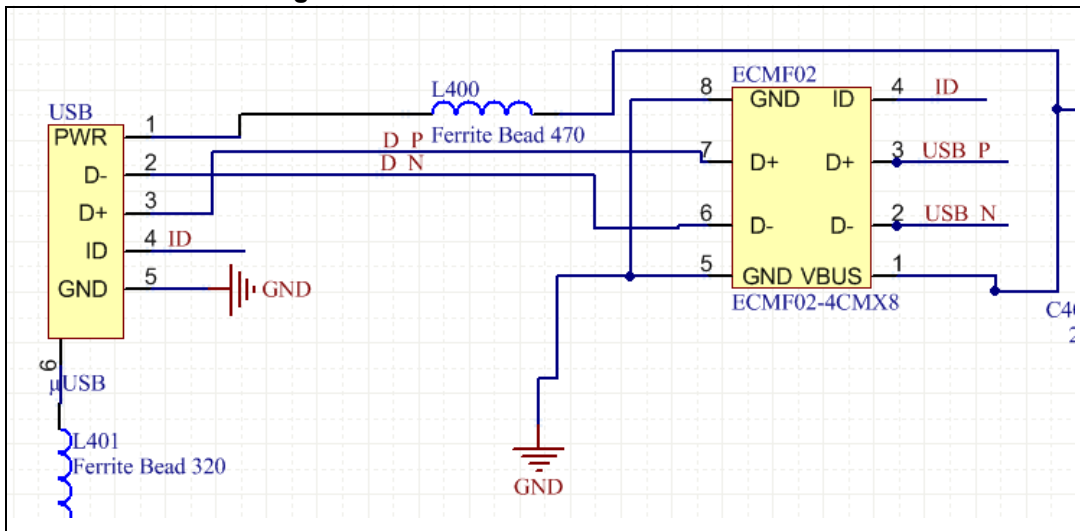


Figure 10. Common mode filter - Schematic



4.2.1 SPI data signal routing

The SPI data signals from the ST25R3911B/ST25R391x to the MCU must be routed, as much as possible, with equal length and controlled impedance.

Keep the trace length of the SPI interface short and minimize the use of vias.

Avoid routing the SPI signals over crystal oscillators (such as those generating the 27.12 MHz or 13.56 MHz frequencies), to minimize crosstalk and signal distortion.

5 Parasitic components and current return paths

In PCB design attention must be paid to the selection of passive components and their parasitic contribution.

Most of the time component manufacturers provide measured values only at low frequency, or in a frequency range not compatible with the one used in the PCB being designed. It is then critical for a designer to know the exact value and the parasitics within the whole considered frequency range of each passive components used in the design to avoid undesired system resonance that may lead to unintentional radiating effects.

Together with the parasitic effect, the current return path on the PCB needs to be evaluated.

All currents return to their source: they flow in loops, and the return path has a big impact on radiated emissions. Note that currents returning to the source follow different paths, depending upon the frequency: the path with the lowest resistance is the preferred one at low frequencies, the path with lowest inductance prevails in the high frequency range.

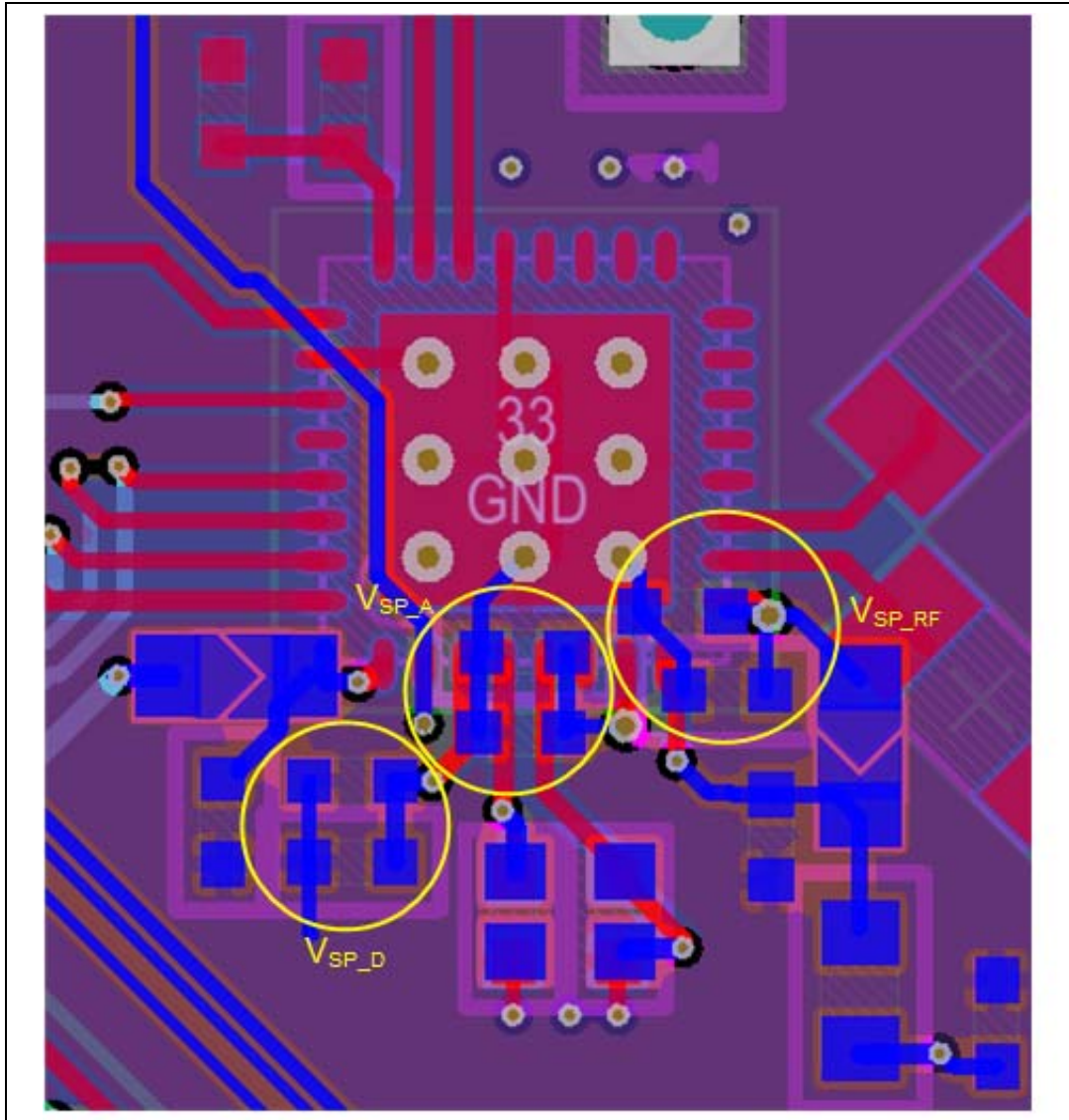
To understand return path resistance, it is important to calculate the impedance of a stripline and of a microstrip in the PCB, to identify paths with high and low impedance.

6 Decoupling and bypassing capacitors

All capacitors associated with the ST25R3911B regulator and AGD voltage pins (VSP_D, VSP_A, VSP_RF and AGD) must be as close to the chip as possible.

Figure 11 shows the typical arrangement of the decoupling capacitors, a 2.2 μF / 10 nF parallel combination.

Figure 11. Position of the decoupling capacitors

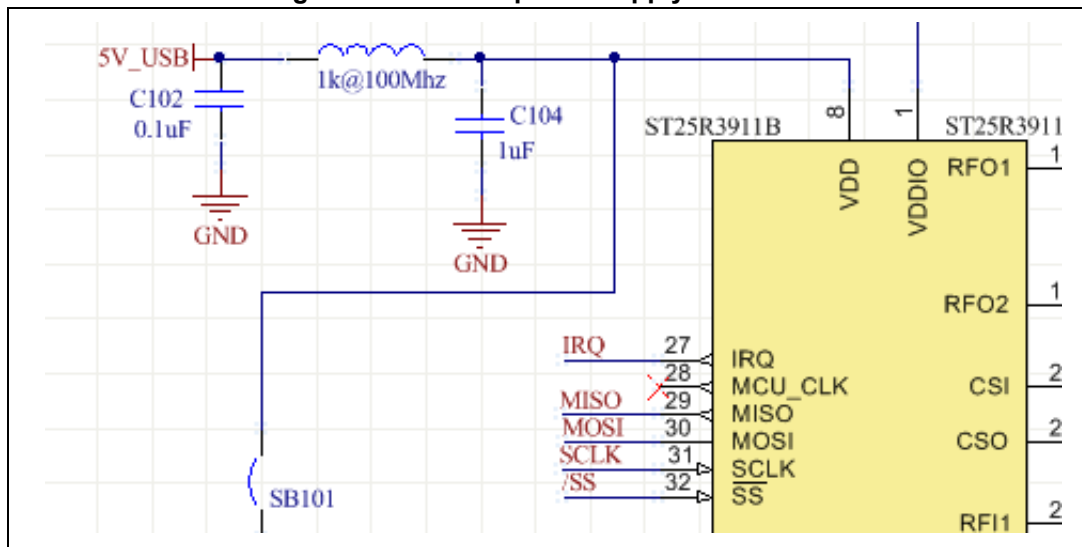


7 Power supply filtering

External noise may be injected into the system via power supply, and, similarly, internal noise may be conducted off of the board on the DC power leads. It is advised to put in place filters in the PCB power supply system design to reduce the effect of noise and transients on the lines. Both, common mode and differential mode filtering are applied on the PCB.

The power supply of the ST25R3911B VDD pin is formed by a PI filter. Typical values for capacitors are from 1 to 0.01 μF , and for the ferrite bead the typical resistance value varies from 50 to 1500 Ω in the frequency range of interest (avoid saturation of ferrite bead by DC current).

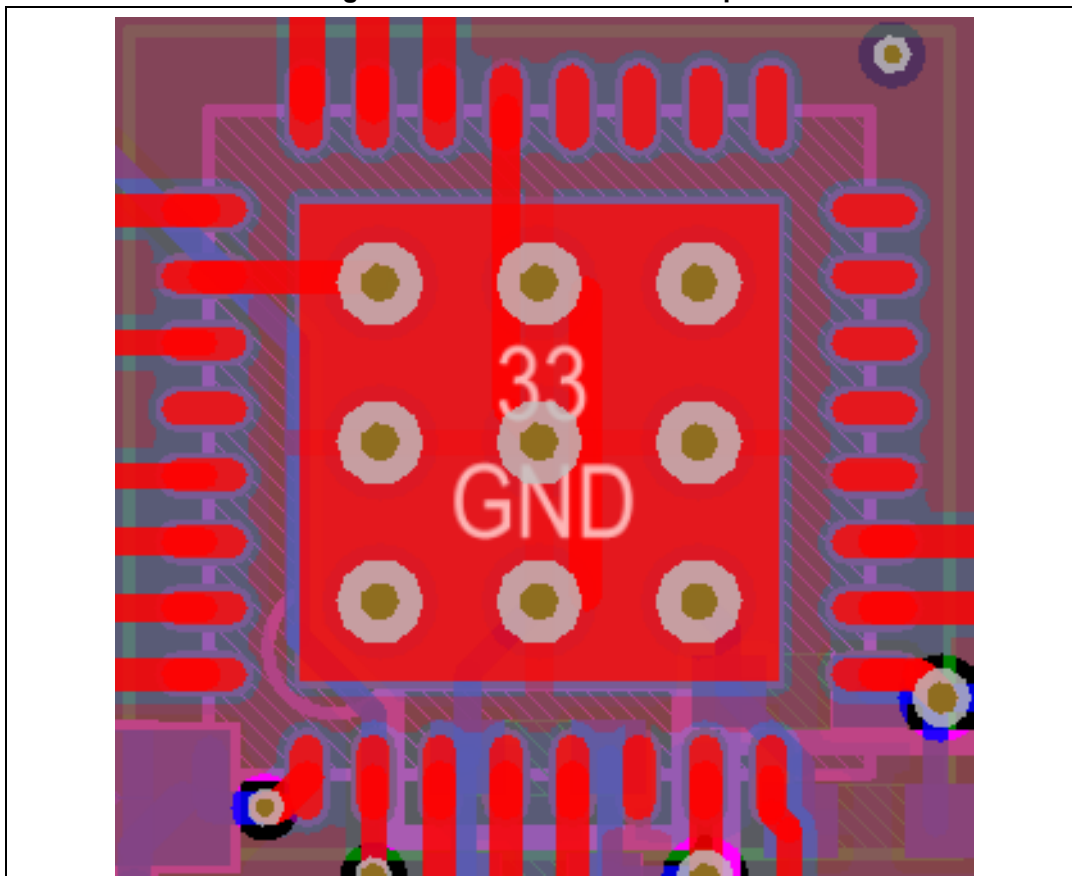
Figure 12. Detail of power supply schematic



8 Thermal pad

The thermal pad underneath the ST25R3911B provides both a ground plane and a thermal heat sink. This pad is connected to the PCB ground plane by multiple through-vias, and must be plated to have good soldering results. The multiple vias keep the total parasitic inductance low in this area.

Figure 13. ST25R3911B thermal pad



9 Mixed signal PCB layout

When a designer faces the design of a mixed signal system, the main question that comes in the PCB layout definition is related to the separation of the analog and digital parts, and consequently on how to handle the separation of ground between the two subsystems.

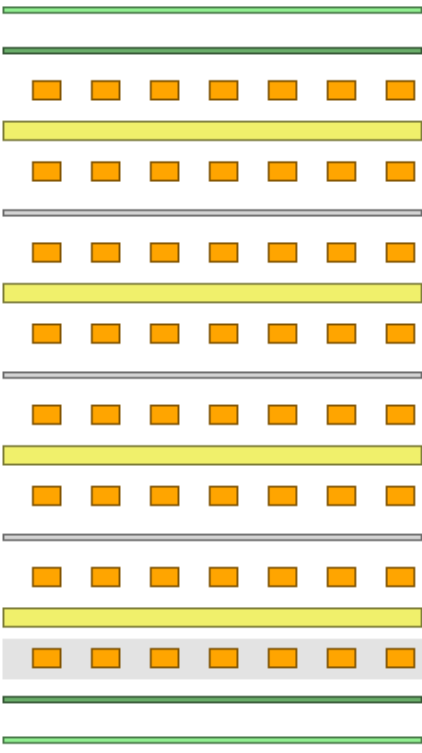
The origin of the split GND approach comes from the need to keep separated return currents for analog and digital subsystems. The separation between the two subsystems can be achieved by a physical separation of the two grounds (real cut) or by a spacial separation of them. When using more than one mixed signal IC with common GND connections for analog and digital signal the approach of having separate grounds may cause more issues compared to a single GND configuration.

In this case it is recommended to use only one current return plane, paying attention to partition the PCB area into digital and analog sectors; route analog and digital signals only in the analog and digital sector, respectively, to keep the return path current separated.

Additionally, the use of a split GND plane can create other problems because of the presence of possible multiple return paths of the supply current, and consequently of possible current loops. The supply current must return through a common ground terminal to which both the analog and the digital sub subsystem are referenced. The presence of the current loop will generate radiated emission, with the emission level being proportional to the loop area and to the current intensity.

A typical configuration of an 8-layer PCB implementing a full separation between analog and digital parts of the system is shown in [Figure 14](#). In this configuration the analog components are placed on the top layer of the PCB, and the digital ones are located on the bottom layer.

Figure 14. Vertical separation between analog and digital signals



Layer Name	Type	Material
Top Overlay	Overlay	
Top Solder	Solder Mask/Coverl...	Surface Material
Component Side - ANALOG	Signal	Copper
Dielectric1	Dielectric	Core
Ground Plane 1 (GND) - ANALOG	Signal	Copper
Dielectric2	Dielectric	Prepreg
Inner Layer 1 - ANALOG	Signal	Copper
Dielectric 6	Dielectric	Core
Power Plane (VRF) - ANALOG POWER	Signal	Copper
Dielectric5	Dielectric	Prepreg
Power Plane (VCC) - DIGITAL POWER	Signal	Copper
Dielectric 7	Dielectric	Core
Inner Layer 3 - DIGITAL	Signal	Copper
Dielectric4	Dielectric	Prepreg
Ground Plane 2 (GND) - DIGITAL	Signal	Copper
Dielectric3	Dielectric	Core
Solder Side - DIGITAL	Signal	Copper
Bottom Solder	Solder Mask/Coverl...	Surface Material
Bottom Overlay	Overlay	

10 Conclusion

Many of the most common EMC problems and operational pitfalls that can be experienced when designing high power RF systems can be avoided following the guidelines illustrated in this document.

Care has to be taken especially on signal routing, and on which PCB layer the signals will be placed.

PCB stack-up, placement of components, handling of multiple DC voltages, current return path and via placement must always be an integral part of the PCB layout.

User must remember that the last step needed to achieve the required performance is often linked to an optimized PCB layout.

11 Revision history

Table 2. Document revision history

Date	Revision	Changes
18-Jul-2017	1	Initial release.
11-Aug-2017	2	Scope extended to ST25R391x devices, hence updated document title and <i>Introduction</i> , and added <i>Table 1: Applicable devices</i> .
22-Aug-2017	3	Changed document classification (from ST Restricted to public).
12-Jan-2018	4	Added <i>Section 4.2.1: SPI data signal routing</i> . Updated <i>Figure 6: Loop areas on a PCB</i> . Minor text edits across the whole document.

IMPORTANT NOTICE – PLEASE READ CAREFULLY

STMicroelectronics NV and its subsidiaries ("ST") reserve the right to make changes, corrections, enhancements, modifications, and improvements to ST products and/or to this document at any time without notice. Purchasers should obtain the latest relevant information on ST products before placing orders. ST products are sold pursuant to ST's terms and conditions of sale in place at the time of order acknowledgement.

Purchasers are solely responsible for the choice, selection, and use of ST products and ST assumes no liability for application assistance or the design of Purchasers' products.

No license, express or implied, to any intellectual property right is granted by ST herein.

Resale of ST products with provisions different from the information set forth herein shall void any warranty granted by ST for such product.

ST and the ST logo are trademarks of ST. All other product or service names are the property of their respective owners.

Information in this document supersedes and replaces information previously supplied in any prior versions of this document.

© 2018 STMicroelectronics – All rights reserved