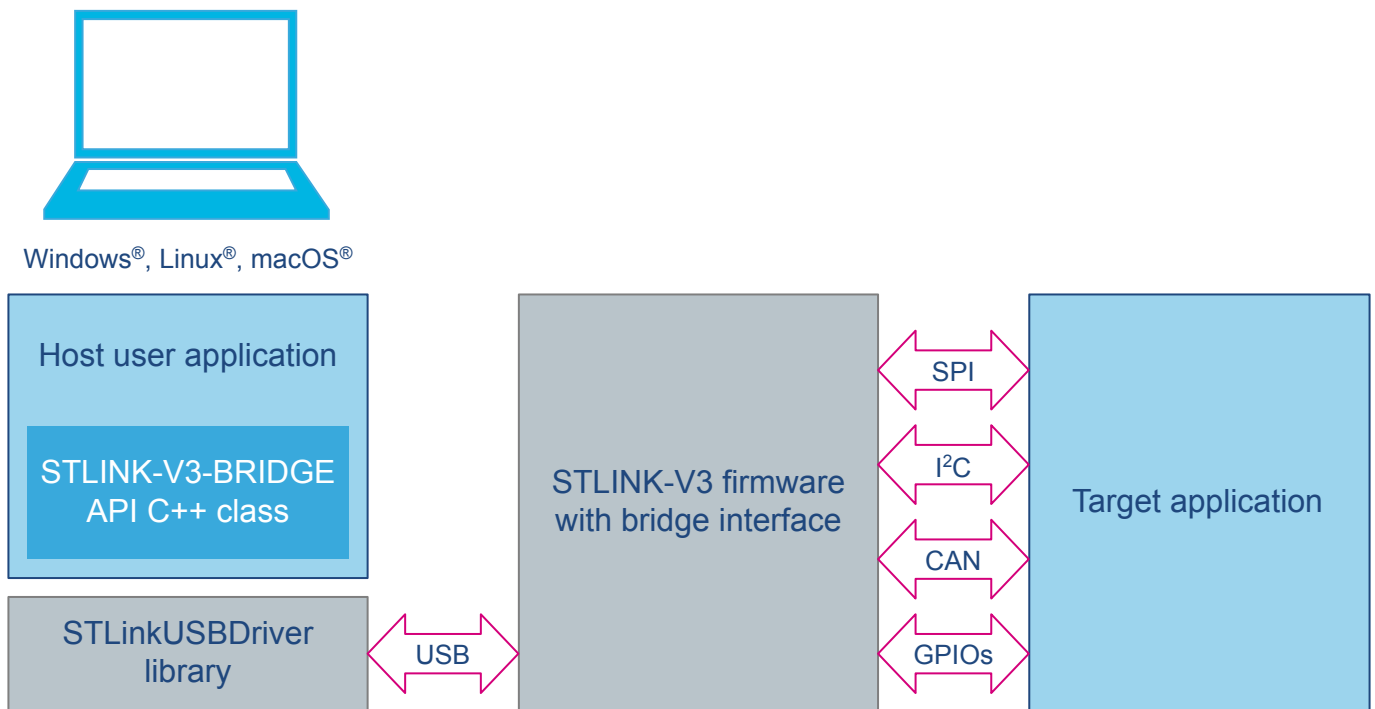


Software API compatible with the bridge interface of STLINK-V3



Product status link

[STLINK-V3-BRIDGE](#)

Features

- C++ source code implementing the bridge interface of STLINK-V3 on a personal computer
- Routines for configuring the SPI, I²C, CAN, and GPIO connections of STLINK-V3
- Routines for transferring data through the SPI, I²C, and CAN interfaces between STLINK-V3 and a running target
- User-friendly *ULTIMATE LIBERTY* license agreement

Description

The bridge API ([STLINK-V3-BRIDGE](#)) is a set of source files allowing the development of personal computer applications exercising the STLINK-V3 bridge interface of a target board. Refer to the board user manual to check whether it features the STLINK-V3 bridge interface.

The bridge API initializes the microcontroller of the STLINK-V3 subsystem and controls the communication through its I²C, SPI, and CAN interfaces. It also allows the configuration of up to four additional signals (GPIOs). Besides, the communication through STLINK-V3 UARTs is controlled by means of the Virtual COM port dedicated USB interfaces.

The development of the embedded application in the target board is facilitated by the use of the STM32Cube MCU Packages. The user must ensure that the parameters, used by the target application to configure the I²C, SPI, and CAN communication interfaces on the target side, match the STLINK-V3 configuration done through the bridge API.

On the host PC, the bridge API source files rely on the `STLinkUSBDriver.dll` on Windows[®], `STLinkUSBDriver.so` on Linux[®], and `STLinkUSBDriver.dylib` on macOS[®]. Those libraries are usually provided with the tools supporting ST-LINK. They are also provided in the [STSW-LINK007](#) ST-LINK firmware upgrade package available at www.st.com.

1 General information

The **STLINK-V3-BRIDGE** is built for use with the STLINK-V3 bridge interface firmware, which runs on an STM32 microcontroller based on the Arm[®] Cortex[®]-M processor.

Note: Arm is a registered trademark of Arm Limited (or its subsidiaries) in the US and/or elsewhere.



1.1 Ordering information

STLINK-V3-BRIDGE is available for free download from the www.st.com website.

1.2 Licensing

STLINK-V3-BRIDGE is delivered under the *ULTIMATE LIBERTY* software license agreement ([SLA0044](#)).

Revision history

Table 1. Document revision history

Date	Version	Changes
10-May-2019	1	Initial release.

Contents

1	General information	3
1.1	Ordering information	3
1.2	Licensing	3
	Revision history	4
	Contents	5
	List of tables	6



List of tables

Table 1. Document revision history 4

IMPORTANT NOTICE – PLEASE READ CAREFULLY

STMicroelectronics NV and its subsidiaries (“ST”) reserve the right to make changes, corrections, enhancements, modifications, and improvements to ST products and/or to this document at any time without notice. Purchasers should obtain the latest relevant information on ST products before placing orders. ST products are sold pursuant to ST’s terms and conditions of sale in place at the time of order acknowledgement.

Purchasers are solely responsible for the choice, selection, and use of ST products and ST assumes no liability for application assistance or the design of Purchasers’ products.

No license, express or implied, to any intellectual property right is granted by ST herein.

Resale of ST products with provisions different from the information set forth herein shall void any warranty granted by ST for such product.

ST and the ST logo are trademarks of ST. For additional information about ST trademarks, please refer to www.st.com/trademarks. All other product or service names are the property of their respective owners.

Information in this document supersedes and replaces information previously supplied in any prior versions of this document.

© 2019 STMicroelectronics – All rights reserved