
M95M01-DF package mechanical data modifications

Silicon identification

This errata sheet applies to the M95M01-DF, which is 1 Mbit serial SPI bus EEPROMs, and specifically to the devices delivered in 8-bump wafer-level chip-scale packages (WLCSP).

[Table 1](#) shows the list of part numbers.

Table 1. Device summary

Reference	Part Number
M95M01-DF	M95M01-DFCS6TP/K M95M01-DFCS6TPKF

Contents

1	M95M01-DF physical product change	5
2	Package mechanical data modifications	8
3	Revision history	9

List of tables

Table 1.	Device summary	1
Table 2.	D and E values corresponding to front side view	8
Table 3.	D and E values corresponding to back side view	8
Table 4.	Document revision history	9

List of figures

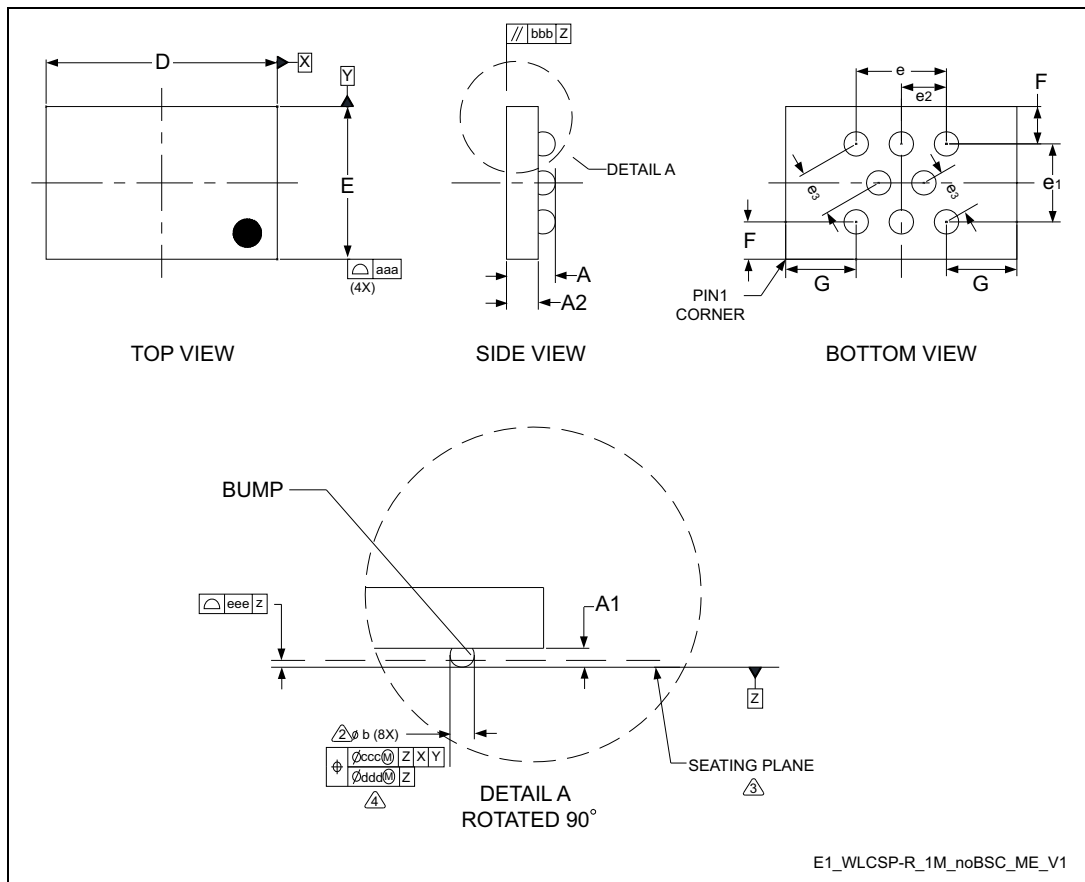
Figure 1.	WLCSP- 8-bump, without BSC, 2.578 x 1.716 mm, wafer level chip scale package outline	5
Figure 2.	D and E front side view	6
Figure 3.	D and E back side view	6
Figure 4.	D or E side view	7

1 M95M01-DF physical product change

There is not any physical product change.

Figure 1 shows the package outline.

Figure 1. WLCSP- 8-bump, without BSC, 2.578 x 1.716 mm, wafer level chip scale package outline



The figures below show the difference between D and E dimensions in the front side view (see Figure 2), back side view (see Figure 3) and side view (see Figure 4).

Figure 2. D and E front side view

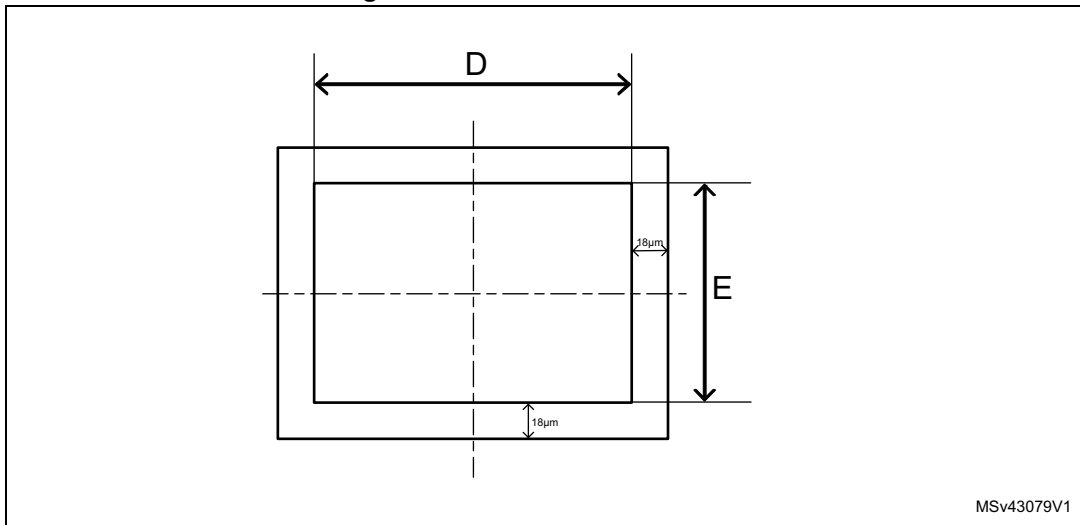


Figure 3. D and E back side view

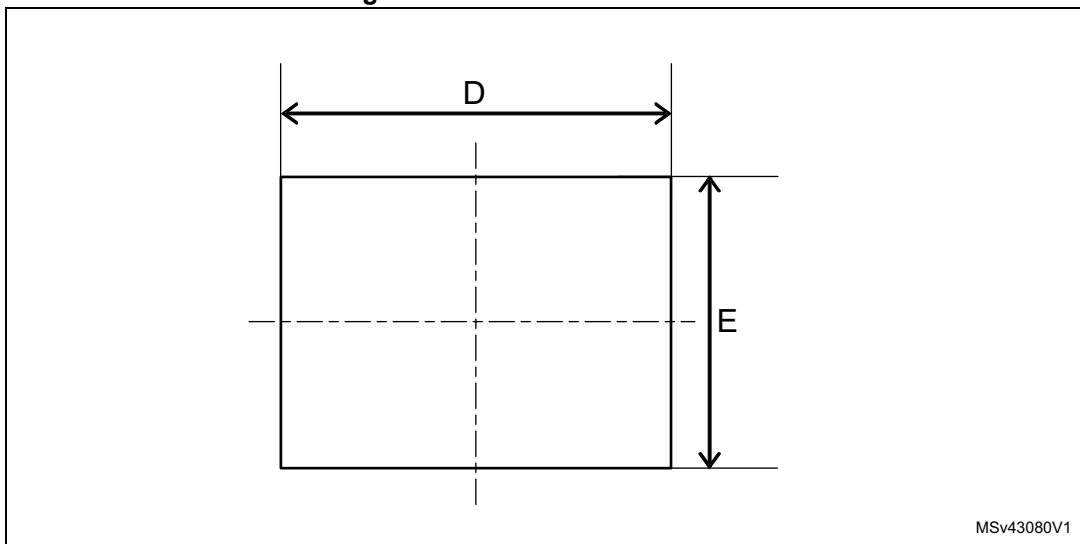
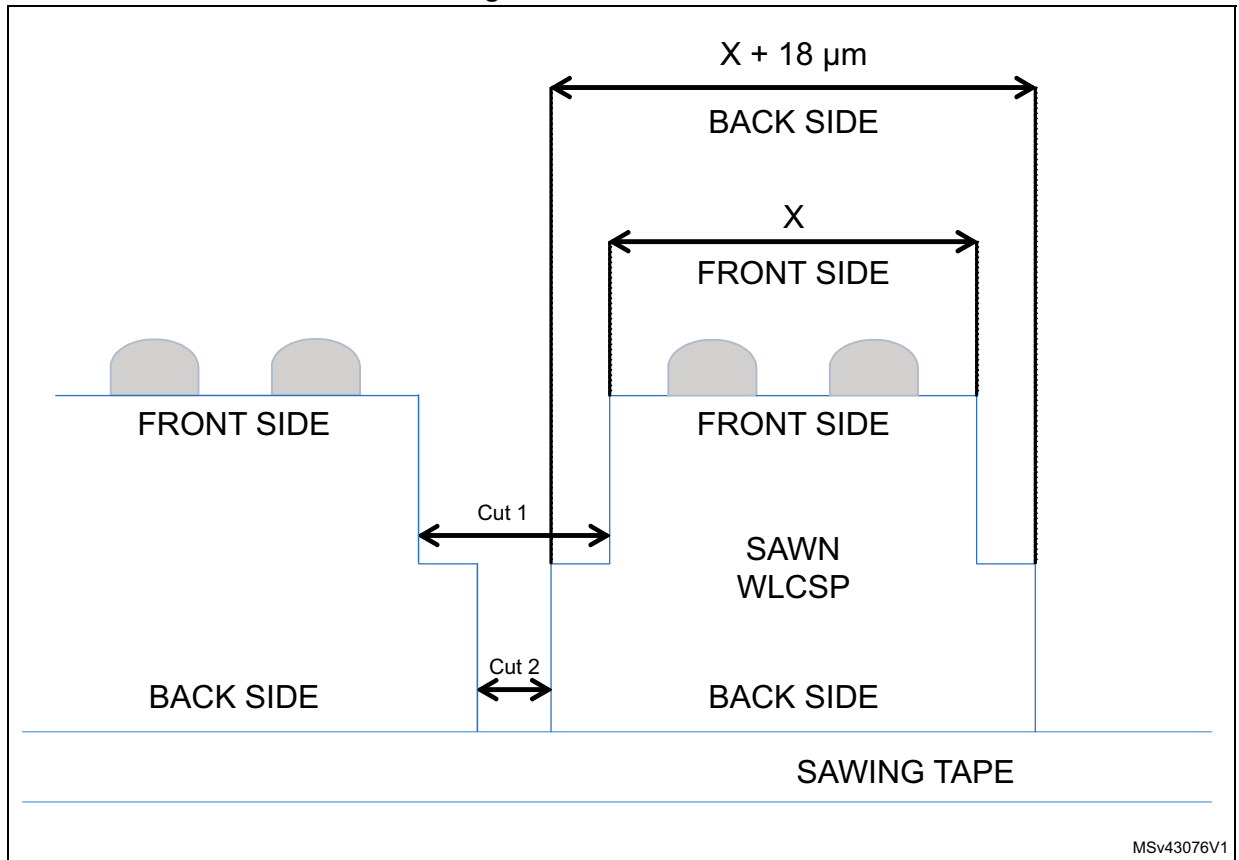


Figure 4. D or E side view



2 Package mechanical data modifications

This document refers to the changes in dimensions D and E (see [Figure 3](#)) described in the M95M01-DF datasheet, in tables detailing the dimensions of the WLCSP 8-bump package.

D and E values must be modified to correct the following mistake:

- The D and E values in the M95M01-DF datasheet correspond to front side view (ball side), instead of back side view (marking side view).
[Table 2](#) and [Table 3](#) report the data for the front and back view, respectively.

Table 2. D and E values corresponding to front side view

Symbol	Millimeters			Inches		
	Min	Typ	Max	Min	Typ	Max
D	-	2.560	2.580	-	0.1008	0.1016
E	-	1.698	1.718	-	0.0669	0.0676

Table 3. D and E values corresponding to back side view

Symbol	Millimeters			Inches		
	Min	Typ	Max	Min	Typ	Max
D	-	2.578	2.598	-	0.1015	0.1023
E	-	1.716	1.736	-	0.0676	0.0683

The difference between back side and front side dimension is 18 μm (0.018 mm). This difference is due to the two-step sawing process, where cut 1 and cut 2 are performed with blades having different thicknesses (see [Figure 4](#) in which X represents D or E and it has the same value and tolerance).

3 Revision history

Table 4. Document revision history

Date	Revision	Changes
07-Jul-2016	1	Initial release.
31-Aug-2016	2	Deleted M95M01-R.

IMPORTANT NOTICE – PLEASE READ CAREFULLY

STMicroelectronics NV and its subsidiaries ("ST") reserve the right to make changes, corrections, enhancements, modifications, and improvements to ST products and/or to this document at any time without notice. Purchasers should obtain the latest relevant information on ST products before placing orders. ST products are sold pursuant to ST's terms and conditions of sale in place at the time of order acknowledgement.

Purchasers are solely responsible for the choice, selection, and use of ST products and ST assumes no liability for application assistance or the design of Purchasers' products.

No license, express or implied, to any intellectual property right is granted by ST herein.

Resale of ST products with provisions different from the information set forth herein shall void any warranty granted by ST for such product.

ST and the ST logo are trademarks of ST. All other product or service names are the property of their respective owners.

Information in this document supersedes and replaces information previously supplied in any prior versions of this document.

© 2016 STMicroelectronics – All rights reserved